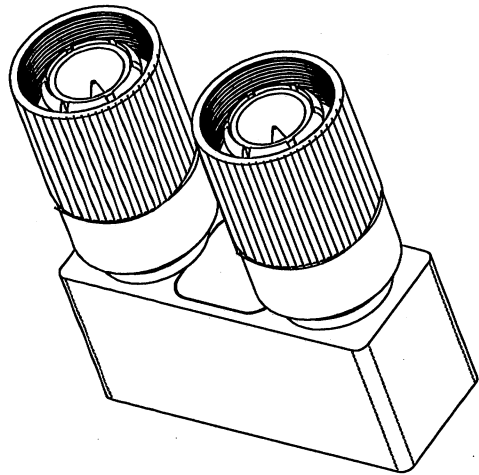


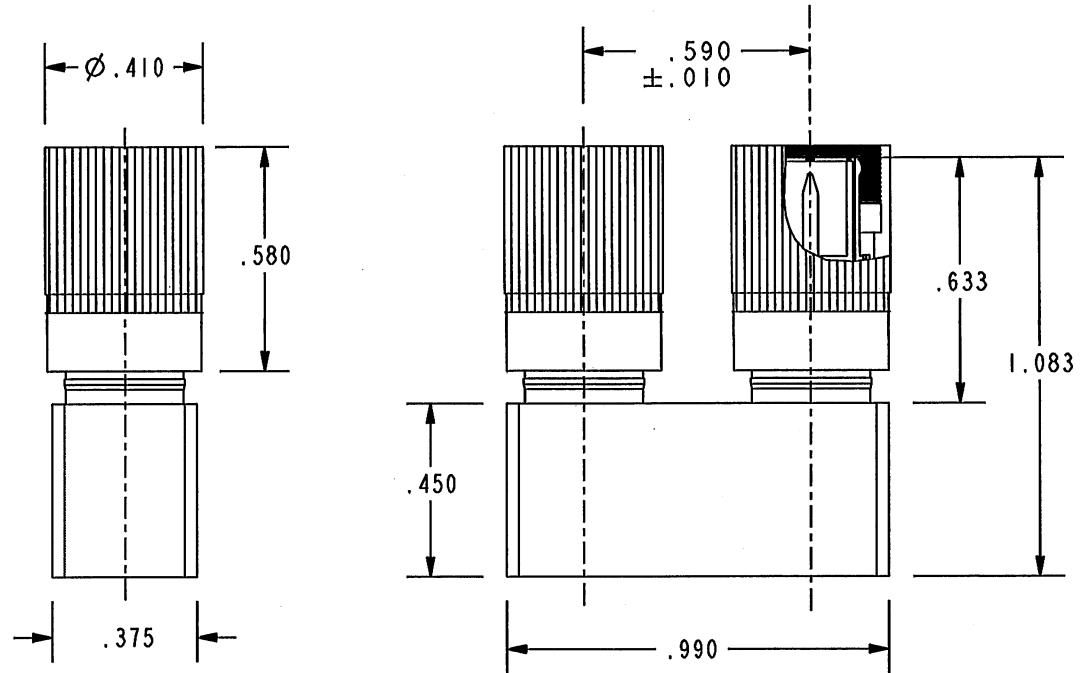
DATA CONTAINED IN THIS DOCUMENT IS PROPRIETARY TO TROMPETER ELECTRONICS INC. AND SHALL NOT BE DISCLOSED, COPIED OR USED FOR PROCUREMENT OR MANUFACTURE WITHOUT EXPRESS WRITTEN PERMISSION.

REVISIONS

REV	DESCRIPTIONS	DATE	APPROVED
C	REVISED PER ECO # 16101	3/31/06	JM



SCALE 2/1



SCALE 2/1

RED INDICATES ORIGINAL

3. DUAL COAXIAL DIN CONNECTOR "U-LINK" 75 OHM WITH TWO PLUGS BASED ON THE 169-13 SPECIFICATION
2. FINISH: TFS-1A (NICKEL) EXCEPT PIN CONTACT AND FINGER SPRING TFS-1B (GOLD)
1. ALL DIMENSIONS ARE IN INCHES

NOTES: UNLESS OTHERWISE SPECIFIED.

INTERPRET DRAWING PER MIL-STD-100. DIMENSIONS ARE IN INCHES AND INCLUDE FINISH THICKNESS UNLESS OTHERWISE SPECIFIED.		TOL: UNLESS SPECIFIED. .XX ± .02 .XXX ± .010 ANGLE ± 1°			
DRN J. CARPENTER CHK CJP MANUF J.M. APPROVED JM DATE 3/29/06	03-06-06 3-28-06	MATERIAL: FINISH:	TITLE: U-LINK		
NEXT ASSY	PROJE FILE NO. 105-1496	DO NOT SCALE DWG	SIZE A SCALE 2/1	CAGE CODE 14949 DATE 9-30-99	DRAWING NO. 105-1496 SHEET 1C