

SD

REVISIONS

ISSUE	CHANGES
0	ER 38394 HVN 09/11/01

3155-6-101

3155-6-101SD

SCALE 2:1

APPROX SURFACE AREA

WAS E-19941

USED ON

REF: COMMSCOPE

7-16 PLUG

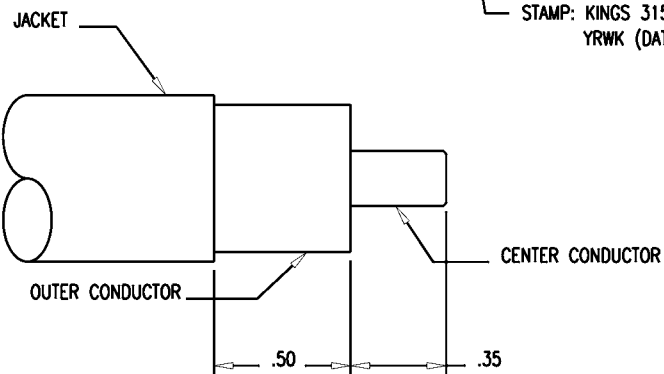
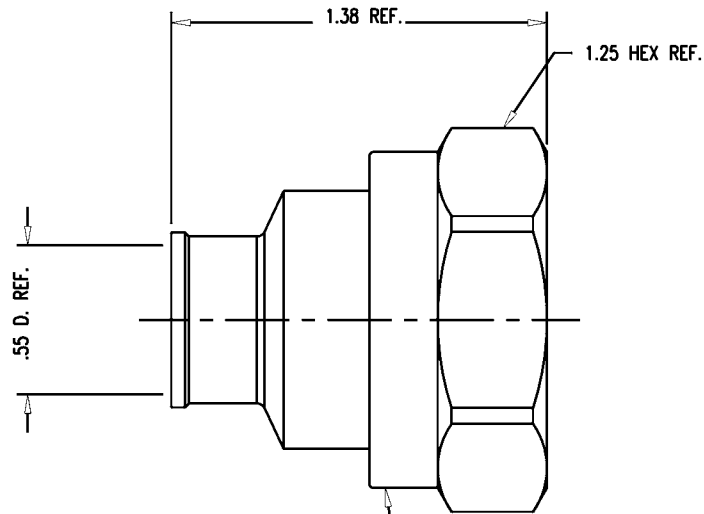
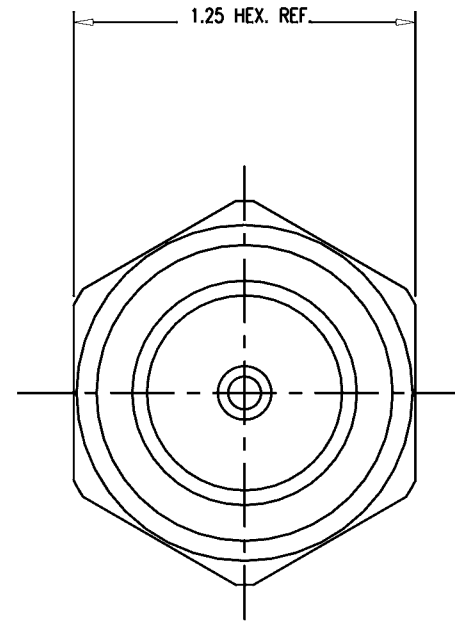
DRAWN HVN DATE 04/2

DESIGN LI DATE 04

APPR. DATE

KINGS
ELECTRONICS CO., INC.
ROCK HILL, SOUTH CAROLINA 29730

3155-6-101

PROPOSED TRIM DIM'SSTAMP: KINGS 3155-6-101
YRWK (DATE CODE)

NOTES:

- FOR USE WITH COMMSCOPE CR 50 540 PE CABLE.
- FOR CABLING INSTRUCTIONS SEE 3-692.
- INTERFACE PER IEC STANDARD 169-4 TYPE 7-16 MM, AS APPLICABLE.
- MATERIALS:
INSULATOR: TEFLON.
GASKET: SILICONE RUBBER.
ALL OTHER METAL PARTS: BRASS.
- FINISHES:
CENTER CONTACT: HARD GOLD PLATE.
COUPLING NUT: WHITE BRONZE PLATE.
ALL OTHER METAL PARTS: SILVER PLATE.
- ELECTRICAL CHARACTERISTICS:
NOMINAL IMPEDANCE: 50 OHMS
FREQUENCY RANGE: DC TO 6 GHz
WORKING VOLTAGE: 2700 VRMS
- MARK PACKAGE: KINGS 3155-6-101
YRWK (DATE CODE)
- COUPLING NUT, O-RING & CENTER CONTACT TO BE SUPPLIED UNASSEMBLED.

SD