

ELR 2+1- 24DC/500AC-37 - Solid-state contactor



2297277

<https://www.phoenixcontact.com/us/products/2297277>

Please be informed that the data shown in this PDF document is generated from our Online Catalog. Please find the complete data in the user documentation. Our General Terms of Use for Downloads are valid.



Three-phase solid-state contactor with 24 V DC input, 37 A output current, zero voltage switch, optionally with thermal fuse

Your advantages

- Optional thermal fuse
- Stable and short switching times
- Noise and wear-free switching
- Long service life
- High switching frequency
- Integrated protection circuit

Commercial Data

Item number	2297277
Packing unit	1 pc
Minimum order quantity	1 pc
Note	Made to Order (non-returnable)
Sales Key	C05
Product Key	CK7215
Catalog Page	Page 43 (C-5-2019)
GTIN	4046356175630
Weight per Piece (including packing)	1,801 g
Weight per Piece (excluding packing)	1,743 g
Customs tariff number	85364190
Country of origin	DE

Technical Data

Product properties

Product type	Solid-state contactor
Operating mode	100% operating factor

Electrical properties

Number of phases	3
Test voltage (Input/output)	5 kV _{rms} (50 Hz, 1 min., input/output)
Switching frequency	≤ 10 Hz

Insulation characteristics

Rated insulation voltage	500 V
Rated surge voltage	6 kV
Overvoltage category	III
Degree of pollution	2
Insulation characteristics between the control input voltage to the main circuit	Basic insulation

Input data

Control

Input name	Control input right/left
Rated actuating voltage U_C	24 V DC
Triggering voltage range	19.2 V DC ... 30 V DC
Voltage range with reference to U_C	0.8 ... 1.25
	0.8 ... 1.25
Rated actuating current I_C	8.3 mA
Switching threshold	9.6 V ("0" signal)
	19.2 V ("1" signal)
Protective circuit	Reverse polarity protection; Suppressor diode
	Surge protection
Error indication	Red LED
Status display	Yellow LED

Output data

AC output

Rated operating voltage U_e	500 V AC
Operating voltage range	48 V AC ... 575 V AC
Rated operating current at AC-51	37 A
Rated operating current at AC-53a	25 A
Peak offstate voltage	1200 V
Mains frequency	40 Hz ... 100 Hz
Load current range	200 mA ... 37 A (see to derating)

ELR 2+1- 24DC/500AC-37 - Solid-state contactor



2297277

<https://www.phoenixcontact.com/us/products/2297277>

Leakage current	6 mA
Residual voltage	< 1.5 V
Surge current	1300 A (t = 10 ms)
Max. load value	9000 A ² s
Protective circuit	RCV circuit
Surge voltage protection	> 575 V AC

Connection data

Control circuits

Connection method	Screw connection
Stripping length	8 mm
Screw thread	M3
Conductor cross section solid	0.2 mm ² ... 4 mm ²
Conductor cross section flexible	0.2 mm ² ... 2.5 mm ²
Conductor cross section AWG	24 ... 12
Tightening torque	0.5 Nm ... 0.6 Nm 5 lb _F -in. ... 7 lb _F -in.

Load circuit

Connection method	Screw connection
Stripping length	8 mm
Screw thread	M4
Conductor cross section solid	0.5 mm ² ... 16 mm ²
Conductor cross section flexible	0.5 mm ² ... 16 mm ²
Conductor cross section AWG	20 ... 6
Tightening torque	15 lb _F -in.

LED signaling

Status display	Yellow LED
Error indication	Red LED

Dimensions

Width	147.5 mm
Height	99 mm
Depth	114.5 mm

Environmental and real-life conditions

Ambient conditions

Degree of protection	IP20
Ambient temperature (operation)	-25 °C ... 70 °C
Ambient temperature (storage/transport)	-25 °C ... 70 °C

Approval data

UL approval

ELR 2+1- 24DC/500AC-37 - Solid-state contactor



2297277

<https://www.phoenixcontact.com/us/products/2297277>

Certificate	NMFT.E323771
	NRNT.E172140

UL data

SCCR	5 kA (50 A RK5 (standard fault) fuse)
FLA	16 A (at 500 V, AC Resistance)
	16 A (at 500 V, AC General USE)
	16 A (at 500 V, AC Resistance Air Heating)

Standards and regulations

Standards/regulations

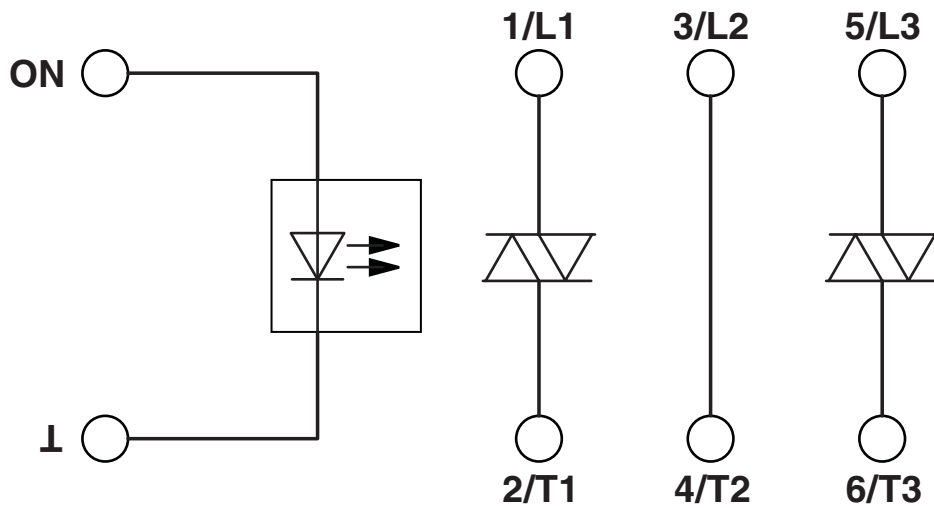
Standards/regulations	DIN EN 50178
	EN 60947

Mounting

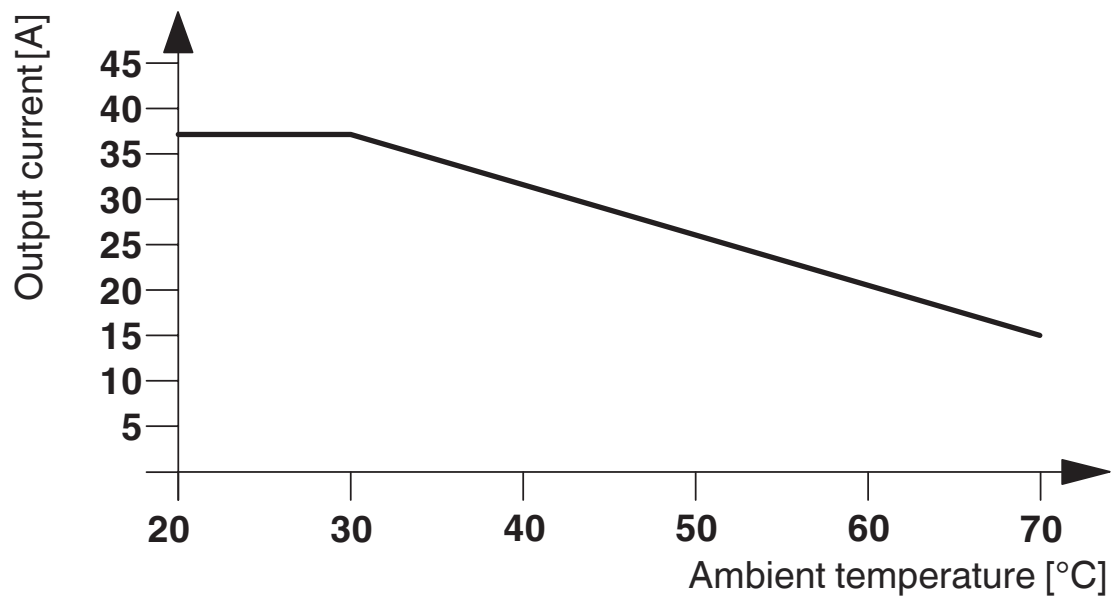
Mounting type	DIN rail mounting
Assembly instructions	Can be aligned with spacing = 40 mm
Mounting position	Vertical (horizontal DIN rail)

Drawings

Block diagram



Diagram



ELR 2+1- 24DC/500AC-37 - Solid-state contactor



2297277

<https://www.phoenixcontact.com/us/products/2297277>

Classifications

ECLASS

ECLASS-10.0.1	27371014
ECLASS-11.0	27371014

ETIM

ETIM 7.0	EC002055
----------	----------

UNSPSC

UNSPSC 21.0	39122333
-------------	----------

ELR 2+1- 24DC/500AC-37 - Solid-state contactor



2297277

<https://www.phoenixcontact.com/us/products/2297277>

Environmental Product Compliance

China RoHS	Environmentally Friendly Use Period = 50 years For information on hazardous substances, refer to the manufacturer's declaration available under "Downloads"
------------	--

Phoenix Contact 2023 © - all rights reserved
<https://www.phoenixcontact.com>

Phoenix Contact USA
586 Fulling Mill Road
Middletown, PA 17057, United States
(+717) 944-1300
info@phoenixcon.com