

**PLEASE CHECK WWW.MOLEX.COM FOR LATEST PART INFORMATION**

**Part Number:** [0733976120](#)  
**Status:** **Active**  
**Overview:** RF/Microwave Products  
**Description:** 50 Ohms, SSMB Jack, Right-Angle, PCB Mount

**Documents:**

[Drawing \(PDF\)](#) [RoHS Certificate of Compliance \(PDF\)](#)

**General**

Product Family	RF/Coax Connectors
Series	73397
Overview	RF/Microwave Products
Product Name	SSMB
Style	Cable
Type	Subminiature
UPC	884982111349
Wire/Cable Type	N/A

**Physical**

Gender	Jack
Keying to Mating Part	None
Orientation	Right Angle
PCB Mounting	Through Hole
Packaging Type	Tray
Panel Mount	Yes
Panel Mount Method	Bulkhead
Reverse Polar	No

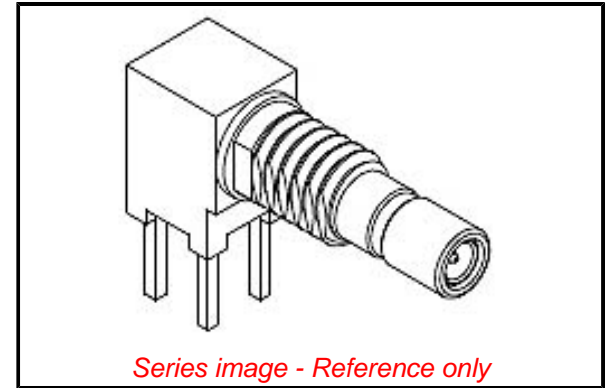
**Electrical**

Frequency	3 GHz
Impedance	50Ω
Power / Voltage	VOLTAGE: 250 Vrms@Sea Level

**Material Info**

**Reference - Drawing Numbers**

Sales Drawing	SD-73397-612
---------------	--------------



*Series image - Reference only*

**EU ELV**

**Not Reviewed**

**EU RoHS**

**Not Reviewed**

**REACH SVHC**

Not Reviewed

**Halogen-Free**

**Status**

**Not Reviewed**

For more information, please visit [Contact US](#)

China ROHS

Not Reviewed

ELV

Not Reviewed

RoHS Phthalates

Not Reviewed

**Search Parts in this Series**

[73397 Series](#)