

# LOW PROFILE SHIELDED SMD CHIP POWER INDUCTOR



3.0 x 3.0 x 1.5mm



**RoHS**  
Compliant

ASPI-0315FSSA

## FEATURES:

- Small size and low profile: 1.5mm
- Small DCR and high rated current
- High reliability to mechanical stress
- Magnetically shielded by magnetic powder molding
- Suitable for RoHS reflow profile

## APPLICATIONS:

- Mobile phones
- MP3 & 4 and other portable communication equipment
- Digital cameras.

## ELECTRICAL SPECIFICATIONS:

Abracon P/N:	ASPI-0315FSSA Series
Operating Temperature & Humidity:	-30°C to +100°C, 5% to 85% RH. Please avoid moisture due to the humidity.
Storage Temperature & Humidity:	-20°C to +60°C, 5% to 85% RH. Please avoid moisture due to the humidity.

Part Number	Inductance	DCR	Saturation Current	Temperature Rise Current	Marking
Units	$\mu\text{H}\pm 20\%$	$\text{m}\Omega\pm 20\%$	A	A	—
Symbol	L	DCR	$I_{\text{sat}}^*$	$I_{\text{rms}}^*$	—
ASPI-0315FSSA-2R2M	2.2	60	1.6	1.28	2R2
ASPI-0315FSSA-3R3M	3.3	80	1.3	1.18	3R3
ASPI-0315FSSA-4R7M	4.7	110	1.1	1.00	4R7
ASPI-0315FSSA-6R8M	6.8	160	1.0	0.85	6R8
ASPI-0315FSSA-100M	10.0	200	0.82	0.75	100
ASPI-0315FSSA-220M	22.0	500	0.56	0.47	220
ASPI-0315FSSA-330M	33.0	800	0.44	0.40	330
ASPI-0315FSSA-470M	47.0	1200	0.37	0.33	470

\*The rated current is subject to change depending upon the temperature cooling condition.

### Test Conditions

Inductance: 100kHz, 0.3V,  $T_a=20^\circ\text{C}$

DCR:  $T_a=20^\circ\text{C}$

$I_{\text{sat}}$ :  $\Delta L/L$  (initial)  $\geq -30\%$

$I_{\text{rms}}$ :  $\Delta T \leq 40^\circ\text{C}$

## OPTIONS AND PART IDENTIFICATION

ASPI-0315FSSA -  -

### Inductance Code

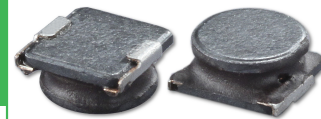
Please refer to the table above

### Packaging

T: Tape and Reel  
(1kpcs / reel)  
T4: Tape and Reel  
(4kpcs / reel)



# LOW PROFILE SHIELDED SMD CHIP POWER INDUCTOR



3.0 x 3.0 x 1.5mm

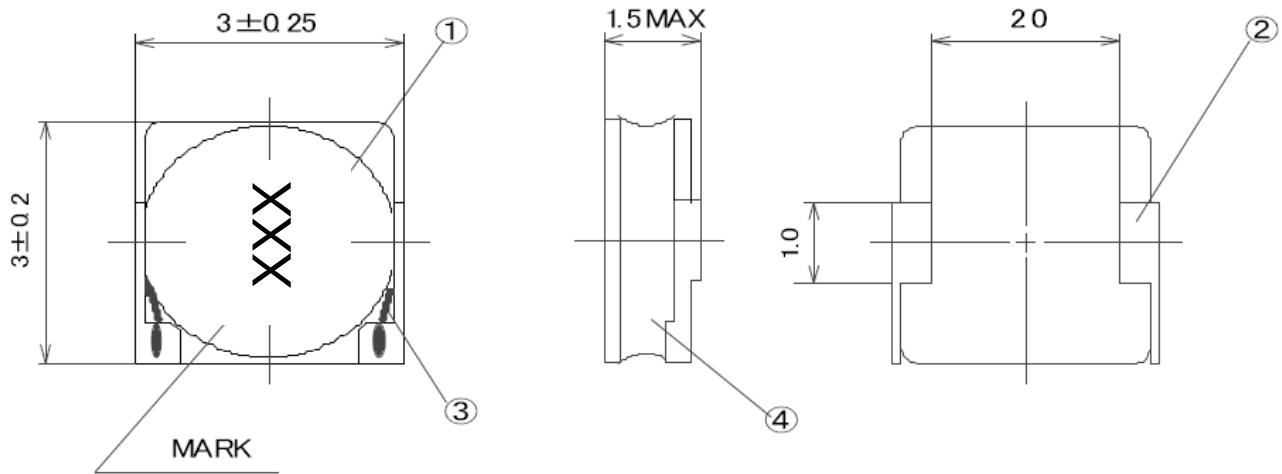


**RoHS**  
Compliant

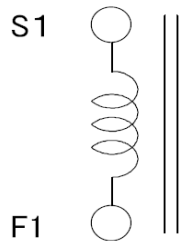
ASPI-0315FSSA

## OUTLINE DRAWING:

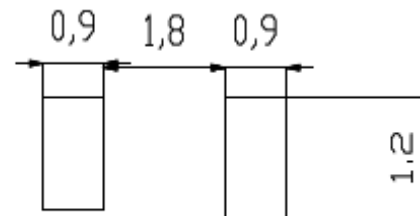
### Mechanical Dimensions



### Circuit Schematic



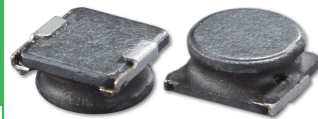
### Recommended Land Pattern



No	Part Name	Material
1	Drum core	Ni-Zn Ferrite
2	Terminals	Copper alloy, Sn
3	Coil	Cu/UEW
4	Adhesive	Epoxy base resin
	Magnetic powder	Ni-Zn Ferrite

Dimension: mm

# LOW PROFILE SHIELDED SMD CHIP POWER INDUCTOR



3.0 x 3.0 x 1.5mm

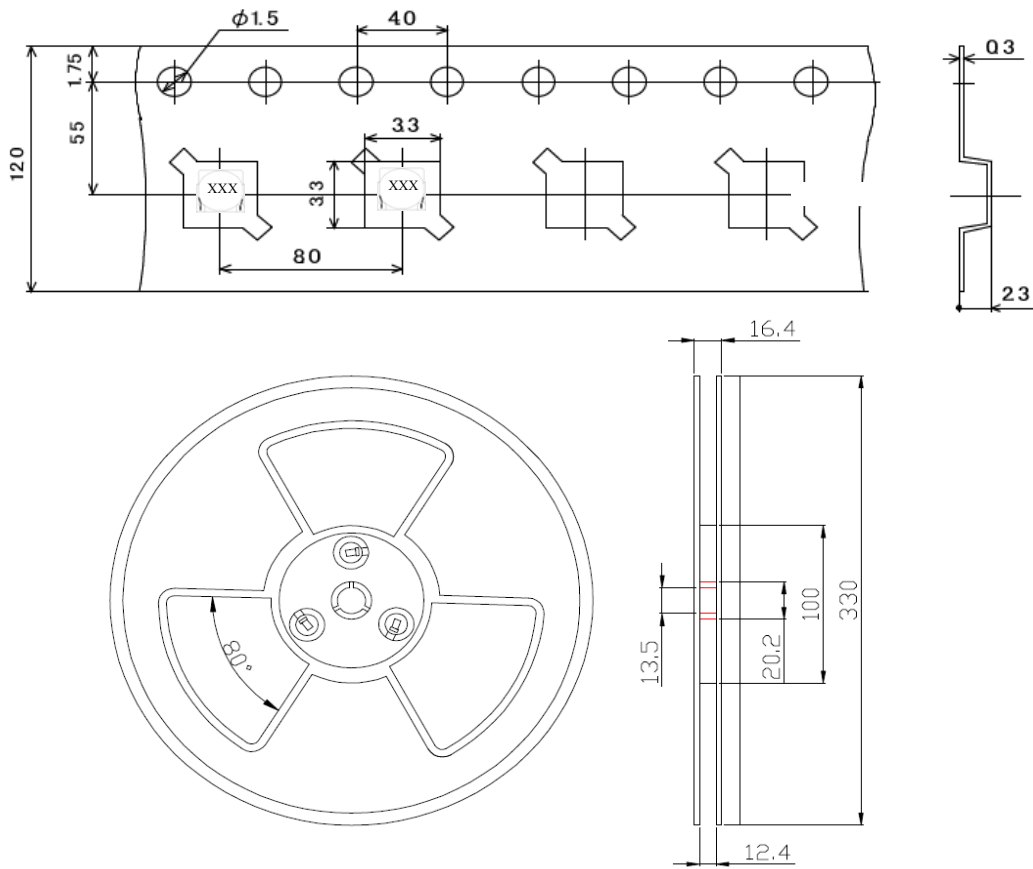
ASPI-0315FSSA



**RoHS**  
Compliant

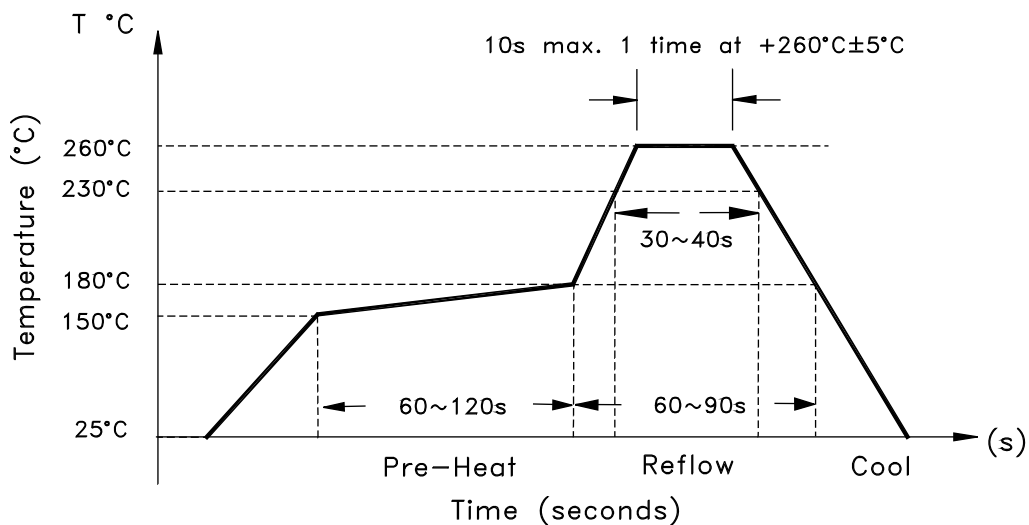
## TAPE & REEL:

T: 1,000pcs / reel  
T4: 4,000pcs / reel



Dimension: mm

## REFLOW PROFILE:



**ATTENTION:** Abracon Corporation's products are COTS – Commercial-Off-The-Shelf products; suitable for Commercial, Industrial and, where designated, Automotive Applications. Abracon's products are not specifically designed for Military, Aviation, Aerospace, Life-dependant Medical applications or any application requiring high reliability where component failure could result in loss of life and/or property. For applications requiring high reliability and/or presenting an extreme operating environment, written consent and authorization from Abracon Corporation is required. Please contact Abracon Corporation for more information.

ABRACON IS  
ISO9001:2008  
CERTIFIED



Visit [www.abracon.com](http://www.abracon.com) for Terms & Conditions of Sale **Revised: 08.31.10**  
30332 Esperanza, Rancho Santa Margarita, California 92688  
tel 949-546-8000 | fax 949-546-8001 | [www.abracon.com](http://www.abracon.com)