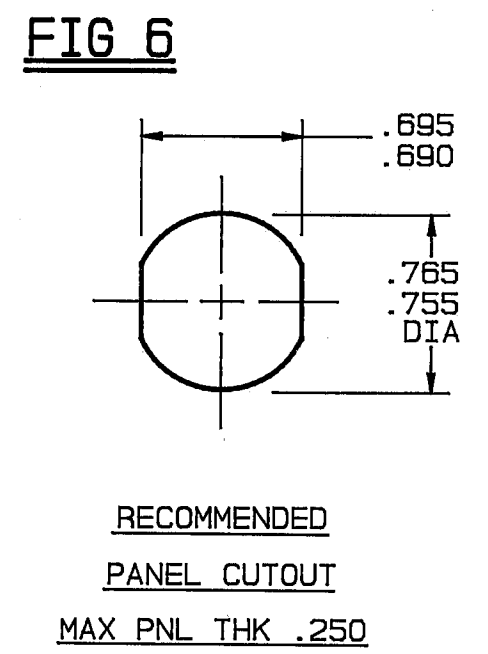
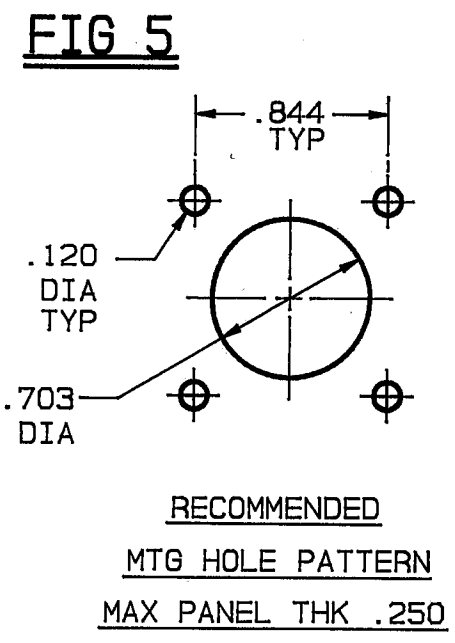
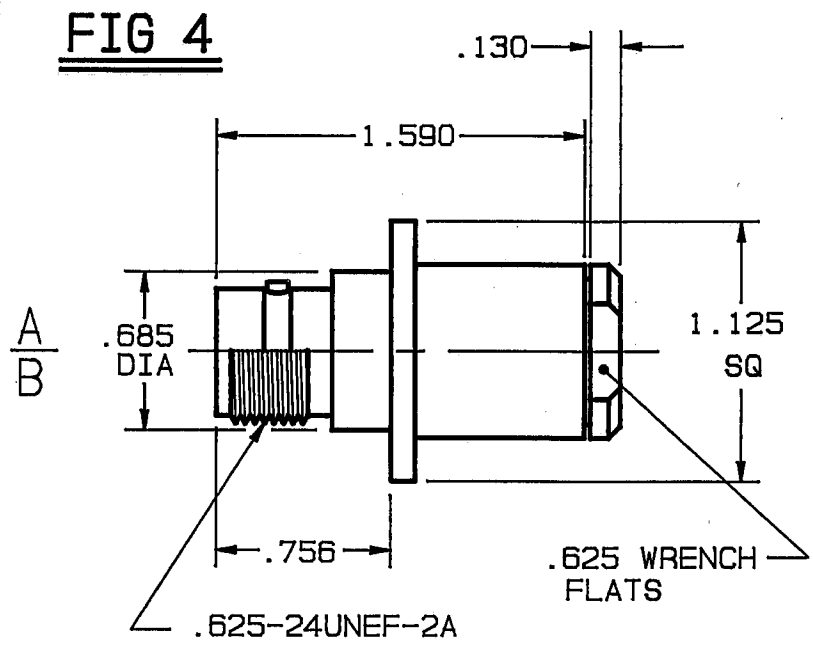
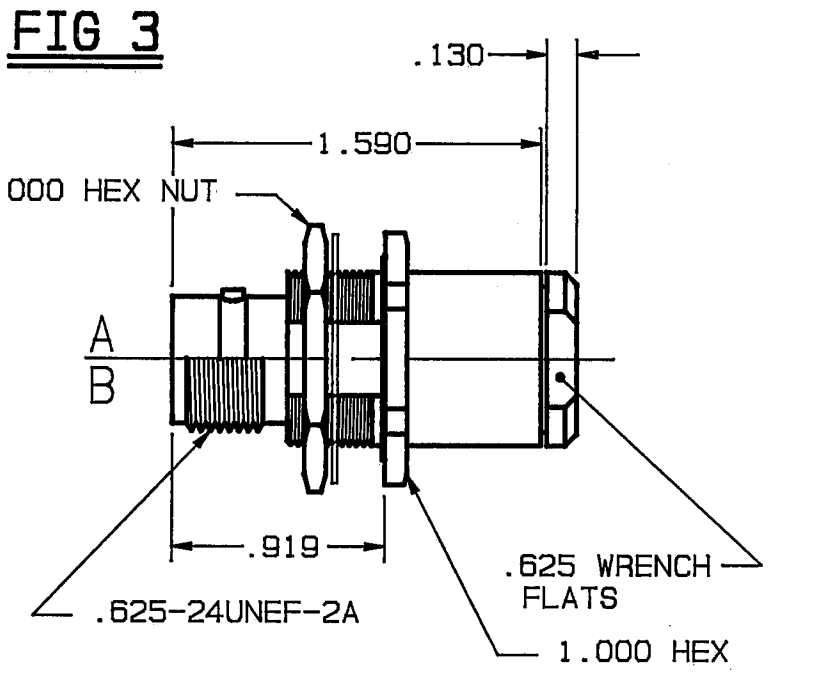
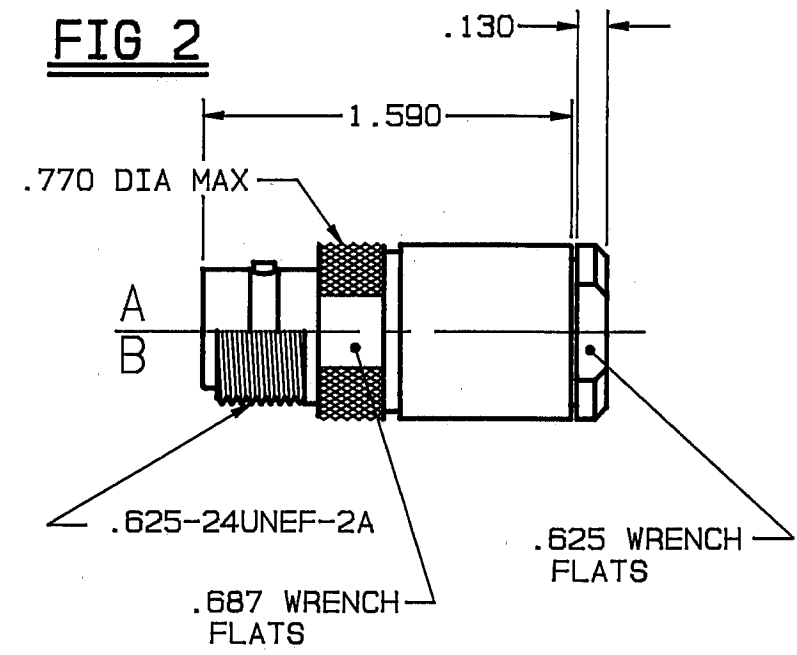
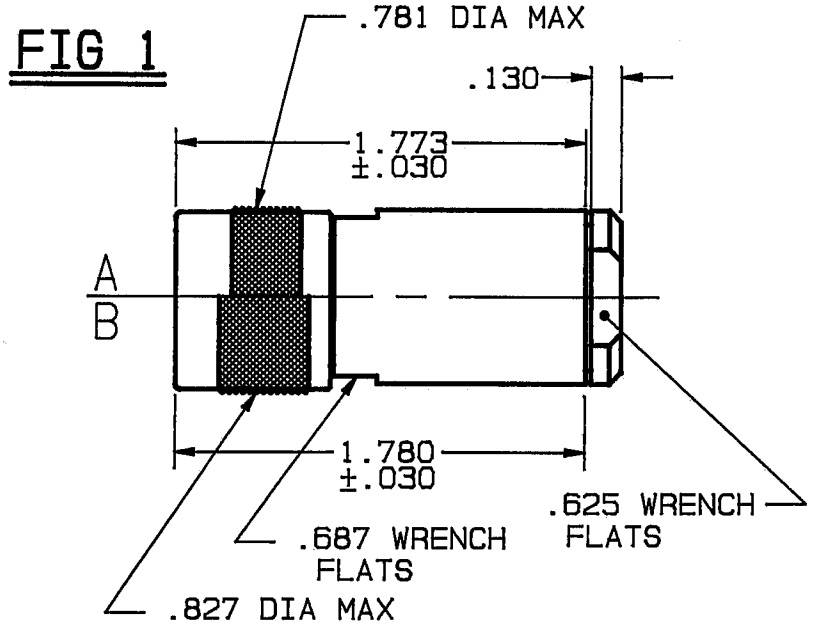


DASH NO	CONNECTOR TYPE	MATERIAL ⁴	ASSEMBLE PER	FIG	MTG HOLE FIG
-1	PL80	1-0156-14A	TAI-175	1A	—
-2	CJ80	1-0152-14A		2A	—
-3	BJ89	3-0035-14A		3A	6
-4	BJ89F	305-0039-14A		4A	5
-5	PL803	3-0106-14A		1A	—
-6	CJ803	3-0111-14A		2A	—
-7	BJ893	3-0263-14A		3A	6
-8	BJ893F	3-0107-14A		4A	5
-9	PL380	3-0103-14A		1B	—
-10	CJ380	3-0216-14A		2B	—
-11	BJ389	3-0264-14A		3B	6
-12	BJ389F	3-0261-14A		4B	5



- ⁴ REPLACE 8-1935-14A CLAMP NUT WITH 305-0822-101 CLAMP NUT
3. CONCENTRIC TWINAX/TRIAX "C" STYLE 2-LUG, 3-LUG AND THREADED PLUG/RECEPTACLE/BULKHEAD MT/FLANGE MT RECEPTACLE FOR HUGHES NO. 723583-1 (M17-135-00001 TYPE TRIAX) CABLE
2. FINISH: TFS-1A (NICKEL)
1. ALL DIM ARE IN INCHES

QTY	DESCRIPTION	PART NUMBER	ITEM
TOL UNLESS SPECIFIED .XX ± .XXX ±.005 .XXXX ± ANGLES ±		TROMPETER ELECTRONICS, INC.	
		"80" SERIES-723583-1	
DWN	AAH 2-10-92	MATERIAL	CODE IDENT
CHK	BIM 2-10-92		14949
ENGR	DAP 2-13-92	DRAWING NO.	305-0822
APPR	[Signature] 2-14-92	SCALE	DATE 2-14-92
NEXT ASSY			SHEET 1 OF 2