

FEATURES

40-Pin Hybrid
Tachogenerator Velocity Output
User Selectable Resolution
DC Error Output
Sub LSB Output
Angle Offset Input
Reference Frequency of 2kHz to 10kHz
Logic Outputs for Extension Pitch Counter

APPLICATIONS

Numerical Control of Machine Tools
Feed Forward Velocity Stabilizing Loops
Robotics
Closed Loop Motor Drives
Brushless Tachometry
Single Board Controllers

GENERAL DESCRIPTION

The 1S74 is a hybrid device that converts standard resolver inputs to digital position and analog velocity outputs. All the essential features of multiturn or multipitch operation are included for numerically controlled machine tool and velocity feedback applications.

Typically, the input signal would be obtained from a brushless resolver and the resolver/converter combination gives a parallel absolute angular output word similar to that provided by an absolute encoder. The ratiometric conversion principle of the 1S74 ensures high noise immunity and tolerance of lead length when the converter is at a distance from the resolver.

In conjunction with the IPA1764 preamplifier, the 1S74 is also suitable for use with Inductosyn®.

The output word is in three-state digital logic form with a high and low byte enable input so that the converter can communicate with an 8- or 16-bit digital highway.

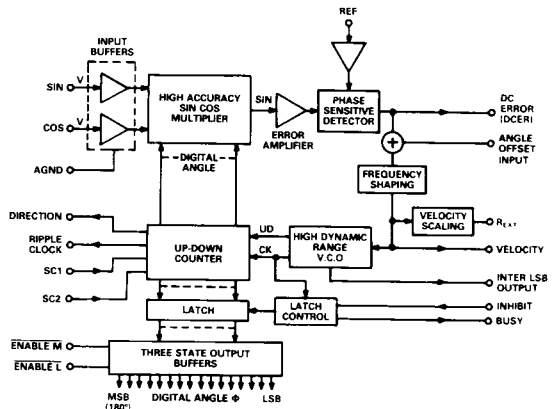
A unique feature of the converter is its internally generated tachogenerator velocity output offering a linear voltage-speed relationship. Only one external resistor is required to scale the velocity output to the user's chosen volts/rpm relationship.

Repeatability is 1LSB under constant temperature conditions.

The resolution of the 1S74 converter is user selectable by means of applying a specific binary code to two of the converter's pins.

Four resolutions can be selected, all operating over a frequency range of 2kHz to 10kHz.

10 bit up to 40,800 revolutions per minute.
 12 bit up to 10,200 revolutions per minute.
 14 bit up to 2,550 revolutions per minute.
 16 bit up to 630 revolutions per minute.

FUNCTIONAL BLOCK DIAGRAM

3
APPLICATIONS

The 1S74 has been designed for motor position control in the CNC, robotic and military fields. The use of a type 2 tracking servo loop circuit with high inherent noise immunity, makes the product ideally suited to these applications.

USER BENEFITS

Allows both velocity and position measurement from a single, low cost, standard, brushless resolver.

80dB dynamic range of velocity output.

0.5% ripple on velocity signal.

0.1% linearity of velocity signal.

Cost effective tachogenerator/encoder replacement.

Tracks at 5 to 10 times the rate of equivalent resolution encoders.

Analog output for interpolation between digital codes.

Direction and Ripple Clock (Datum) outputs facilitate revolution counting.

Hybrid construction offering small size and MTBF of >200 years at 50°C GB.

MIL operating temperature range and spec. options available.

1S74—SPECIFICATIONS (typical for both commercial (5Y0) and extended (4Y0) temperature range options @ +25°C and ±12V power supplies, unless noted.)

Resolution	10 Bits	12 Bits	14 Bits	16 Bits	Units
RESOLVER INPUTS					
Signal Voltage	2.0 (± 5%)	*	*	*	V rms
Reference Voltage	2.0 (+ 50% - 20%)	*	*	*	V rms
Signal & Reference Frequency	2k - 10k	*	*	*	Hz
Signal Input Impedance	10 (min)	*	*	*	MΩ
Reference Input Impedance	125	*	*	*	kΩ
Allowable Phase Shift (Signal to Reference)	± 10	*	*	*	Degrees
POSITION OUTPUT					
Resolution	10	12	14	16	Bits
1LSB	0.35	0.088	0.022	0.0055	Degrees
Accuracy (maximum error over temperature range)					
5Y0	± 25.0 (0.42) ± 0.12	± 8.5 (0.14) ± 0.04	± 5.3 (0.09) ± 0.025	± 4.0 (0.07) ± 0.019	arc-mins (degrees) % F. S.
4Y0	± 25.0 (0.42) ± 0.12	± 8.5 (0.14) ± 0.04	± 5.3 (0.09) ± 0.025	± 2.6 (0.04) ± 0.012	arc-mins (degrees) % F. S.
Digital Position Output Format	Parallel natural binary	*	*	*	
Load	6 (max)	*	*	*	LSTTL
Monotonicity	Guaranteed	*	*	*	
Repeatability	1	*	*	*	LSB
DATA TRANSFER					
Busy Output	Logic "Hi" when busy	*	*	*	
Load	6 (max)	*	*	*	LSTTL
Busy Width	380 (min) 530 (max)	*	*	*	ns
ENABLE INPUTS					
	Logic "Lo" to enable	*	*	*	
Load	1	*	*	*	LSTTL
Enable & Disable Times	250 (max)	*	*	*	ns
INHIBIT INPUT					
	Logic "Lo" to inhibit	*	*	*	
Load	1	*	*	*	LSTTL
Direction Output (DIR)	Logic "Hi" when counting up, logic "Lo" when counting down.				
Load	6 (max)	*	*	*	LSTTL
Ripple Clock (RC)	Negative pulse indicating when internal counters change from all "1's" to all "0's" or vice versa.				
Load	6 (max)	*	*	*	LSTTL
Width	1μ (max) 850n (min)	*	*	*	secs
DYNAMIC CHARACTERISTICS					
Tracking Rate					
with ± 15V Supplies	40,800 (min)	10,200 (min)	2,550 (min)	630 (min)	rpm
with ± 12V Supplies	34,680 (min)	8,670 (min)	2,168 (min)	536 (min)	rpm
Acceleration Constant					
K _a	220,000	*	*	*	sec ⁻²
Settling Time (179° step input)	25 (max)	35 (max)	60 (max)	120 (max)	ms
Bandwidth	230	*	*	*	Hz
VELOCITY OUTPUT					
Polarity	Positive for increasing angle	*	*	*	
Tachogenerator Voltage Scaling	0.25	1.00	4	16	V/K rpm
Scale Factor Accuracy	± 1 (max)	*	*	*	% of output
Scale Factor Tempco	200 (max)	*	*	*	ppm/°C
Reversion Error	± 0.2 (max)	*	*	*	%
Reversion Error Tempco	50 (max)	*	*	*	ppm/°C
Linearity	0.1	*	*	*	% of output
Over Full Temperature Range	0.25 (max)	*	*	*	% of output
Ripple and Noise					
Steady State (200Hz B/W)	100	150	300	1300	μV rms
Dynamic Ripple (av-pk)	0.5 (max)	*	*	*	% of output
Zero Offset	± 500	*	*	*	μV
Zero Offset Tempco	50 (max)	*	*	*	μV/°C
Output Load	5 (min)	*	*	*	KΩ

Resolution	10 Bits	12 Bits	14 Bits	16 Bits	Units
SPECIAL FUNCTIONS					
dc Error Output Voltage	450	*	*	*	mV/deg
Inter LSB Output Load	$\pm 1 (\pm 20\%)$	*	*	*	V/LSB
Angle Offset Input (over operating temperature range)	1k (min)	*	*	*	Ω
Maximum Input	$320 (\pm 10\%)$	*	*	*	nA/LSB
	32	*	*	*	LSB
POWER REQUIREMENTS					
Power Supplies					
$\pm V_S$	$\pm 15 (\pm 5\%)$ or $\pm 12 (\pm 5\%)$	*	*	*	V dc
+5V	+4.75 to +5.25	*	*	*	V dc
Power Supply Consumption					
+ V_S	30 (max)	*	*	*	mA
- V_S	30 (max)	*	*	*	mA
+5V	125 (max)	*	*	*	mA
Power Dissipation	1.5 (max)	*	*	*	W
TEMPERATURE RANGE					
Operating 5YO Option	0 to +70	*	*	*	$^{\circ}\text{C}$
4YO Option	-55 to +125	*	*	*	$^{\circ}\text{C}$
Storage 5YO Option	-55 to +125	*	*	*	$^{\circ}\text{C}$
4YO Option	-60 to +150	*	*	*	$^{\circ}\text{C}$
DIMENSIONS					
5YO Option	$2.1 \times 1.1 \times 0.195$ ($53.5 \times 28 \times 4.95$)	*	*	*	Inches (mm)
4YO Option	$2.14 \times 1.14 \times 0.18$ ($54.5 \times 29 \times 4.6$)	*	*	*	Inches (mm)
WEIGHT	1 (28)	*	*	*	oz. (grams)

Specifications subject to change without notice.

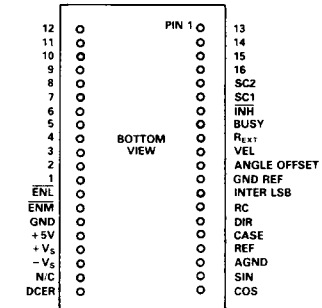
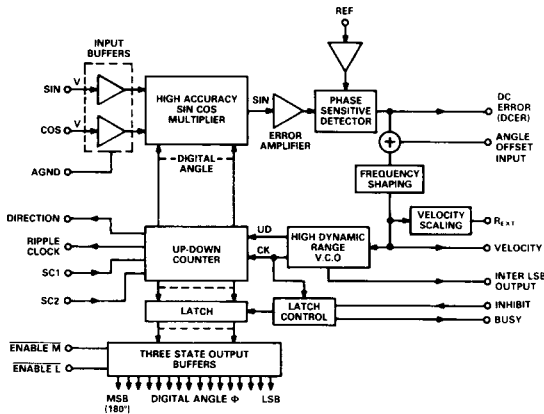
ABSOLUTE MAXIMUM INPUTS (with respect to GND)

+ V_S^1	0V to +17V dc
- V_S^1	0V to -17V dc
+5V ²	0V to +6.0V dc
Reference	$\pm 17V$ dc
Sine	$\pm 17V$ dc
Cosine	$\pm 17V$ dc
Any Logical Input	-0.4V to +5.5V dc

CAUTION:

1. Correct polarity voltages must be maintained on the + V_S and - V_S pins.
2. The +5 volt power supply must *never* go below GND potential.

FUNCTIONAL DIAGRAM



- NOTES
 1. "R_{EXT}" SHOULD BE CONNECTED TO "VEL" FOR UNITY GAIN
 2. CASE PIN CONNECTED ON 460 OPTION ONLY

OPERATION OF THE CONVERTER

The 1S74 is a tracking converter, this means that the output automatically follows the input for speeds up to the maximum tracking rate for the resolution option. No convert command is necessary as the conversion is initiated by each LSB increment of the input. Each LSB increment of the converter initiates a BUSY pulse.

POSITION OUTPUT

The resolver shaft position is represented at the converter output by a natural binary parallel digital word.

The static angular accuracy quoted for each converter type is the worst case error that can occur over the full operating temperature range with the following input conditions:

- a) Signal input amplitudes within 5% of the nominal values.
- b) Signal and reference frequency within the specified operating range.
- c) Phase shift between signal and reference less than 10 degrees.
- d) Signal and reference waveform harmonic distortion less than 10 percent.

These test conditions are selected primarily to establish a repeatable acceptance test procedure which can be traced to national standards. In practice, the converters can be used well outside these operating conditions providing the following points are observed.

SIGNAL AMPLITUDE (SINE AND COSINE INPUTS)

The amplitude of the signal inputs should be maintained within 5% of the nominal values if full performance is required from the analog outputs and inputs of the converter such as velocity, inter LSB position and angle offset.

The digital position output is relatively insensitive to amplitude variation. Increasing the input signal levels by more than 10% will result in a dramatic loss in accuracy due to internal overload. Reducing level will result in a steady decline in accuracy. With the signal levels at 50% of the correct value the angular error will increase by an amount equivalent to 1.3LSB. At this level the repeatability will also degrade to 2LSB and the dynamic response will also change, since the K_a is proportional to signal level.

SIGNAL AND REFERENCE FREQUENCY

Any frequency within the specified range of the converter may be used. It should be noted that the signal and reference input voltages must be in resolver format.

REFERENCE VOLTAGE LEVEL

The amplitude and waveform of the reference signal applied to the converter's input is not critical, however it is essential that the zero crossing points are maintained in the correct place to drive the converter's phase sensitive detector.

HARMONIC DISTORTION

The amount of harmonic distortion allowable on the signal and reference lines mainly depends on the type of transducer being used.

Square and triangle waveforms can be used but the input levels should be adjusted so that the average value after rectification is 1.9 volts. (For example – a square wave should be 1.9V peak.)

NOTE: The figure specified of 10% harmonic distortion is for calibration convenience only.

PHASE SHIFT (BETWEEN SIGNAL AND REFERENCE)

See Section on "Dynamic Accuracy vs. Resolver Phase Shift".

RESOLUTION PROGRAMMING

The 1S74 converter can be programmed for resolutions of 10, 12, 14, and 16 bit by applying a binary code to the pins "SC1" and "SC2".

The dc error output and maximum revolutions per minute for full scale are scaled internally according to the particular resolution selected.

Table I gives the binary code, dc error output and maximum tracking rate for the resolutions available.

Resolution	Binary Code SC1	SC2	DC Error (mV/Bit)	Tracking Rate for FS (± 10V) rpm
10 Bit	0	0	160	40,800
12 Bit	0	1	40	10,200
14 Bit	1	0	10	2,550
16 Bit	1	1	2.5	630

Table I.

NOTE: When changing resolution under dynamic conditions, a period of uncertainty will exist before position and velocity data is valid.

For more information ask for the relevant application note.

1S74

It should be noted that when operating at low tracking rates it is critical to maintain the signal input voltage at its nominal value in order to keep the noise level on the velocity signal to an absolute minimum. The effect of variation in signal voltage at low tracking rates is to produce low energy spikes on the velocity output on the rising edge of the BUSY pulse. The amplitude of these spikes will be in the region of 30µV per percent variation in signal input voltage level.

NOTE: The velocity signal output and max tracking rate derates by 15% (max) for operation with ±12 volt power supplies.

SPECIAL FUNCTIONS

DC ERROR: The signal at the output of the phase sensitive detector is the input to the internal nulling loop and hence is proportional to the error between the input angle and the output digital angle. As the converters are a type 2 servo loop, this DC ERROR signal will increase if the output angle fails to track the input for any reason. It is therefore an indication that the input has exceeded the maximum tracking rate of the converter, or due to some internal malfunction, the converter is unable to reach a null. By the use of two external comparators this voltage can be used as a "built in test".

INTER LSB OUTPUT: In order to overcome the "free play" inherent in a servo system using digitized position feedback, an analog output voltage is available representing the resolver shaft position within the least significant bit of the digital angle output.

The output is therefore proportional to the inter LSB resolved position with a maximum output representing 1LSB.

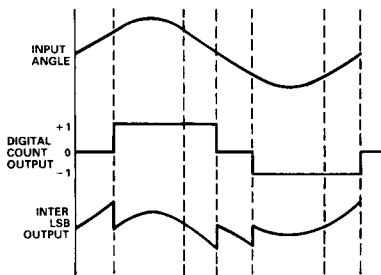


Figure 3.

Figure 3 illustrates how the INTER LSB output compensates for the instances where, due to hysteresis, there is no change in the digital count output for 1LSB change in input angle. The sum of the digital count output and INTER LSB output equals the actual input angle.

ANGLE OFFSET: A unique feature of the 1S74 converter is the angle offset input which allows the user to electrically "rotate" the input shaft of the resolver.

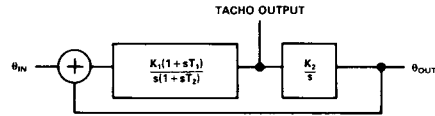
Injecting a current of 320nA into the angle offset input pin will offset the digital output of the converter by 1LSB relative to the angle defined by the resolver inputs. It is recommended that an

offset equivalent to no greater than 30LSB's be applied to this input.

This input is a virtual ground, therefore a current source can be generated by a voltage source connected by a single resistor.

DYNAMIC PERFORMANCE

The transfer function of the converter is given below:



Positional Transfer Function:

$$\frac{\theta_{OUT}}{\theta_{IN}} = \frac{K_1 K_2}{s^2} \cdot \frac{1 + sT_1}{1 + sT_2} \text{ open loop}$$

$$\frac{\theta_{OUT}}{\theta_{IN}} = \frac{1 + sT_1}{1 + sT_1 + \frac{s^2}{K_1 K_2} + \frac{s^3 T_2}{K_1 K_2}} \text{ closed loop}$$

where $K_1 K_2 = K_a$

Tachogenerator Transfer Function:

$$\frac{\text{Tachogenerator Output}}{\theta_{IN}} = \frac{K_1(1 + sT_1)}{s(1 + sT_2)} \text{ open loop}$$

$$\frac{\text{Tachogenerator Output}}{\theta_{IN}} = \frac{s(1 + sT_1)}{K_2(1 + sT_1) + \frac{s^2}{K_1} + \frac{s^3 T_2}{K_1}} \text{ closed loop}$$

- Where:
- $K_1 = 3.23$
 - $K_2 = 68.2 \times 10^3$
 - $K_a = 220 \times 10^3$
 - $T_1 = 4.46\text{ms}$
 - $T_2 = 0.21\text{ms}$

Refer: Figures 4 and 5

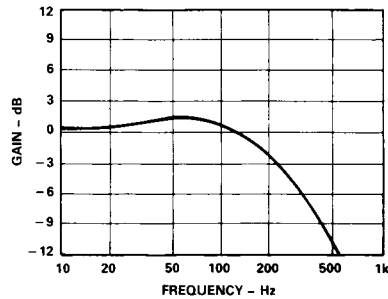


Figure 4. Gain Plot

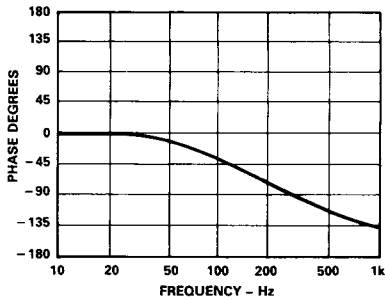


Figure 5. Phase Plot

DYNAMIC ACCURACY VS. RESOLVER PHASE SHIFT

Under static operating conditions phase shift between signal and reference lines theoretically does not affect the converter's static accuracy:

However, when rotating, most resolvers, particularly those of the brushless type, exhibit a phase shift between the signal and the reference. This phase shift will give rise under dynamic conditions, to an additional error defined by:

$$\frac{\text{SHAFT SPEED (RPS)} \times \text{Phase Shift (DEGS)}}{\text{Reference Frequency}}$$

For example, for a phase shift of 20° , a shaft rotation of 22rps and a reference frequency of 5kHz, the converter will exhibit an additional error of:

$$\frac{20 \times 22}{5000} = 0.088^\circ$$

This effect can be eliminated by putting a phase shift in the reference to the converter equivalent to the phase shift in the resolver.

NOTE: Capacitive and inductive crosstalk in the signal and reference leads and wiring can cause similar problems.

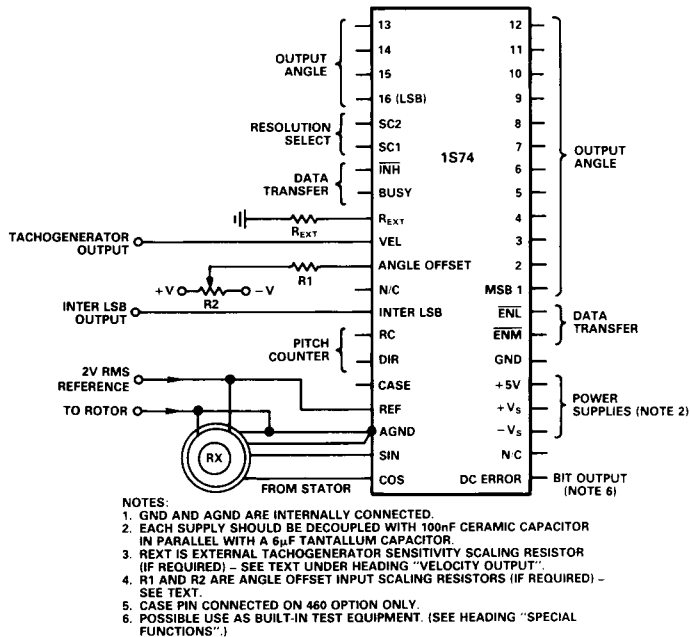


Figure 6. Electrical Connections

CONNECTING THE CONVERTER

The electrical connection of the converter is straight-forward.

The power supply voltages connected to $+V_s$ and $-V_s$ pins can be $\pm 12\text{V}$ to $\pm 15\text{V}$ but must not be reversed. The $+5\text{V}$ supply connects to the $+5\text{V}$ pin and should not be allowed to become negative with respect to the GND pin.

It is suggested that decoupling capacitors are connected in parallel between the power lines ($+V_s$, $-V_s$ and $+5\text{V}$) and GND adjacent to the converter.

When more than one converter is used on a card, then separate decoupling capacitors should be used for each converter.

The converter has some H/F decoupling provided internally, as well as input protection on the signal and reference inputs.

The resolver connections are made to the sine and cosine inputs, reference and analog ground as shown in the electrical connection diagram (Figure 6). The 2V rms reference supply, which can be provided by the OSC1758 oscillator, should be connected to the resolver rotor.

1S74

PROCESSING FOR HIGH RELIABILITY

STANDARD PROCESSING

As part of the standard manufacturing procedure, all converters receive the following processing:

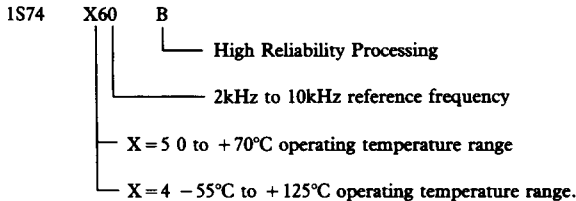
Process	Condition
1. Pre-Cap Visual Inspection	In-House Criteria
2. Burn-In	70°C
3. Constant Acceleration	5000G
4. Gross Leak Test	In-House Criteria
5. Final Electrical Test	Performed at 25°C

HI-REL PROCESSING

All models ordered to high reliability requirements will be identified with a B suffix, and will have received the following processing:

1. Internal visual inspection
2. Stabilization bake, 24 hours at 150°C
3. Temperature cycling, -65°C to +150°C
4. Constant acceleration, 5000g
5. Powered burn-in, 160 hours at 125°C
6. Final electrical test at T_{min} and T_{max}
7. Seal test, fine and gross
8. External visual inspection

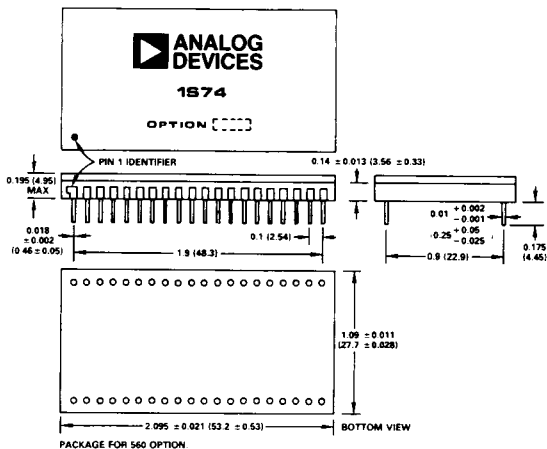
ORDERING INFORMATION



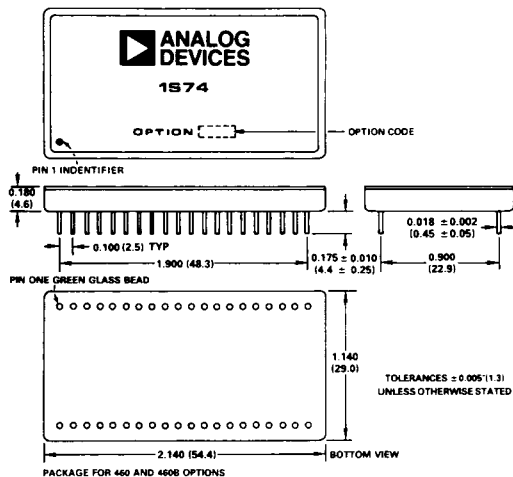
OUTLINE DIMENSIONS

Dimensions Shown in inches and (mm).

PACKAGE FOR 560 OPTION



PACKAGE FOR 460 AND 460B OPTIONS



OTHER PRODUCTS

1S14/1S24/1S44/1S64 -	10-, 12-, 14- and 16-Bit Hybrid Resolver-to-Digital Converters with High Specification Tachometer Output.
1S10/1S20/1S40/1S60/1S61 -	10-, 12-, 14- and two 16-Bit Inductosyn™/Resolver-to-Digital Converters (Hybrid)
IRDC1732 -	Inductosyn™/Resolver-to-Digital Converter (Hybrid), Low Cost
IPA1751 -	Inductosyn™ Pre-Amplifier
OSC1754 -	Power Oscillator
OSC1758 -	Power Oscillator (Hybrid)
IPA1764 -	Inductosyn™ Pre-Amplifier (Hybrid)
MCI1794 -	3 Channel Inductosyn™/Resolver-to-Digital Converter (Multibus Compatible Card)

Inductosyn™ is a registered trademark of Farrand Industries, Inc.