

PART NUMBER: 308DER2R5XZP



SUPERCAPACITOR
Parts are RoHS compliant

ELECTRICAL SPECIFICATIONS

Capacitance: 3000 F
 Temperature range: -25°C to +70°C
 ESR (AC): 0.4 Ohms at 1 kHz and 20°C
 ESR (DC): 0.47 Ohms at DC and 20°C
 Weight: 623.8 grams
 Maximum stored energy: 2.6042 Watt hours
 Maximum Current: 3750 Amps (1 second discharge to 1/2 the rated voltage)
 Operating Current: 750 Amps (5 sec discharge to 1/2 rated voltage)
 Leakage Current: 1500 mA after 72 hours

Tolerance: -10 % , +20 %
 WVDC: 2.5 Volts DC
 SVDC: 2.7 Volts DC
 Volume: 452.39 mL

SPECIFIC ENERGY

Gravimetric Density: 4.1747 Wh/kg
 Volumetric Density: 5.7565 Wh/l

Load Life: 1000 hours at 70°C with 100% of rated voltage applied
 Max Capacitance change: ≤30% of initially measured value
 ESR change: ≤200% of maximum specified value

SPECIFIC POWER

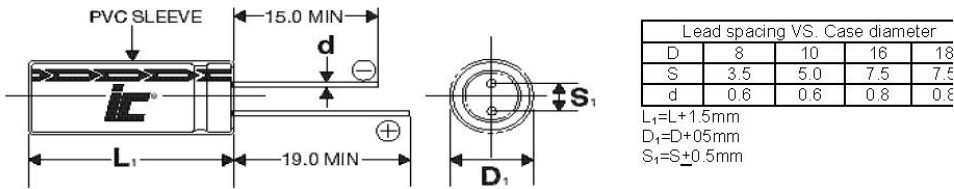
Gravimetric Density: 2.558 kW/kg
 Volumetric Density: 180474.47 kW/l

PHYSICAL DIMENSIONS

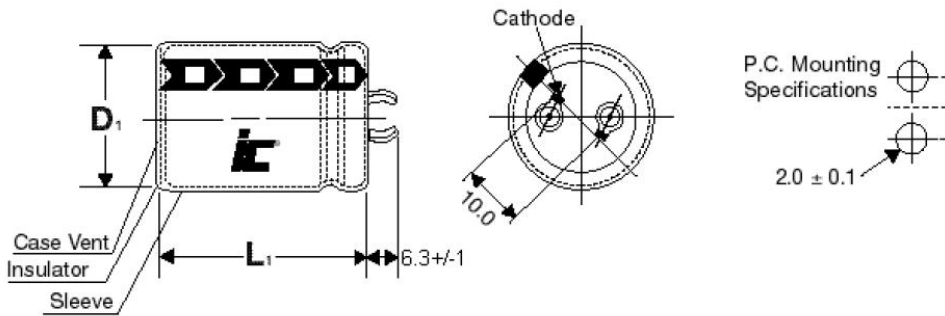
Diameter (D): 60 mm, +/- 1 mm
 Length (L): 160 mm, +/- 3 mm
 Height (H): mm, +/- mm
 Thickness (T): mm, +/- mm
 Termination Finish: Matte Tin

Lead Spacing (S): mm, +/- mm
 Lead Diameter (d): mm, +/- mm
 Lead Length (LL): mm, +/- mm

D= 8 to 18mm



D= 22 to 35mm



1200 to 3000F capacitors

