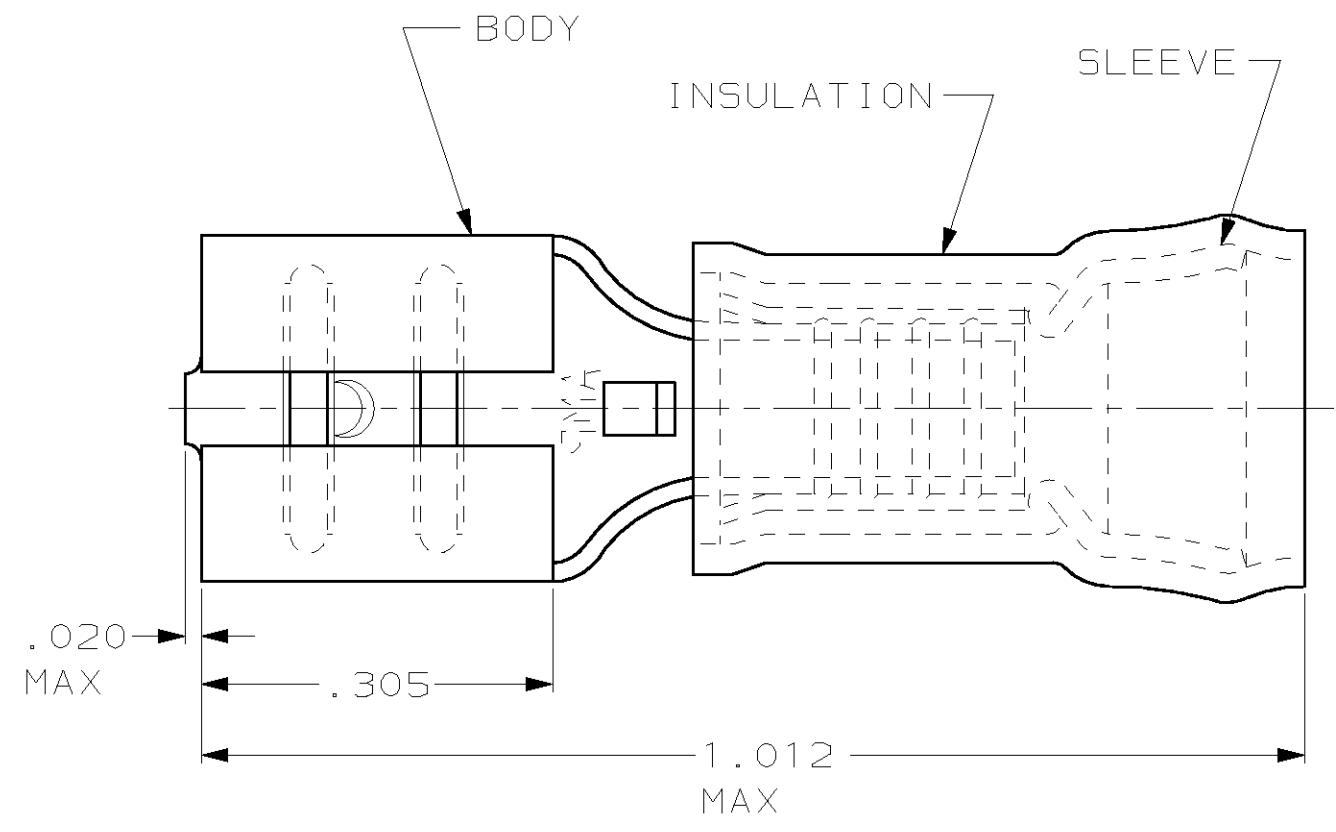
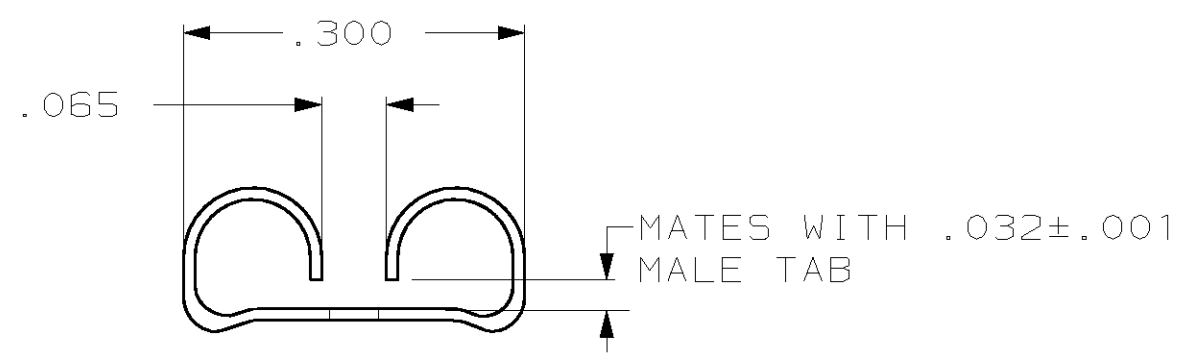


THIS DRAWING IS UNPUBLISHED. RELEASED FOR PUBLICATION ,19 .  
 © COPYRIGHT 19 BY AMP INCORPORATED. ALL RIGHTS RESERVED.

LOC		DIST		REVISIONS			
P	LTR	DESCRIPTION		DATE	DWN	APVD	
G	14	Y		REV PER 0G3A-0649-01	03DEC01	JR	TM



1. FOR .250 MAX INSULATION DIA
2. MAX WIRE LIMITED TO 6,470 CMA



**OBSOLETE**

MATERIAL	QTY	PACKAGE TYPE	PART NO
PHOS BRONZE QQ-B-750	50	LOOSE PIECE, BOX	9-42844-2
BRASS MIL-C-50	100	LOOSE PIECE, BOX	8-42844-1
BRASS MIL-C-50	2500	ON TAPE, REEL	42844-3
PHOS BRONZE QQ-B-750	-	LOOSE PIECE	42844-2
BRASS MIL-C-50	-	LOOSE PIECE	42844-1

AMP INCORPORATED CUSTOMER SERVICE SYSTEM	
FOR ADDITIONAL PRODUCT INFORMATION OR COPIES OF DRAWINGS AND TECHNICAL DOCUMENTS	PRODUCT INFORMATION CENTER 1-800-522-6752
FOR APPLICATION TOOLING INFORMATION	TOOLING ASSISTANCE CENTER 1-800-722-1111
FOR ORDER ENTRY	1-800-526-5142

MAX RECOMMENDED OPERATING TEMPERATURE: -
VOLTAGE RATING: -
CIRCULAR MIL AREA: -

THIS DRAWING IS A CONTROLLED DOCUMENT FOR AMP INCORPORATED. IT IS SUBJECT TO CHANGE AND THE CONTROLLING ENGINEERING ORGANIZATION SHOULD BE CONTACTED FOR THE LATEST REVISION.	
DIMENSIONS, INCHES	TOLERANCES UNLESS OTHERWISE SPECIFIED:
	0 PLC ±-
	1 PLC ±-
	2 PLC ±0.38 [.015]
	3 PLC ±-
	4 PLC ANGLES ±-
MATERIAL BODY, SEE TABLE INSUL, NYLON, COLOR, GREEN	FINISH BODY, TIN PLATE PER MIL-T-10727

DWN L OLMEDA	26 JUN 95
CHK M ELLIS	26 JUN 95
APVD B BARE	26 JUN 95
PRODUCT SPEC	-
APPLICATION SPEC	-
WEIGHT	-

**AMP** AMP Incorporated  
Harrisburg, PA 17105-3608

NAME RECEPTACLE, 250 SERIES, FASTON™, PIDG™, WIRE SIZE, 14-12 AWG

SIZE A3 CAGE CODE 00779 DRAWING NO C-42844

CUSTOMER DRAWING SCALE 6:1 SHEET 1 OF 1 REV Y