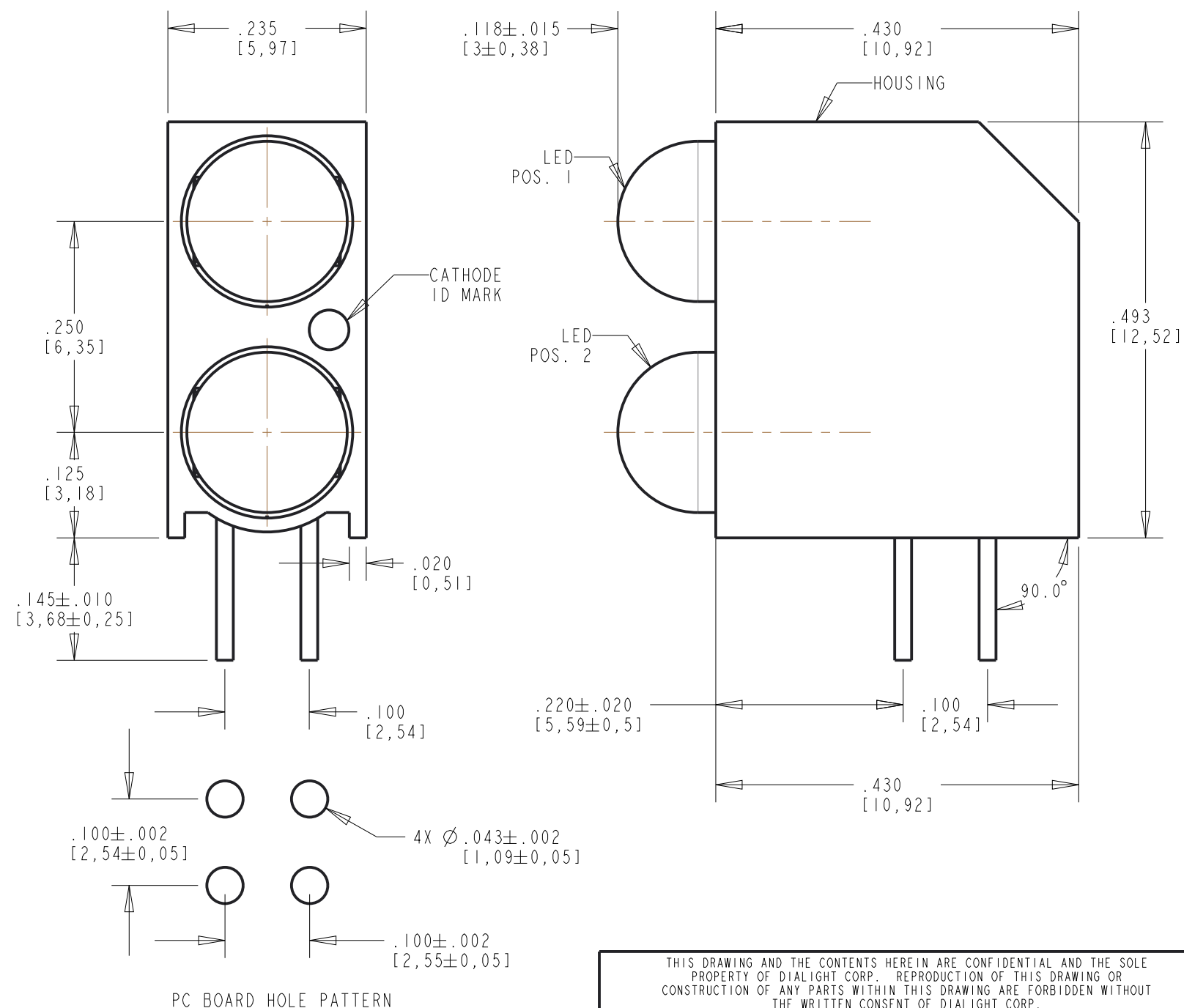


DIALIGHT NUMBER	POSITION 1	POSITION 2
552-0110F	RED DIFFUSED	**BLANK**
552-0111F	RED DIFFUSED	RED DIFFUSED
552-0112F	RED DIFFUSED	GREEN DIFFUSED
552-0113F	RED DIFFUSED	YELLOW DIFFUSED
552-0120F	GREEN DIFFUSED	**BLANK**
552-0121F	RED DIFFUSED	GREEN DIFFUSED
552-0122F	GREEN DIFFUSED	GREEN DIFFUSED
552-0123F	YELLOW DIFFUSED	GREEN DIFFUSED
552-0131F	RED DIFFUSED	YELLOW DIFFUSED
552-0132F	YELLOW DIFFUSED	GREEN DIFFUSED
552-0133F	YELLOW DIFFUSED	YELLOW DIFFUSED

REV	ECN NO	REVISIONS	DRN	CKD	APP	DATE
A	—	NEW RELEASE	ALV			
B	96288	P/N 552-0110F, 552-0120F POS 2 CHANGED TO BLANK	LD	CS		8-10-22

LENS COLOR	PEAK EMISSION WAVELENGTH (nm)	VIEW ANGLE (°) 2θ 1/2	CAPACITANCE (pF); V _F = 0; f: 1MHZ	LUMINOUS INTENSITY (mcd) I _F = 20 mA 25°C		FORWARD VOLTAGE (V) I _F = 20 mA 25°C		REVERSE CURRENT (μA): 25°C
			TYP	MIN	TYP	TYP	MAX	MAX
RED	635	60	20	3.5	12.3	2.0	2.8	100 @ V _R = 5V
YELLOW	585	60	16	3.5	12.3	2.1	2.8	100 @ V _R = 5V
GREEN	565	60	35	3.5	12.3	2.1	2.8	100 @ V _R = 5V

ABSOLUTE MAXIMUM RATINGS AT 25°C AMBIENT				UNITS
	RED	YELLOW	GREEN	
POWER DISSIPATION	80	60	100	mW
CONTINUOUS FORWARD CURRENT	40	20	30	mA
PEAK FORWARD CURRENT (1/10 DUTY CYCLE, 0.1 ms PULSE WIDTH)	200	80	120	mA
DERATING LINEAR FROM 25°C	0.5	0.25	0.4	mA/°C
REVERSE VOLTAGE	50			V
SOLDERING TEMPERATURE (.063 IN FROM BODY)	260°C FOR 5 SEC			
OPERATING TEMPERATURE	-55 TO +100			°C
STORAGE TEMPERATURE	-55 TO +100			°C



NOTES:

1. ALL DIMENSIONS ARE IN INCHES [MILIMETERS].
2. LED LEAD DIMENSIONS SHOWN AND MESURED AT HOUSING EXIT.
3. FOR DIALIGHT PART NUMBER: 552-01XXF .
4. ATTENTION: OBSERVE PRECAUTIONS FOR HANDLING ELECTROSTATIC SENSITIVE DEVICES. FOR EYE SAFETY DO NOT STARE DIRECTLY INTO THE LIGHT BEAM OF THESE LED DEVICES AT CLOSE RANGE.



ATTENTION:
OBSERVE PRECAUTIONS FOR
HANDLING ELECTROSTATIC
SENSITIVE DEVICES

THIS DRAWING AND THE CONTENTS HEREIN ARE CONFIDENTIAL AND THE SOLE PROPERTY OF DIALIGHT CORP. REPRODUCTION OF THIS DRAWING OR CONSTRUCTION OF ANY PARTS WITHIN THIS DRAWING ARE FORBIDDEN WITHOUT THE WRITTEN CONSENT OF DIALIGHT CORP.

SCALE: 4.000	DRAWING NUMBER	REV
ALL DIM'S: INCH (mm)	C-17534	B
TOLERANCES: UNLESS OTHERWISE SPECIFIED	TITLE	
FRACTIONS: ±1/64 DECIMALS (.XX): ±.01 DECIMALS (.XXX): ±.005 DECIMALS (.XXXX): ±.0005 ANGLES: ±1°	5MM BI-LEVEL CBI	
FINISH	MATERIAL	
FSCM 83330	 1501 ROUTE 34 SOUTH FARMINGDALE, NJ 07727 (732) 919-3119 www.dialight.com	
	SHEET 1 OF 1	FAMILY TABLE: