

AN5837, AN5838

TV Sound MPX Remote Control Circuits

■ Outline

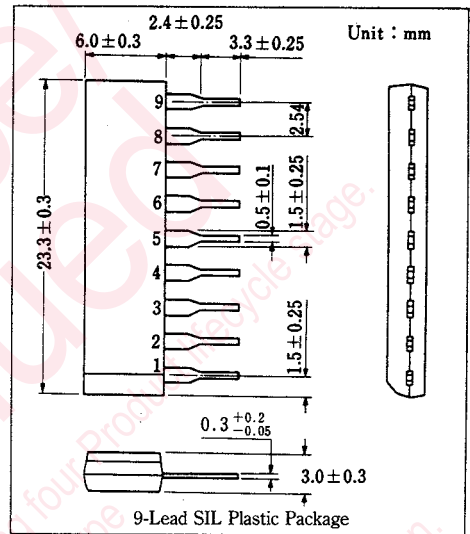
The AN5837 and the AN5838 are integrated circuits designed for which the mode for receiving TV sound multiplex broadcast is switched through remote control or by using soft touch switches. They are used together with sound multiplex demodulator IC's the AN5825 and the AN5826N.

■ Features

- Soft touch switches for switching four kinds of mode...Main, Sub, Main+Sub and Mono
- LED drive circuit is included;each mode switches on one of four LEDs
- Main mode is selected when power is switched on
- Supply of signal pulse from remote control circuit switching mode

AN5837...Main↔Sub

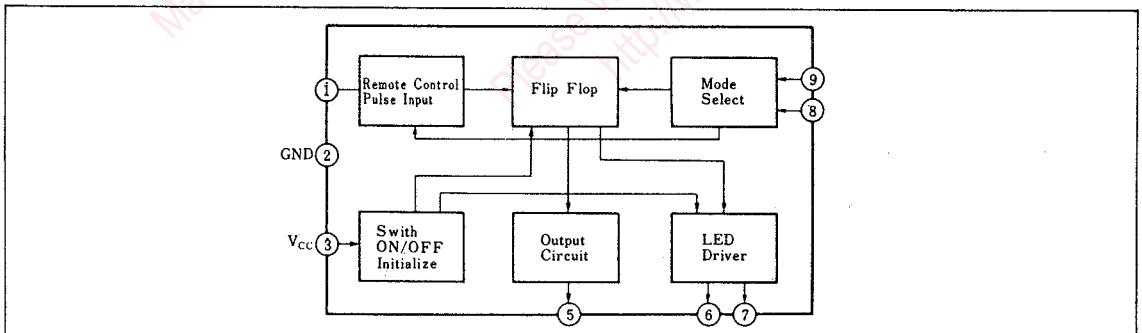
AN5838...Main→Sub→Main+Sub→Mono



■ Pin

Pin No.	Pin Name
1	Remote Control Pulse Input
2	GND
3	V _{cc}
4	NC
5	Output
6	LED (1)
7	LED (2)
8	Mode Select (1)
9	Mode Select (2)

■ Block Diagram



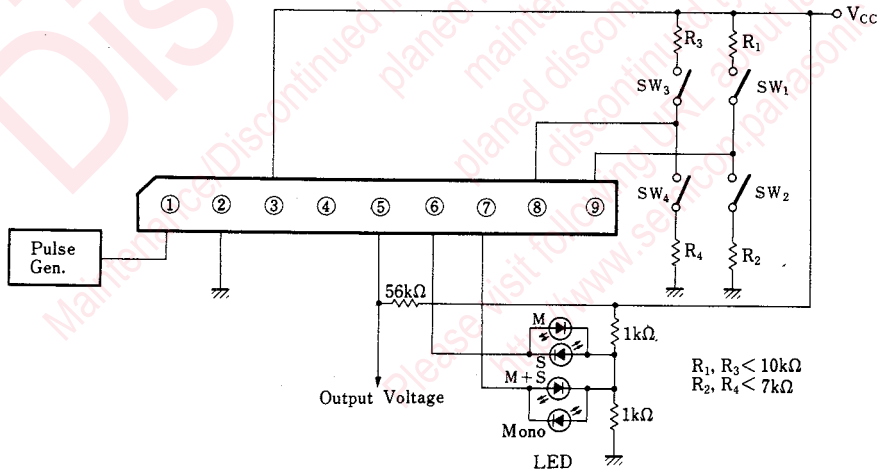
■ Absolute Maximum Ratings(Ta=25°C)

Item	Symbol	Rating	Unit
Supply Voltage	$V_{CC}(V_{3-2})$	14.4	V
Circuit Current	$I_{6,7}$	-11~+12	mA
Power Dissipation (Ta=70°C)	P_D	690	mW
Temperature	Operating Ambient Temperature	T_{opr}	-20~+70 °C
	Storage Temperature	T_{stg}	-55~+150 °C

■ Electrical Characteristics(Vcc=12V, Ta=25°C)

Item	Symbol	Test Circuit	Condition	min.	typ.	max.	Unit
Total Circuit Current	I_{tot}	1	$V_{CC}=12V$ for main mode	17	27	40	mA
Circuit Voltage	V_{8-2}	1	$V_{CC}=12V$	4.7	5.5	6.7	V
Circuit Voltage	V_{9-2}	1	$V_{CC}=12V$	4.7	5.5	6.7	V
LED Muting Voltage	V_{CCmin}	1	V_{CC} when LED are turned from OFF to ON.	7.0	8.3	9.6	V
Main Mode Output Voltage	$V_{S(Main)}$	1		6.5	7.1	7.7	V
Sub Mode Output Voltage	$V_{S(Sub)}$	1		2.7	3.3	3.9	V
Main/Sub Mode Output Voltage	$V_{S M+S}$	1		11.1	11.7	12.0	V
Monaural Mode Output Voltage	$V_{S Mono}$	1			1.05	1.35	V
Remote Control Input Resistance	R_I	1		10.8	15.6	20.4	kΩ

Test Circuit 1



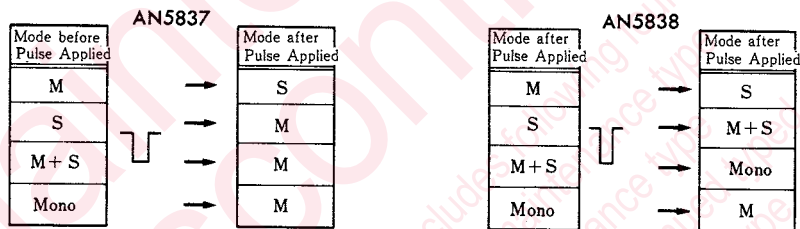
- Mode Switching Pin(Switching Characteristics by Pins ⑥ and ⑦ : common to the AN5837 and the AN5838)

Pin⑧	Pin⑨ High (SW1ON)	Low (SW2ON)	High-Low at the same time (SW1,2ON)	Open
High (SW ₃ ON)	Main	Sub	Main	M + S
Low (SW ₄ ON)	Main	Sub	Main	Mono
High-Low at the same time (SW _{3,4} ON)	Main	Sub	Main	M + S
Open	Main	Sub	Main	Previous mode

- Output Condition for each Mode(Common to the AN5837 and the AN5838)

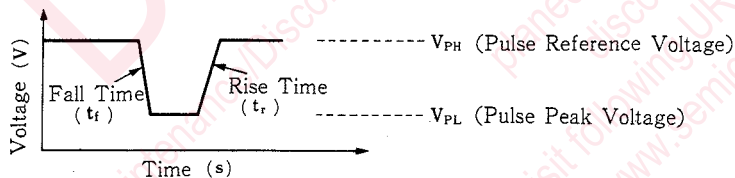
Mode	LED Drive		Output Voltage Vo Pin⑤
	Pin⑥	Pin⑦	
Main	High	OFF	$V_{S Main}(7.1V)$
Sub	Low	OFF	$V_{S Sub}(3.3V)$
M + S	OFF	High	$V_{S M+S}(11.7V)$
Mono	OFF	Low	$V_{Mono}(1.05V)$

- Switching Characteristics through Remote Control Pulse



- Conditions for Remote Control Pulse(Common to the AN5837 and the AN5838)

(1) Name of Sections



The rise time and fall time are ones required for change of voltage 1.5V~2.5V.

(2) Conditions

$V_{PH} > 3.0V$
$V_{PL} < 1.2V$
$t_r < 40 \mu s/V$
$t_f < 40 \mu s/V$

Request for your special attention and precautions in using the technical information and semiconductors described in this book

- (1) If any of the products or technical information described in this book is to be exported or provided to non-residents, the laws and regulations of the exporting country, especially, those with regard to security export control, must be observed.
- (2) The technical information described in this book is intended only to show the main characteristics and application circuit examples of the products. No license is granted in and to any intellectual property right or other right owned by Panasonic Corporation or any other company. Therefore, no responsibility is assumed by our company as to the infringement upon any such right owned by any other company which may arise as a result of the use of technical information described in this book.
- (3) The products described in this book are intended to be used for standard applications or general electronic equipment (such as office equipment, communications equipment, measuring instruments and household appliances).
Consult our sales staff in advance for information on the following applications:
 - Special applications (such as for airplanes, aerospace, automobiles, traffic control equipment, combustion equipment, life support systems and safety devices) in which exceptional quality and reliability are required, or if the failure or malfunction of the products may directly jeopardize life or harm the human body.
 - Any applications other than the standard applications intended.
- (4) The products and product specifications described in this book are subject to change without notice for modification and/or improvement. At the final stage of your design, purchasing, or use of the products, therefore, ask for the most up-to-date Product Standards in advance to make sure that the latest specifications satisfy your requirements.
- (5) When designing your equipment, comply with the range of absolute maximum rating and the guaranteed operating conditions (operating power supply voltage and operating environment etc.). Especially, please be careful not to exceed the range of absolute maximum rating on the transient state, such as power-on, power-off and mode-switching. Otherwise, we will not be liable for any defect which may arise later in your equipment.
 - Even when the products are used within the guaranteed values, take into the consideration of incidence of break down and failure mode, possible to occur to semiconductor products. Measures on the systems such as redundant design, arresting the spread of fire or preventing glitch are recommended in order to prevent physical injury, fire, social damages, for example, by using the products.
- (6) Comply with the instructions for use in order to prevent breakdown and characteristics change due to external factors (ESD, EOS, thermal stress and mechanical stress) at the time of handling, mounting or at customer's process. When using products for which damp-proof packing is required, satisfy the conditions, such as shelf life and the elapsed time since first opening the packages.
- (7) This book may be not reprinted or reproduced whether wholly or partially, without the prior written permission of our company.