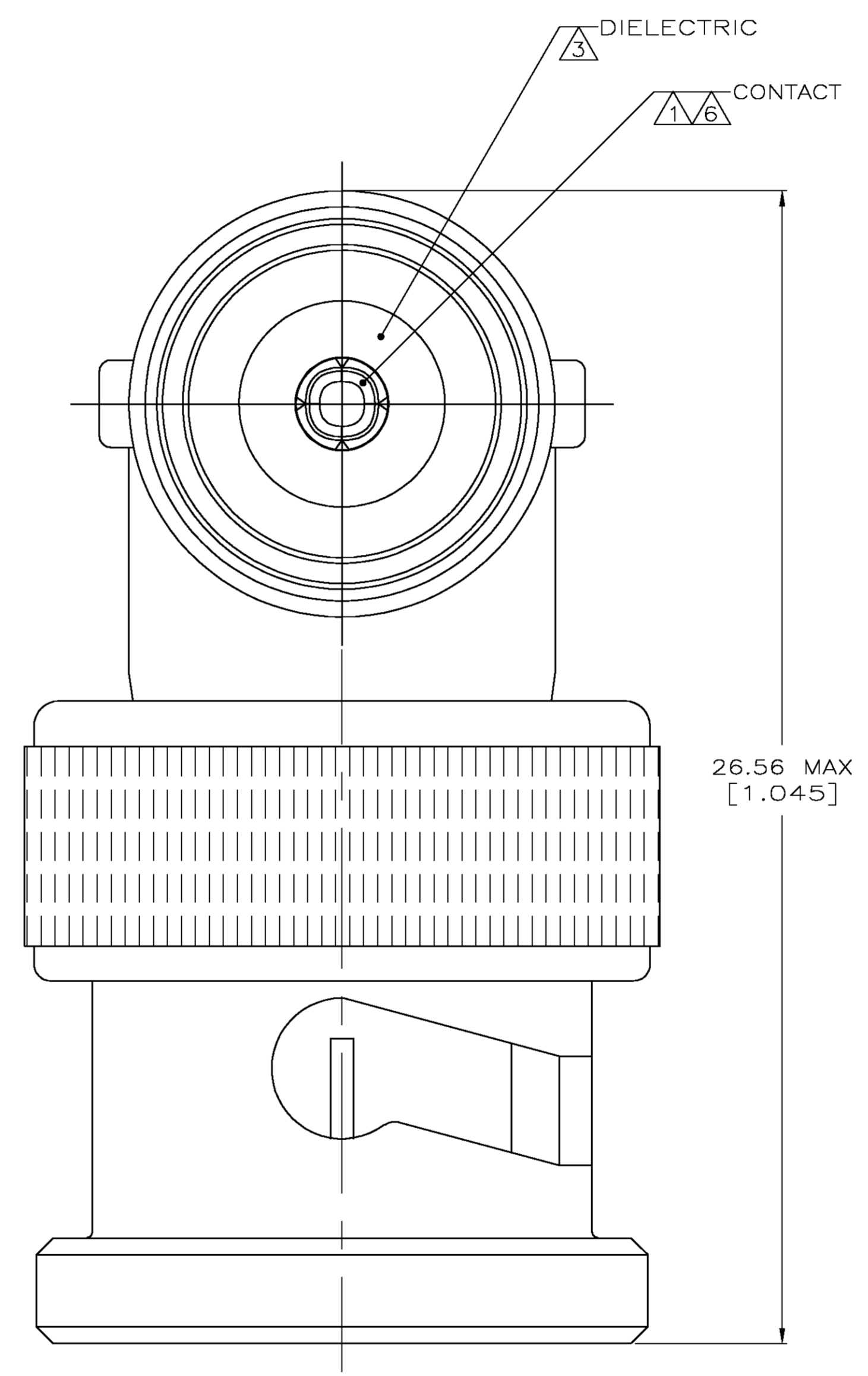
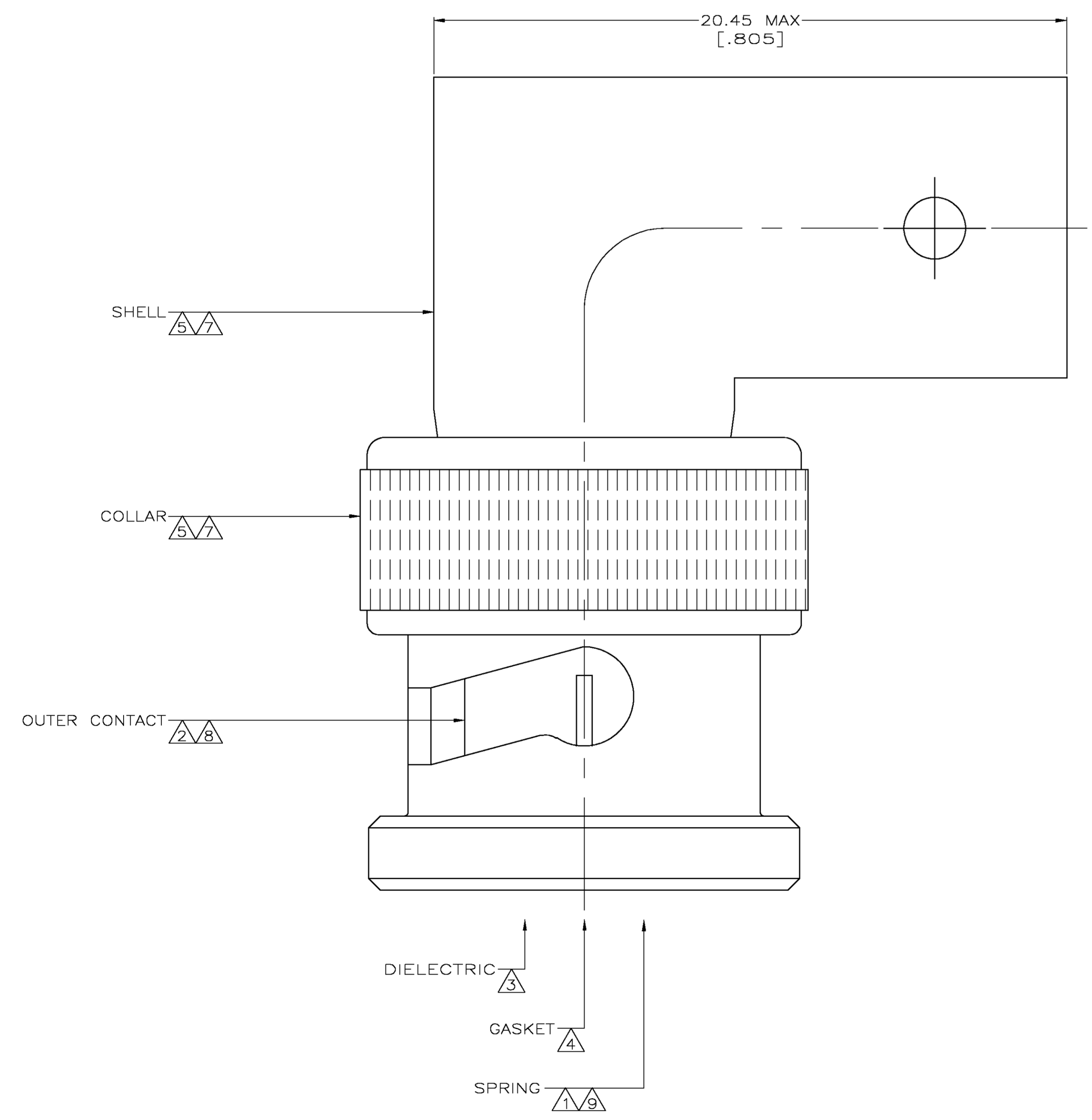


LOC	DIST	REVISIONS			
P	LT	DESCRIPTION	DATE	OWN	APP
AJ	16	K	EC PER OS14-0192-04	11NOV2004	JGH JL

- △ BERYLLIUM COPPER PER ASTM-B-194
- △ BRASS PER ASTM-B-16
- △ PTFE PER MIL-P-19468
- △ SILICONE RUBBER PER ZZ-R-765
- △ ZINC DIE CAST PER ASTM-B-86
- △ GOLD PLATE PER MIL-G-45204, 0.76 μm [.000030] MIN THICKNESS
- △ NICKEL PLATE PER QQ-N-290, 1.27 μm [.000050] MIN THICKNESS
- △ NICKEL PLATE PER QQ-N-290, 2.54 μm [.000100] MIN THICKNESS
- △ TIN PLATE PER ASTM-B-545, 2.54 μm [.000100] MIN THICK.



SUPERCEDED BY	9-222165-0	9-222165-1
		9-222165-0
		222165-2
OBSOLETE		222165-1
		PART NUMBER

THIS DRAWING IS A CONTROLLED DOCUMENT.

DIMENSIONS: MM [INCHES]	TOLERANCES UNLESS OTHERWISE SPECIFIED:	APVD: MICHAEL J. PHILLIPS	NAME: MICHAEL J. PHILLIPS	tyco Electronics Corporation Harrisburg, PA 17105-3808
0 PLC ± .	1 PLC ± .	2 PLC ± .	3 PLC ± .	4 PLC ± .
ANGLES ± .	FINISH SEE NOTES	WEIGHT -	SIZE: A1	CAGE CODE: 00779
MATERIAL SEE NOTES	SEE NOTES	CUSTOMER DRAWING	DRAWING NO: 222165	RESTRICTED TO: -
			SCALE: 10:1	SHEET: 1 OF 1