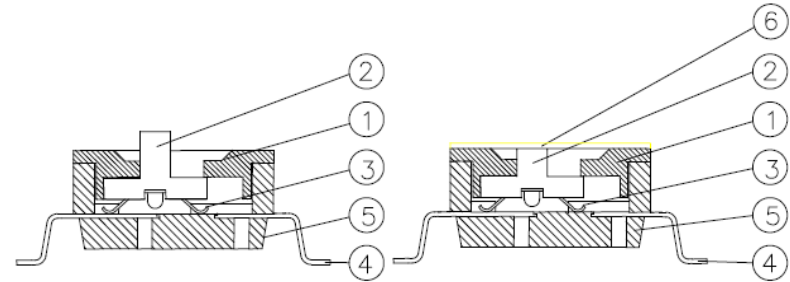
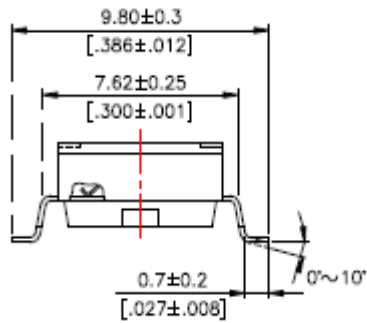
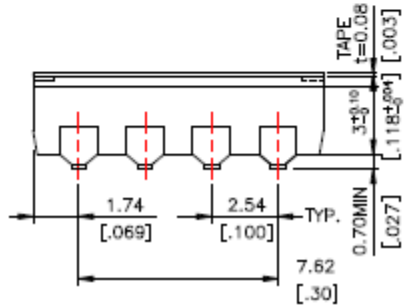


PCB Layout

Item	Name	Material	Finish
1	Cover	PPS UL 94V-0	Black
2	Actuator	PA46 UL 94-0	White
3	Contact	Copper Alloy	Gold
4	Terminal	Brass	Gold
5	Base	PPS UL 94V-0	Black
6	Tape	Kepton	



Raised Actuator

Flush Actuator

Series	Type	Version	Actuator	Positions	Seal	Finish	Package
SWT	DIP	XS	X	XX	X	XXXX	XX
Switch	DIP switch	DS=Stand. SMT RS=Recessed SMT	F=Flush R=Raised	01 to 12	S=Standard T=Tape	SGXX=Selective Gold GDXX=Gold XX=3, 10μ"	TB=Tube TR=Tape & Reel

RoHS compliant

Rev.	Description	Date	Approved	Drawing	Name	Date
				Approved	Howard	01/11/13
				Checked	Lizzy	01/11/13
				Drawn	Tina	01/11/13
				0.0 ± 0.35	0.00 ± 0.20	Angles ± 3'
				UNIT: mm		

Central Components Manufacturing
 440 Lincoln Blvd., Middlesex, New Jersey 08846
 Phone 732 469-5720 888 288-5152 Fax 732 469-1919

Part No.: **SWT-DIP-DS-F-04-X-XXXX-XX**

Description: Surface mount DIP switch