

8.5(H)mm, 3.0mm-travel Type SSSU Series

| Photo | Dimensions | Mounting Hole Dimensions | Actuator Configuration | Shape of Frame Leg |
 | Circuit Diagram | Packing Specifications | Soldering Conditions |

PRINT

Part number		SSSU012200	
Travel		3mm	
Actuator directions		Vertical	
Actuator length		9mm	
Poles		1	
Positions		2	
Operating force		Refer to the dimensions.	
Mounting method		Snap-in (t1.6)	
Changeover timing		Non shorting	
Soldering		Manual, Dip	
Operating temperature range		-40°C to +85°C	
Rating (max.)/(min.) (Resistive load)		0.1A 30V DC/10μA 1V DC	
Electrical performance	Contact resistance (Initial performance/After lifetime)	25mΩ max./65mΩ max.	
	Insulation resistance	100MΩ min. 500V DC	
	Voltage proof	500V AC for 1 minute	
Mechanical performance	Terminal strength	5N for 1 minute	
	Actuator strength	Operating direction	30N
		Pulling direction	30N
Durability	Operating life without load	10,000 cycles 45mΩ max.	
	Operating life with load (at max. rated load)	10,000 cycles 65mΩ max.	
Environmental performance	Cold	-40°C 500h	
	Dry heat	85°C 500h	

Damp heat

60°C, 90 to 95%RH 500h

Minimum order unit (pcs.)

Japan

100

Export

2,000

3D CAD (STEP)



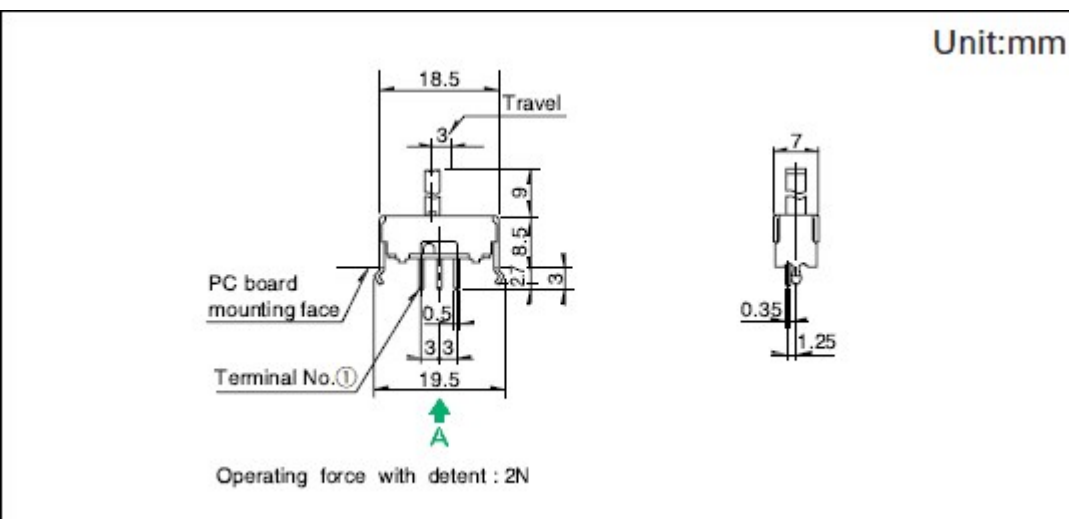
Certificate of Compliance to RoHS regulations



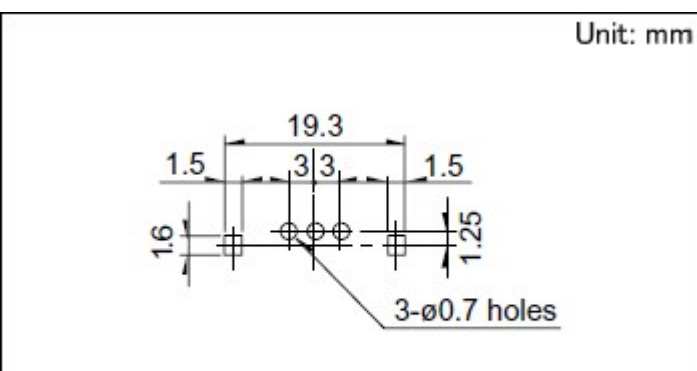
Photo



Dimensions

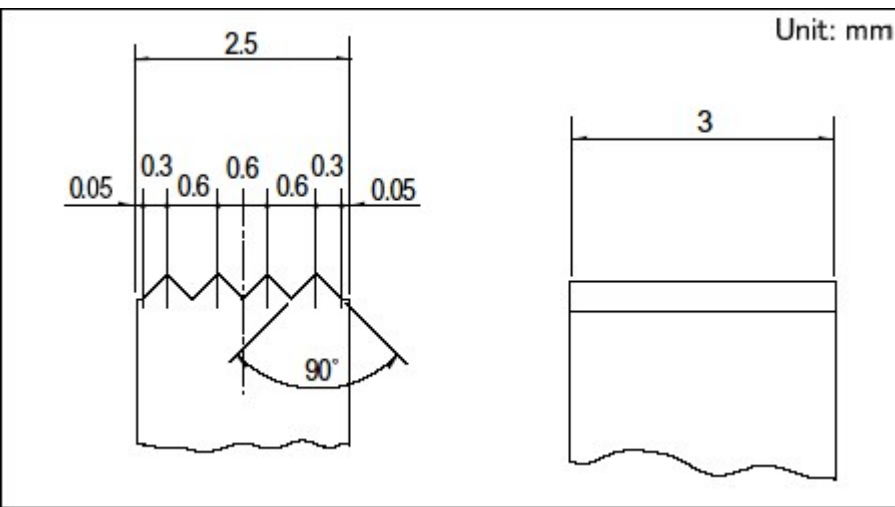


Mounting Hole Dimensions

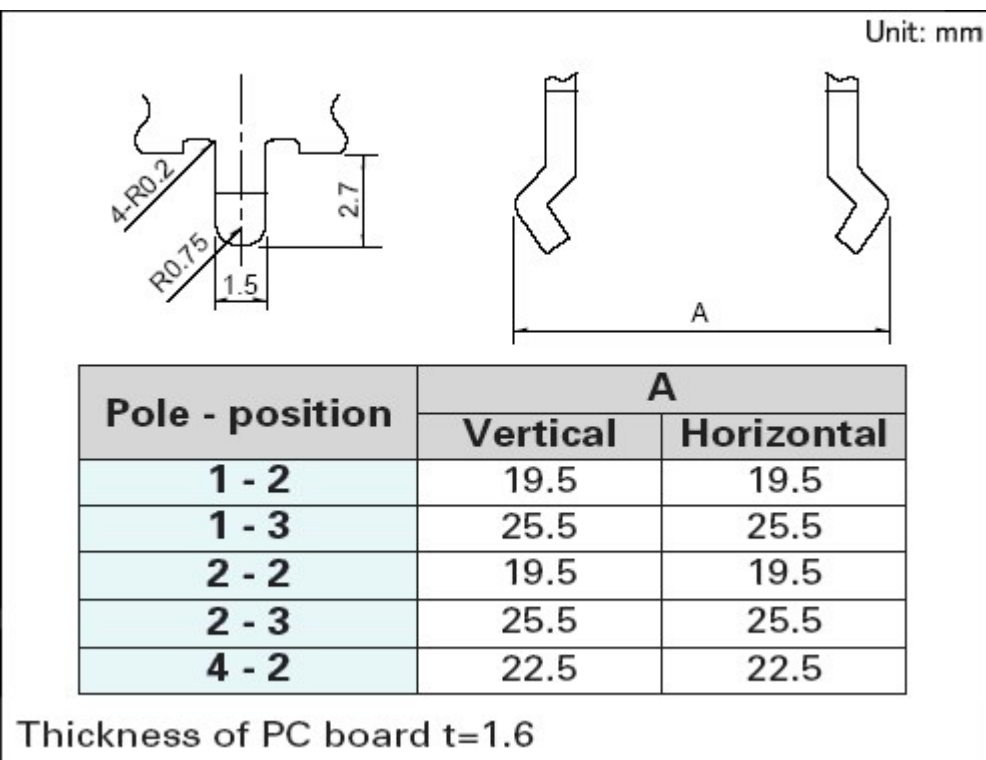


Viewed from direction A in the dimensions.

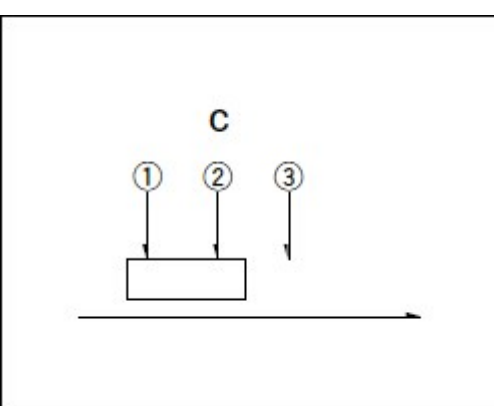
Actuator Configuration



Shape of Frame Leg



Circuit Diagram



Packing Specifications

Bulk

Number of packages (pcs.)	1 case / Japan	400
	1 case / export packing	2,000

Export package measurements (mm)	400×270×290
----------------------------------	-------------

Soldering Conditions

Reference for Dip Soldering

Items	Preheating temperature	100°C max.
	Preheating time	60°C max.

Dip soldering	Soldering temperature	260±5°C
	Duration of immersion	10±1s

Reference for Hand Soldering

Soldering temperature	350±10°C
-----------------------	----------

Soldering time	3+1/0s
----------------	--------

Notes are common to this series/models.

1. This site catalog shows only outline specifications. When using the products, please obtain formal specifications for supply.
2. Please place purchase orders per minimum order unit (integer).
3. Products other than those listed in the above chart are also available. Please contact us for details.
4. Please contact us for automotive use products.

Inquiries about Products

 [Inquiry](#)