

Ordering Information

Unit:mm(inch)

● Connector

57LE - 40 50 0 - 7 7 C O (D12)

CONNECTOR STYLE

10 : Plug
40 : Receptacle,
with spring latches

NO. OF CONTACTS

14, 24, 36, 50

CONTACT PLATING

7 : 0.4 μ m (15 μ) Gold over Nickel
Tail.....Solder plating

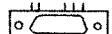
TAIL LENGTH

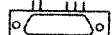
3 : 3.2mm (.126)
7 : 4.75mm (.187) ... (standard)

DEVIATION

(D1) : without spring latch
(D3) : with 57L-006 ground tab
(D12) : with 57L-009 ground tab
(D29) : with 57L-011A ground tab

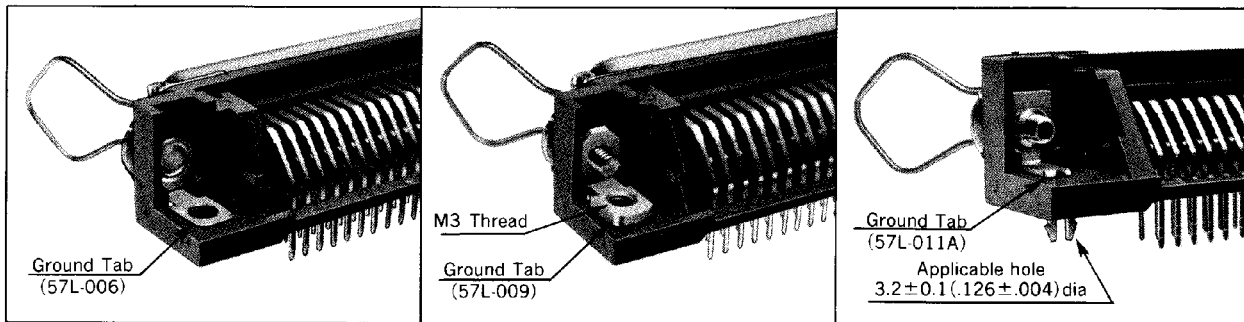
MOUNTING STYLE/INSULATOR COLOR

O :  /Blue... (standard)

B :  /Black

REAR COVER

O : less cover
C : with cover



57LE-40xx0-xxxx (D3)

57LE-40xx0-xxxx (D12)

57LE-40xx0-xxxx (D29)

● Contact tail cover

57L-50-004B

NO. OF CONTACTS

14, 24, 36, 50

INSULATOR COLOR

No designation : Blue
B : Black

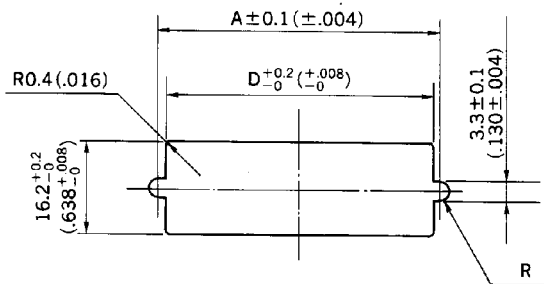
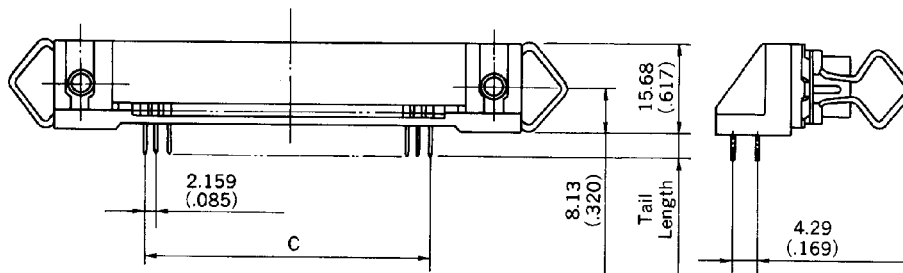
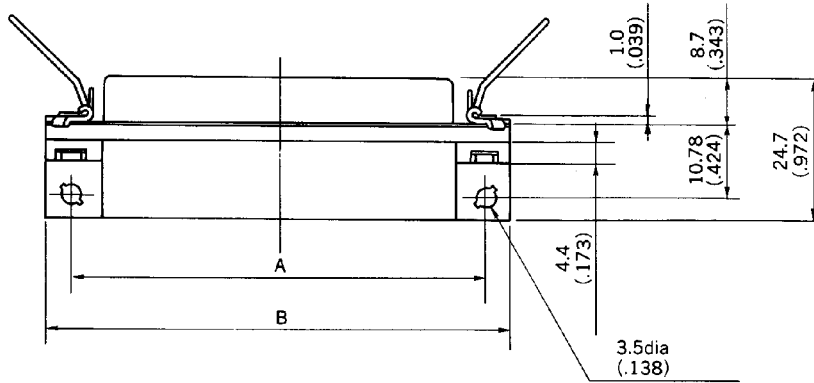
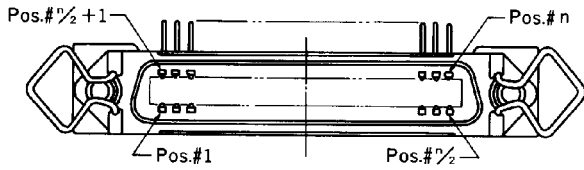
57LE Series



● Receptacles—with spring latch

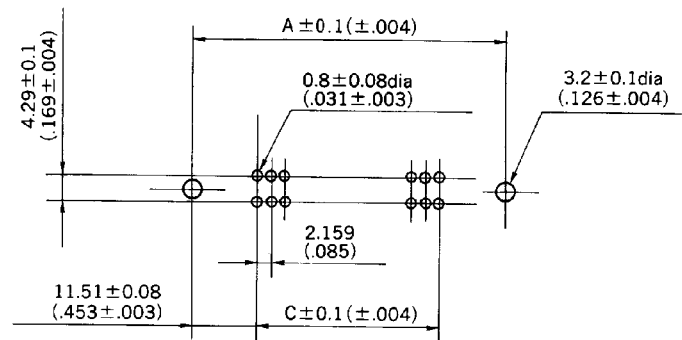
Unit:mm(inch)

P/N : 57LE-40xx0-xxxx



Panel cut out dimensions

Thickness = 1.6max (.063)



PCB mounting dimensions

NO. OF CONT'S	A	B	C	D
14	36.00 (1.417)	44.00 (1.732)	12.96 (.510)	35.3 (1.390)
24	46.78 (1.842)	54.78 (2.157)	23.76 (.935)	46.08 (1.814)
36	59.74 (2.352)	67.74 (2.667)	36.72 (1.446)	59.04 (2.324)
50	74.85 (2.947)	82.85 (3.262)	51.84 (2.041)	74.15 (2.919)

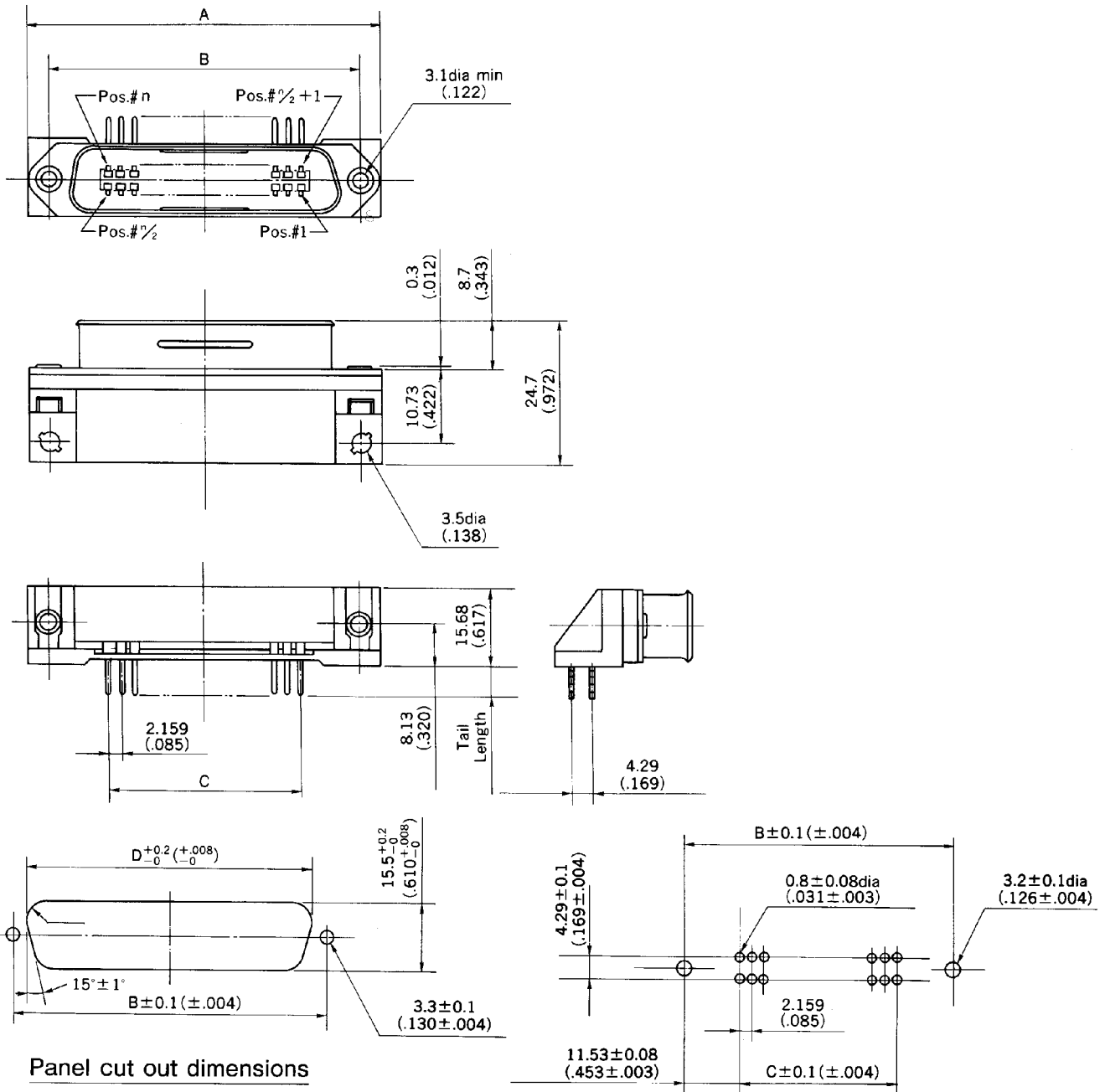
57LE Series



● Plug

Unit:mm(inch)

P/N : 57LE-10xx0-xxxx



Panel cut out dimensions

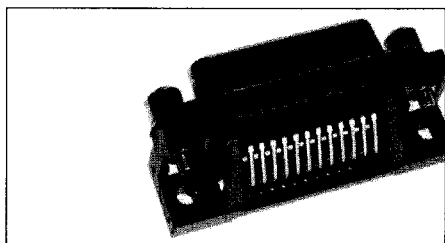
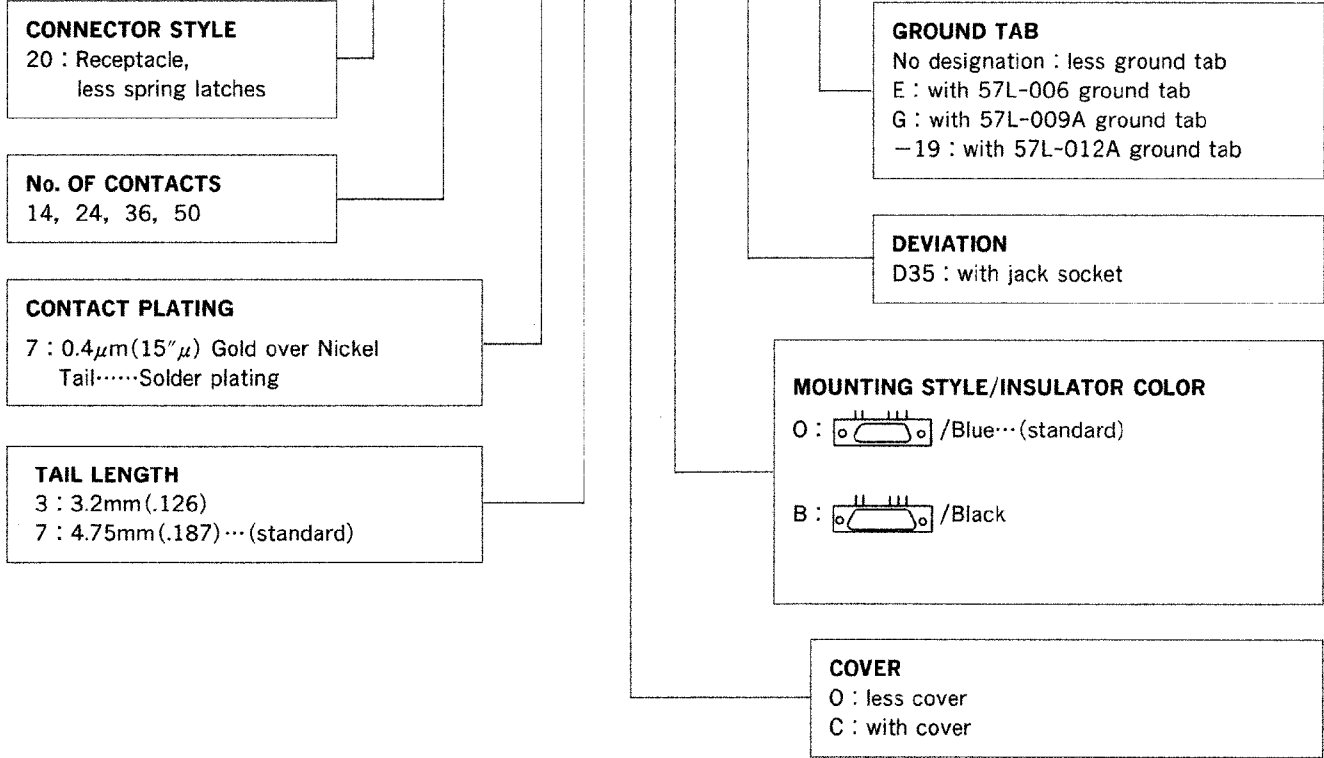
PCB mounting dimensions

NO. OF CONT'S	A	B	C	D
24	54.78 (2.157)	46.78 (1.842)	23.76 (.935)	40.1 (1.579)
36	67.74 (2.667)	59.74 (2.352)	36.72 (1.446)	53.0 (2.087)
50	82.85 (3.262)	74.85 (2.947)	51.84 (2.041)	68.2 (2.685)

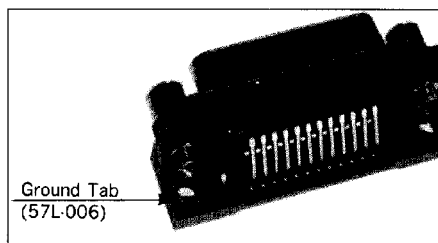
Device connectors for GP-IB Ordering Information

Unit:mm(inch)

57LE - 20 24 0-7 7 0 0 D35 E

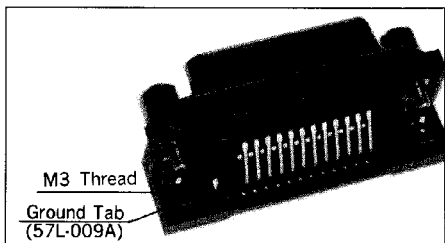


Less ground tab



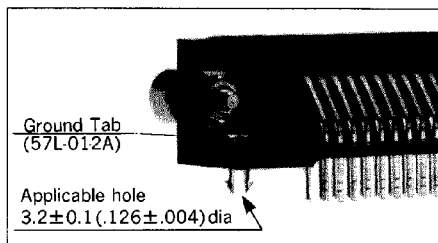
Ground Tab
(57L-006)

With 57L-006 ground tab



M3 Thread
Ground Tab
(57L-009A)

With 57L-009A ground tab



Ground Tab
(57L-012A)

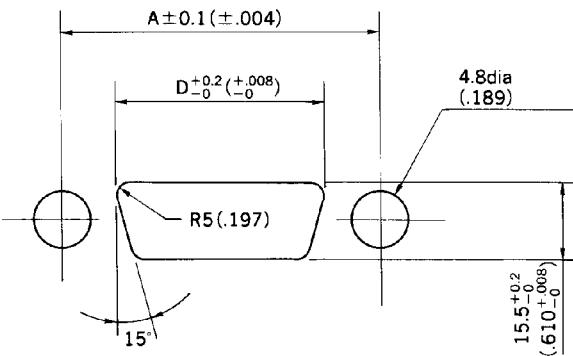
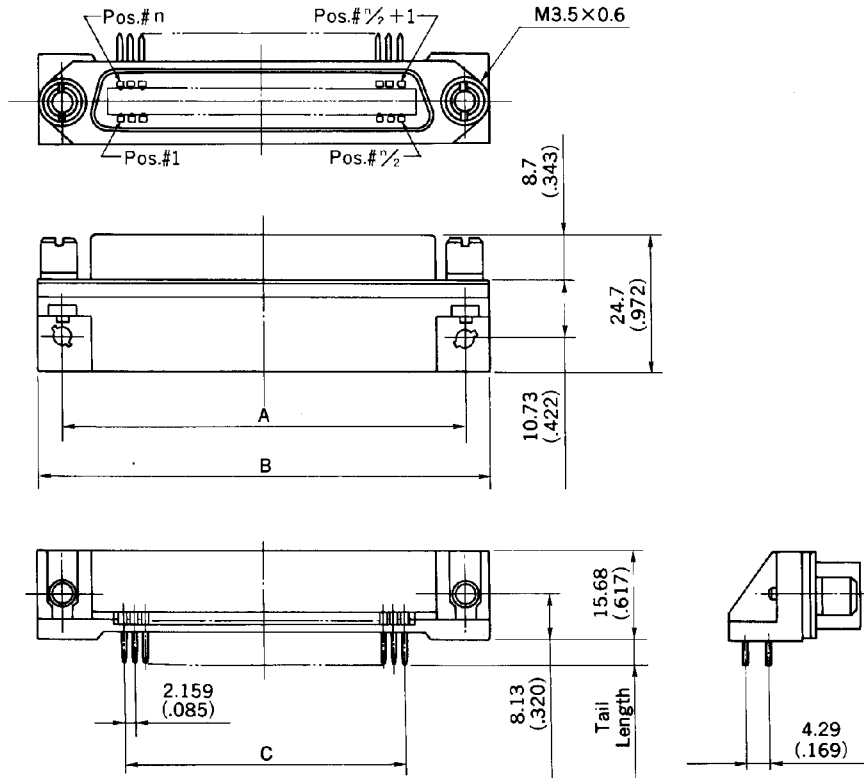
Applicable hole
3.2 \pm 0.1(.126 \pm .004) dia

With 57L-012A ground tab

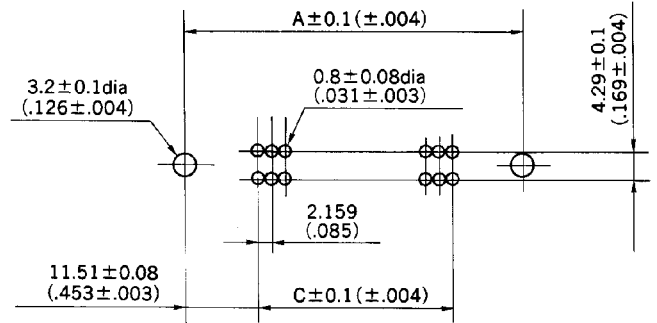
57LE Series



Unit:mm(inch)



Panel cut out dimensions
Thickness = 1.0mm (.039)



PCB mounting dimensions

NO. OF CONT'S	A	B	C	D
14	36.00 (1.417)	44.00 (1.732)	12.96 (.510)	29.3 (1.154)
24	46.78 (1.842)	54.78 (2.157)	23.76 (.935)	40.1 (1.579)
36	59.74 (2.352)	67.74 (2.667)	36.72 (1.446)	53.0 (2.087)
50	74.85 (2.947)	82.85 (3.262)	51.84 (2.041)	68.2 (2.685)