

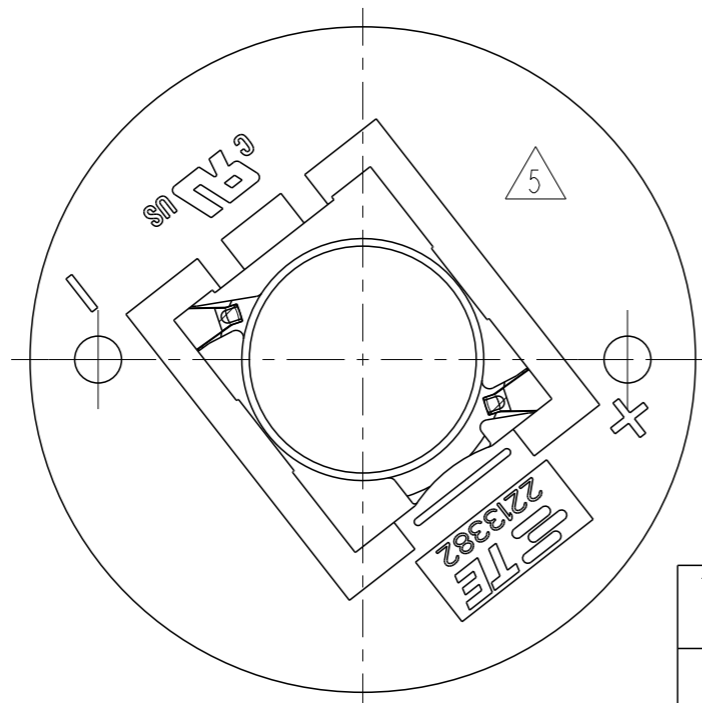
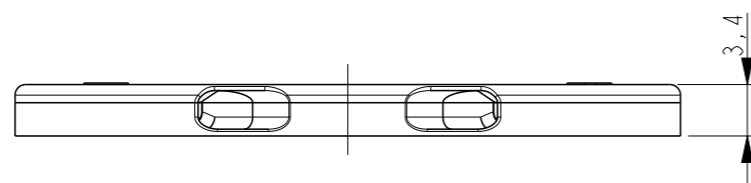
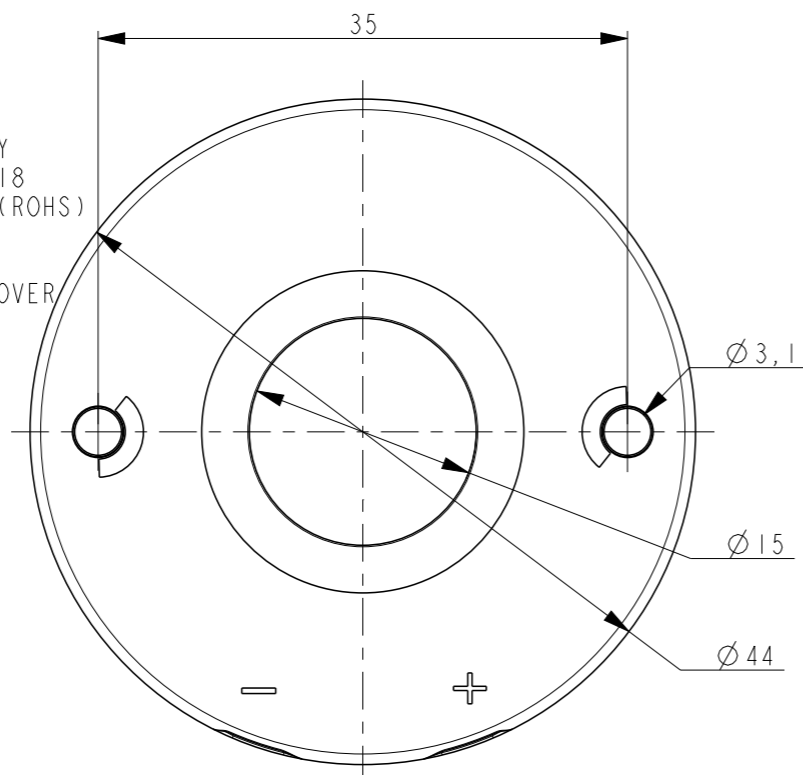
REVISIONS

P	LTR	DESCRIPTION	DATE	DWN	APVD
	A3	ECR-16-001206	27JAN2016	KR	MvE
	A4	ADDED RELEASED LEADS	25JAN2017	KR	MvE
	B	REVISED PER ECR-17-005513	13APR2017	SK	MvE
	B1	REVISED PER ECR-17-016356	07NOV2017	RK	OL

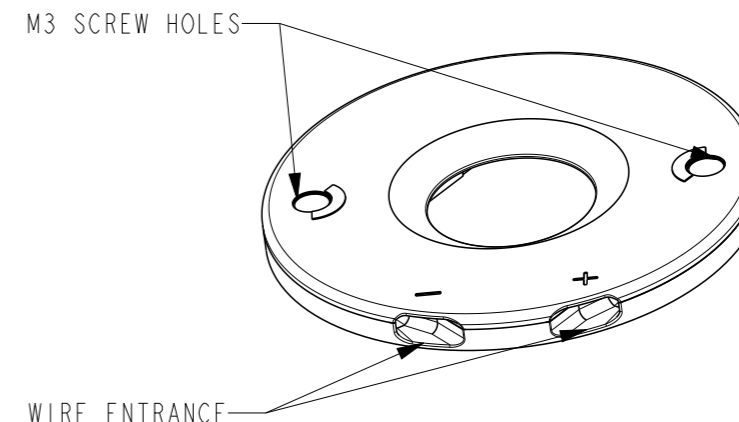
NOTES:

1. MATERIALS:  
HOUSING: GLASS FILLED PBT  
HALOGEN FREE FLAME RETARDANT,  
COLOR : NATURAL/WHITE  
CONTACTS: SILVER PLATED COPPER ALLOY
2. FOR SOLID AND STRANDED WIRE AWG 22-18
3. COMPLIES WITH DIRECTIVE 2002/95/EC (ROHS)
4. M3 SCREW TO BE USED FOR MOUNTING

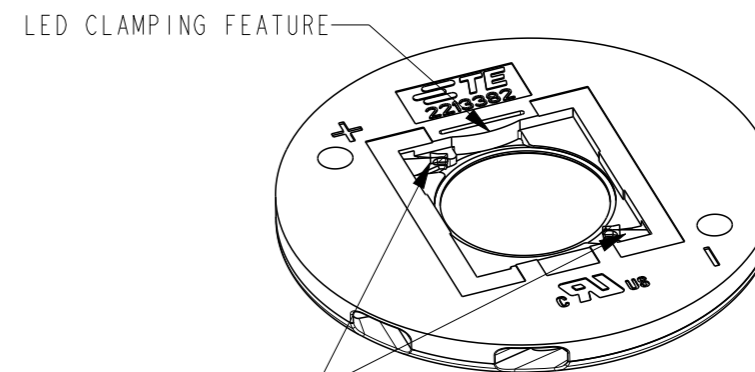
5. DATE CODE YY-WW-D ANY WHERE EXCEPT OVER LOGO OR +/- SIGN.



2213382-1 AS SHOWN  
LUMAWISE LED HOLDER Z50 LOW PROFILE



SCALE 3:2



DESCRIPTION	PART NO	PACKAGING
LUMAWISE LED HOLDER Z50 LOW PROFILE 1619	2-2213382-1	2x10 PIECES IN TRAY AND BOX 25 BOXES IN SHIPPING BOX
LUMAWISE LED HOLDER Z50 STANDARD PROFILE 1619	1-2213382-2	2x10 PIECES IN TRAY AND BOX 25 BOXES IN SHIPPING BOX
LUMAWISE LED HOLDER Z50 LOW PROFILE 1619	1-2213382-1	2x10 PIECES IN TRAY AND BOX 25 BOXES IN SHIPPING BOX
LUMAWISE LED HOLDER Z50 STANDARD PROFILE 1619	2213382-2	5x4 PIECES IN TRAY 25 TRAYS IN SHIPPING BOX
LUMAWISE LED HOLDER Z50 LOW PROFILE 1619	2213382-1	5x4 PIECES IN TRAY 35 TRAYS IN SHIPPING BOX

THIS DRAWING IS A CONTROLLED DOCUMENT.

DIMENSIONS:	TOLERANCES UNLESS OTHERWISE SPECIFIED:
mm	
	0 PLC ±-
	1 PLC ±-
	2 PLC ±-
	3 PLC ±-
	4 PLC ±-
	ANGLES ±-
MATERIAL	FINISH
-	-
-	-

DWN	31AUG2013
YASHKUMAR	
CHK	31AUG2013
M.V.ESSEN	
APVD	31AUG2013
O.I.F.I.J.N.S.E	
PRODUCT SPEC	108-133008
APPLICATION SPEC	114-32048
WEIGHT	-
Customer Drawing	

<b>STE</b> TE Connectivity			
NAME LUMAWISE LED HOLDER Z50 1619			
SIZE	CAGE CODE	DRAWING NO	RESTRICTED TO
A3	-	©-2213382	-
SCALE		SHEET	REV
2:1		1 OF 3	B1

4

3

2

1

THIS DRAWING IS UNPUBLISHED.

RELEASED FOR PUBLICATION

20

© COPYRIGHT 20

BY -


ALL RIGHTS RESERVED.

REVISIONS

P	LTR	DESCRIPTION	DATE	DWN	APVD
	-	SEE SHEET 1	-	-	-

SCALE 3:2

2213382-2 AS SHOWN  
LUMAWISE LED HOLDER Z50 STANDARD PROFILE

THIS DRAWING IS A CONTROLLED DOCUMENT.		DWN YASHKUMAR 31AUG2013	 TE Connectivity			
DIMENSIONS: mm		CHK M.V.ESSSEN 31AUG2013				NAME LUMAWISE LED HOLDER Z50 1619
TOLERANCES UNLESS OTHERWISE SPECIFIED:		APVD O.I.FIUNSE 31AUG2013	PRODUCT SPEC 108-133008			
0 PLC ±- 1 PLC ±- 2 PLC ±- 3 PLC ±- 4 PLC ±- ANGLES ±-		APPLICATION SPEC 114-32048	SIZE A3	CAGE CODE -	DRAWING NO C-2213382	RESTRICTED TO -
MATERIAL -		FINISH -	WEIGHT -	Customer Drawing		
		SCALE 2:1		SHEET 2 OF 3		REV B1

1470-19 (3/13)

THIS DRAWING IS UNPUBLISHED.

RELEASED FOR PUBLICATION

20

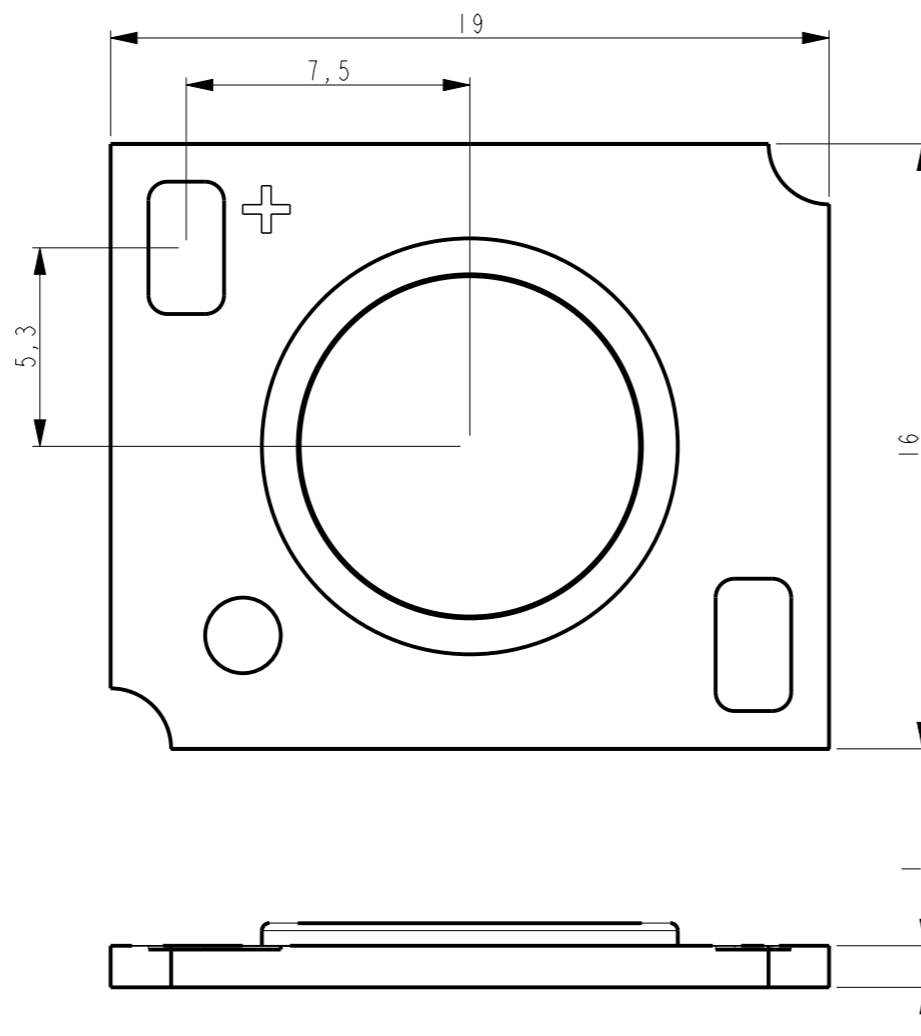
© COPYRIGHT 20 BY -

ALL RIGHTS RESERVED.

REVISIONS

P	LTR	DESCRIPTION	DATE	DWN	APVD
-		SEE SHEET 1	-	-	-

THE SKETCH BELOW IS SHOWING THE NOMINAL LED COB DIMENSIONS TO MATCH WITH THE Z50 LED HOLDER 1619 FOR TECHNICAL DETAILS ABOUT A PROPER MATCH WITH A SPECIFIC LED COB ARRAY PLEASE CONTACT A REPRESENTATIVE AT TE-CONNECTIVITY



FOLLOWING LED TYPES ARE RELEASED FOR THIS HOLDER	DATA SHEET	REVISION
LUMILEDS 1203	DS115	
LUMILEDS 1202		
LUMILEDS 1203 CRSP		
LUMILEDS 1202 CRSP		
NICHIA L066	STS-DAI-2675A	
NICHIA L036A	STS-DAI-2675A	
NICHIA L121A	STS-DA7-3992	
SAMSUNG LC040C		REV. 2.1 2016.6.20
NICHIA-NFCWL072B-V2	STS-DAI 4624	

THIS DRAWING IS A CONTROLLED DOCUMENT.

DIMENSIONS: mm	TOLERANCES UNLESS OTHERWISE SPECIFIED:
	0 PLC ±-
	1 PLC ±-
	2 PLC ±-
	3 PLC ±-
	4 PLC ±-
	ANGLES ±-
MATERIAL	FINISH
-	-
-	-

DWN	31AUG2013
YASHKUMAR	
CHK	31AUG2013
M.V.ESSSEN	
APVD	31AUG2013
O.I.F.IJNSE	
PRODUCT SPEC	108-133008
APPLICATION SPEC	114-32048
WEIGHT	-
Customer Drawing	



NAME				LUMAWISE LED HOLDER Z50 1619	
SIZE	CAGE CODE	DRAWING NO	RESTRICTED TO		
A3	-	©-2213382	-		
SCALE		SHEET	OF	REV	
2:1		3	3	B1	