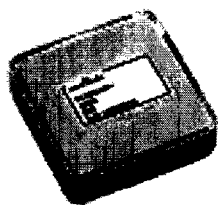


OSCILLATORS CRYSTAL OSCILLATORS OCXO LOW PROFILE OSCILLATORS

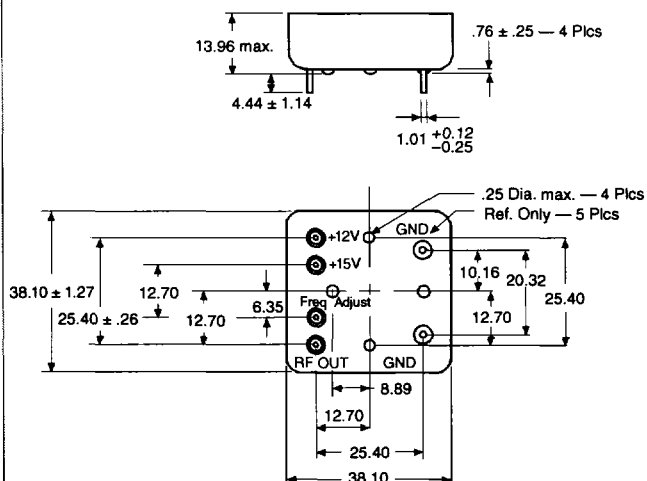


SPECIFICATIONS

MODEL	OC2591-MP
Features	Low cost Low profile High stability Low phase noise
Frequency Range	5MHz to 20MHz
Input Voltage and Power	+12VDC @ 300mA max.
Output Type	0dBm, 50 ohm
Electronic Freq. Control: Freq. vs. Voltage	—
*Temperature Stability	±.05ppm (-10°C to +70°C), ref. to 25°C
Aging	2 x 10 ⁻⁹ /day initial
Package	38.10 x 38.10 x 13.96

*Other temperature ranges and stabilities available.

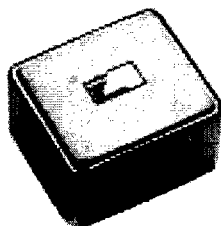
OC2591-MP



PIN	FUNCTION
1	+12V
2	—
3	Freq. Control Voltage
4	RF Out
5	Ground
6	Ground

Dimensions: mm

OCXO BASE STATION APPLICATIONS

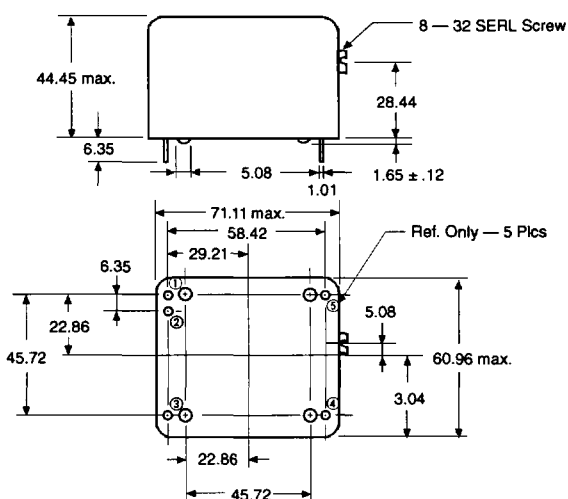


SPECIFICATIONS

MODEL	OC2566
Features	High stability "SC" cut osc. Low phase noise
Frequency Range	3MHz to 15MHz
Input Voltage and Power	+12VDC up to 6 wts.
Output Type	Sine or Logic
Electronic Freq. Control: Freq. vs. Voltage or Digital	±1ppm min.
*Temperature Stability	20ppb, -30° to +50°
Aging	Less than 1 x 10 ⁻⁹ /day
Package	60.96 x 60.96 x 50.80

*Other temperature ranges and stabilities available.

OC2566



PIN	CONNECTIONS
1	RF Output
2	Case Ground
3	+15V OSC Input
4	Ground
5	+27V Oven Input

Dimensions: mm