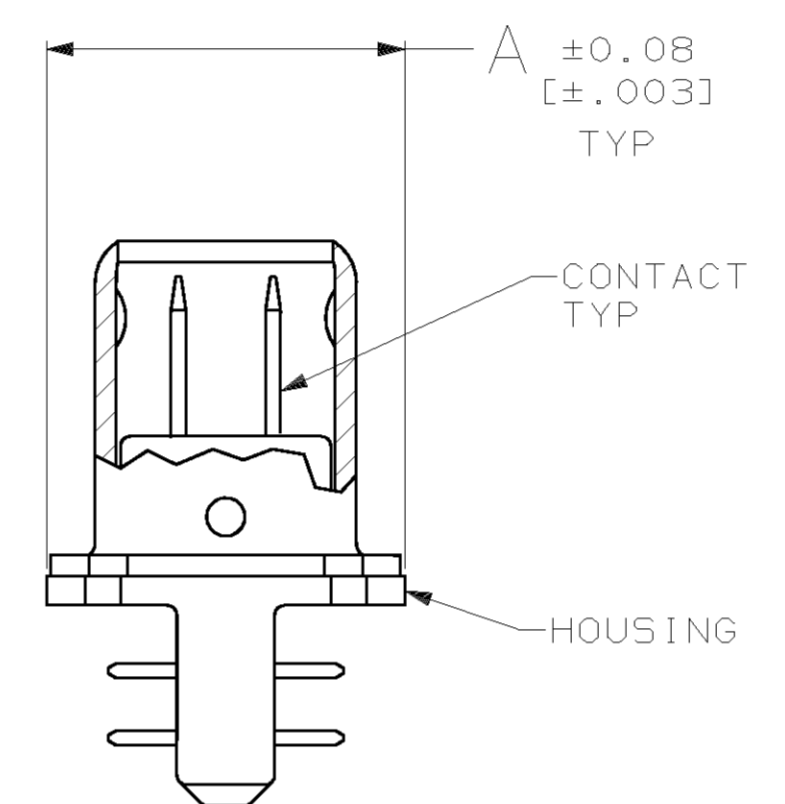
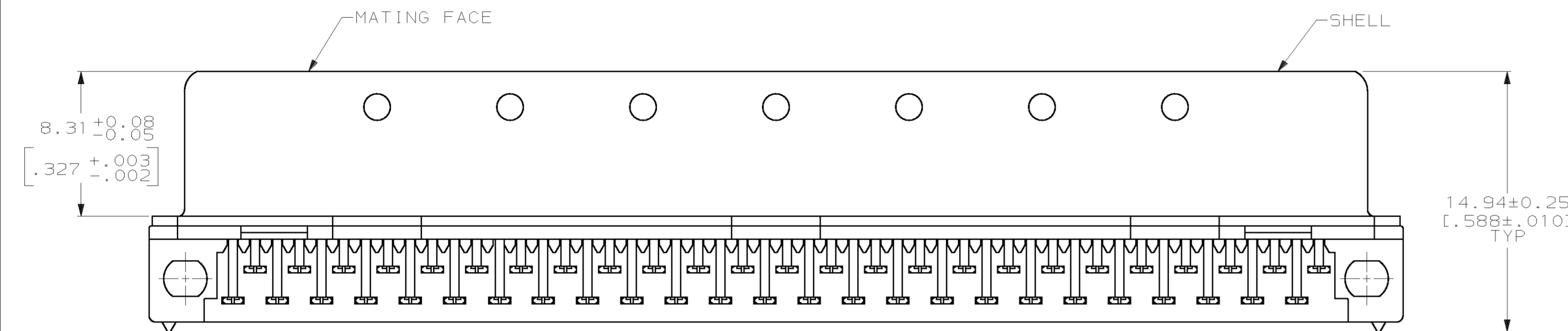
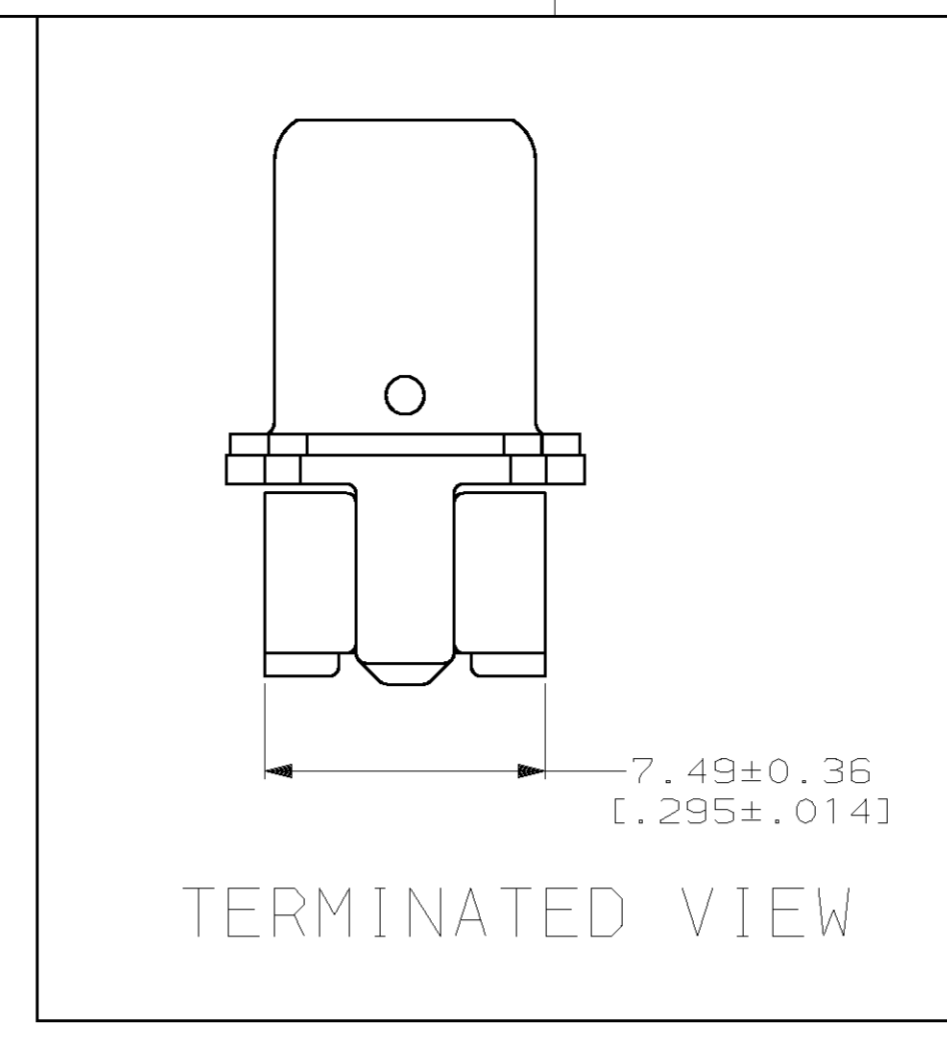
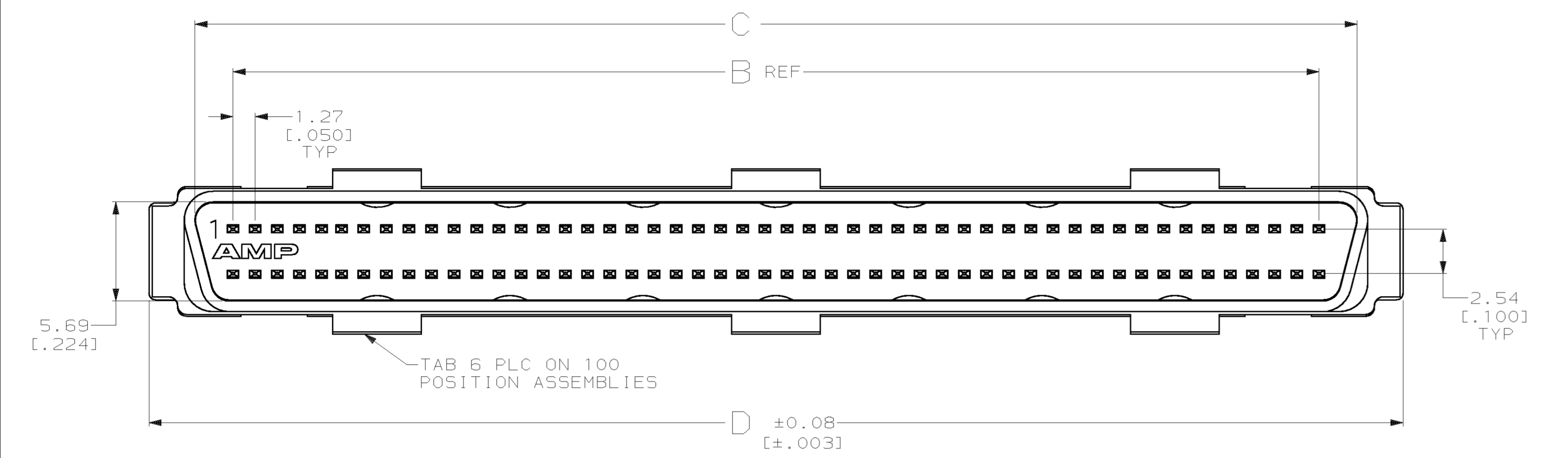
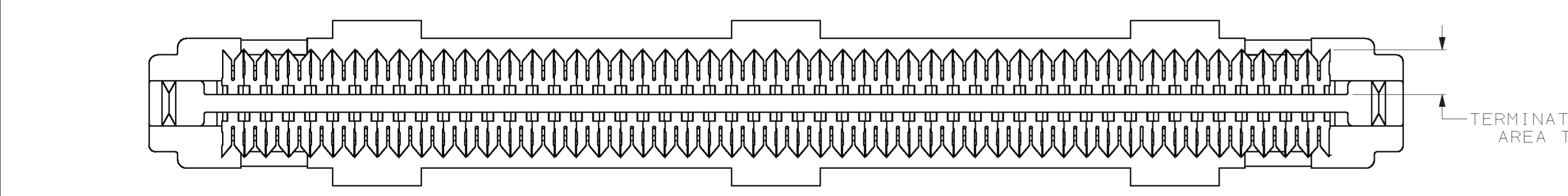


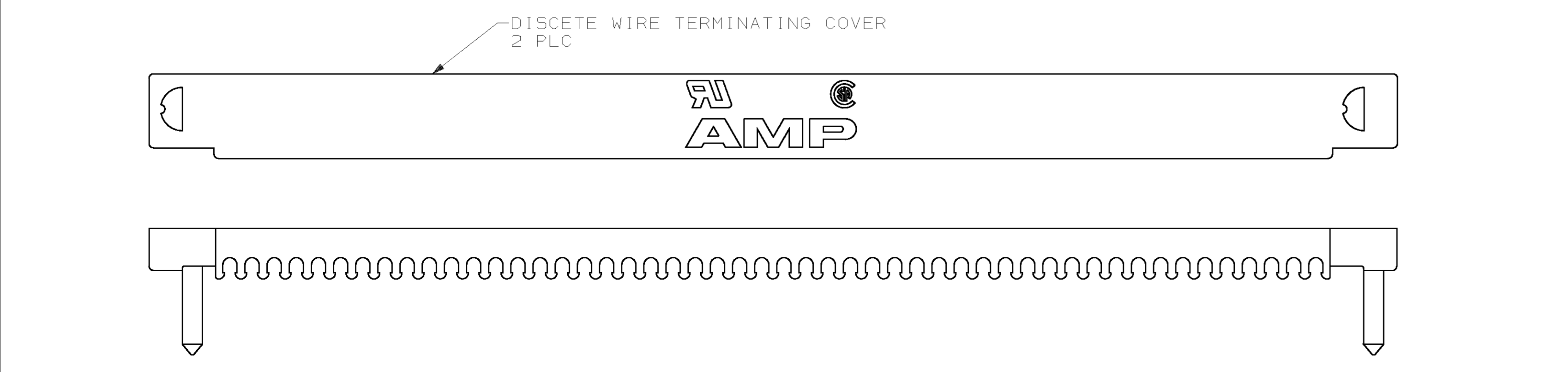
LOC		DIST		P		F		ZONE		LTR		REVISIONS			
GP	00											DESCRIPTION	DATE	APPD	
												L	REVISED PER EC 0513-0174-03	16JUN03	JG



- △ CONTACTS: PHOSPHOR BRONZE.  
SHELL: CARBON STEEL  
HOUSING: POLYESTER, BLACK, UL 94V-0 RATED.  
TERMINATING COVERS: POLYESTER, UL 94V-0 RATED, COLOR: SEE TABLE
- △ 0.76µm [.000030] MIN GOLD FOR A LENGTH OF 3.35 [.132] MIN FROM MATING END, 1.27µm [.000050] MIN TIN-LEAD IN TERMINATION AREA, BOTH OVER 1.27µm [.000050] MIN NICKEL.
- △ 0.25µm [.000010] MIN TIN-NICKEL OVER 3.81µm [.000150] MIN NICKEL OVER 2.54 µm [.000100] MIN COPPER.
- △ RECOMMENDED WIRE: 30 AWG - 28 AWG, SEE TABLE FOR INSULATION DIA. WIRE MUST BE APPROVED BY AMP ENGINEERING.
- 5. COVERS PACKAGED SEPARATE FROM CONNECTORS IN SAME SHIPPING CONTAINER.
- △ GOLD FLASH FOR A LENGTH OF 3.35 [.132] MIN FROM MATING END, 1.27µm [.000050] MIN TIN-LEAD IN TERMINATION AREA, BOTH OVER 1.27µm [.000050] MIN NICKEL.
- △ OBSOLETE PART NUMBER.
- △ 0.76µm [.000030] MIN GOLD FOR A LENGTH OF 3.35 [.132] MIN FROM MATING END, 3.00µm [.000100] MIN TIN IN TERMINATION AREA, BOTH OVER 1.27µm [.000050] MIN NICKEL.



△6	GRAY	0.79 MAX DIA [.031]	40.11 [1.579]	34.85 [1.372]	30.48 [1.200]	7.44 [.293]	50	△7	3-750913-5
△6	BLACK	0.81 MIN DIA [.032]	40.11 [1.579]	34.85 [1.372]	30.48 [1.200]	7.44 [.293]	50	△7	2-750913-5
△8	GRAY	0.79 MAX DIA [.031]	71.86 [2.829]	66.60 [2.622]	62.23 [2.450]	9.47 [.373]	100		2-750913-2
△8	GRAY	0.79 MAX DIA [.031]	51.54 [2.029]	46.28 [1.822]	41.91 [1.650]	7.44 [.293]	68		2-750913-1
△8	BLACK	0.81 MIN DIA [.032]	40.11 [1.579]	34.85 [1.372]	30.48 [1.200]	7.44 [.293]	50		2-750913-0
△2	GRAY	0.79 MAX DIA [.031]	71.86 [2.829]	66.60 [2.622]	62.23 [2.450]	9.47 [.373]	100		1-750913-9
△2	GRAY	0.79 MAX DIA [.031]	51.54 [2.029]	46.28 [1.822]	41.91 [1.650]	7.44 [.293]	68		1-750913-7
△2	GRAY	0.79 MAX DIA [.031]	40.11 [1.579]	34.85 [1.372]	30.48 [1.200]	7.44 [.293]	50		1-750913-5
△2	GRAY	0.79 MAX DIA [.031]	33.76 [1.329]	28.50 [1.122]	24.13 [.950]	7.44 [.293]	40		1-750913-4
△2	GRAY	0.79 MAX DIA [.031]	24.87 [.979]	19.61 [.772]	15.24 [.600]	7.44 [.293]	26		1-750913-2
△2	BLACK	0.81 MIN DIA [.032]	71.86 [2.829]	66.60 [2.622]	62.23 [2.450]	9.47 [.373]	100	△7	750913-9
△2	BLACK	0.81 MIN DIA [.032]	51.54 [2.029]	46.28 [1.822]	41.91 [1.650]	7.44 [.293]	68		750913-7
△2	BLACK	0.81 MIN DIA [.032]	40.11 [1.579]	34.85 [1.372]	30.48 [1.200]	7.44 [.293]	50		750913-5
△2	BLACK	0.81 MIN DIA [.032]	33.76 [1.329]	28.50 [1.122]	24.13 [.950]	7.44 [.293]	40		750913-4
△2	BLACK	0.81 MIN DIA [.032]	24.87 [.979]	19.61 [.772]	15.24 [.600]	7.44 [.293]	26		750913-2
CONTACT FINISH	TERMINATING COVERS COLOR	WIRE OUTER DIA	D	C	B	A	NO OF POSN		PART NO



DO NOT SCALE PRINT. UNLESS SPECIFIED DIMENSIONS IN mm [INCHES] TOLERANCES ON: 2 PLC DEC ± 0.13(.005) 3 PLC DEC ± - ANGLES ± -	DR 8-13-91 J McCLINTON CHK 8-19-91 R STONE APPD 8-19-91 L BREKOSKY APPD 8-19-91 J ASSINI	AMP Incorporated Harrisburg, PA 17105-3608	
MATERIAL △	PRODUCT SPEC 108-1228	NAME PLUG KIT, UNASSEMBLED, DISCRETE WIRE TERMINATING COVER, .050 SERIES, AMPLIMIT™	
FINISH CONTACTS: SEE TABLE SHELL: △3	APPLICATION SPEC 114-40029	SIZE D	CAGE CODE 00779
	WEIGHT	DRAWING NO 750913	SHEET 1 OF 1
		SCALE 5:1	

- [Home](#)
- [Part Number Search](#)
- [Document Search](#)
- [Text Search](#)
- [Alternate Part Search](#)
- [Multiple Part Comparison](#)
- [Alphabetical Search](#)
- [Brand Search](#)
- [Industry Product Search](#)
- [Product Type Search](#)
- [Product Family Search](#)
- [Competitor Cross Reference](#)
- [Lead Free Solutions](#)
- [Help/Glossary](#)

<b>Current Brand View</b>	<a href="#">View All Tyco Electronics Brands</a> Click to activate links to all other products
AMP	

## Subminiature and Microminiature D Connectors

### AMP .050 Series Cable Connectors (SCSI)

AMP      **1-750913-2**      Active      [Active](#)

**(Tyco Electronics P/N: 1-750913-2)**

[CAD Geometry](#) | [Search for Parts](#) | S
[Previous](#) [1] [2](#) [3](#) [4](#) [5](#) [6](#) [7](#) [8](#) [Next](#) N

Document links for this part cannot be displayed. Your browser does not support inline frames or is currently configured not to display inline frames. Inline frames are supported in both Internet Explorer 5 and Netscape 6, as well as all later versions of these browsers.

Related Part Information		
General Information	eCommerce	Related Part Information
<a href="#">General Info</a> <a href="#">Sales Info</a> <a href="#">Assembly Subcontractors</a>	<a href="#">Pricing</a> <a href="#">Product Availability</a>	

Searchable Features:	
<b>Brand:</b>	AMP
<b>Product Type:</b>	Connector
<b>Gender:</b>	Plug
<b>No. of Positions:</b>	26
<b>Wire/Cable Type:</b>	Round Jacketed Cable
<b>Wire Range (mm [AWG]):</b>	0.05-0.09 <sup>2</sup> [30-28]
<b>Wire Insulation Diameter (mm [in]):</b>	0.74 – 0.91 [0.029 – 0.036]
<b>Mating Connector Lock:</b>	Without
<b>Panel Attachment:</b>	No
<b>Shielded:</b>	Yes
<b>Detent:</b>	Without

Other Properties:	
<b>Wire Termination Type:</b>	IDC
<b>Termination Cover Type:</b>	Wire Lacing
<b>Termination Cover Method:</b>	Unassembled
<b>Contact Material:</b>	Phosphor Bronze
<b>Contact Mating Area Plating:</b>	Gold (30)
<b>Solder Tail Plating:</b>	Tin-Lead over Nickel
<b>Housing Material:</b>	Thermoplastic
<b>Housing Material Flammability Rating:</b>	UL 94V-0
<b>Color:</b>	Gray
<b>Plug Shell Material:</b>	Steel
<b>Plug Shell Plating:</b>	Tin-Nickel Alloy

<b>Rails:</b>	Without
<b>Termination Cover:</b>	With
<b>Product Series:</b>	Series III
<b>Terminate To:</b>	Wire

**Comment:**

Plug connector requires backshell kit for complete assembly

---

[Copyright](#) and [Privacy Statement](#)

Visit [Tyco International, Ltd.](#)

[Products](#) | [Catalog](#) | [Brands](#) | [Industries](#) | [Commerce](#) | [Supplier](#) | [Customer Service](#) | [About](#) | [Home](#)

- [Home](#)
- [Part Number Search](#)
- [Document Search](#)
- [Text Search](#)
- [Alternate Part Search](#)
- [Multiple Part Comparison](#)
- [Alphabetical Search](#)
- [Brand Search](#)
- [Industry Product Search](#)
- [Product Type Search](#)
- [Product Family Search](#)
- [Competitor Cross Reference](#)
- [Lead Free Solutions](#)
- [Help/Glossary](#)

<b>Current Brand View</b>	<a href="#">View All Tyco Electronics Brands</a> Click to activate links to all other products
<b>AMP</b>	

## Subminiature and Microminiature D Connectors

### **AMP .050 Series Cable Connectors (SCSI)**

**AMP**      **1-750913-9**      **Active**      [Active](#)

**(Tyco Electronics P/N: 1-750913-9)**

[CAD Geometry](#) | [Search for Parts](#) | [Previous](#) [1] [2](#) [3](#) [4](#) [5](#) [6](#) [7](#) [8](#) [9](#) [Next](#)

Document links for this part cannot be displayed. Your browser does not support inline frames or is currently configured not to display inline frames. Inline frames are supported in both Internet Explorer 5 and Netscape 6, as well as all later versions of these browsers.

Related Part Information		
General Information	eCommerce	Related Part Information
<a href="#">General Info</a> <a href="#">Sales Info</a> <a href="#">Assembly Subcontractors</a>	<a href="#">Pricing</a> <a href="#">Product Availability</a>	

Searchable Features:	
<b>Brand:</b>	AMP
<b>Product Type:</b>	Connector
<b>Gender:</b>	Plug
<b>No. of Positions:</b>	100
<b>Wire/Cable Type:</b>	Round Jacketed Cable
<b>Wire Range (mm [AWG]):</b>	0.05-0.09 <sup>2</sup> [30-28]
<b>Wire Insulation Diameter (mm [in]):</b>	0.74 – 0.91 [0.029 – 0.036]
<b>Mating Connector Lock:</b>	Without
<b>Panel Attachment:</b>	No
<b>Shielded:</b>	Yes
<b>Detent:</b>	Without

Other Properties:	
<b>Wire Termination Type:</b>	IDC
<b>Termination Cover Type:</b>	Wire Lacing
<b>Termination Cover Method:</b>	Unassembled
<b>Contact Material:</b>	Phosphor Bronze
<b>Contact Mating Area Plating:</b>	Gold (30)
<b>Solder Tail Plating:</b>	Tin-Lead over Nickel
<b>Housing Material:</b>	Thermoplastic
<b>Housing Material Flammability Rating:</b>	UL 94V-0
<b>Color:</b>	Gray
<b>Plug Shell Material:</b>	Steel
<b>Plug Shell Plating:</b>	Tin-Nickel Alloy

<b>Rails:</b>	Without
<b>Termination Cover:</b>	With
<b>Product Series:</b>	Series III
<b>Terminate To:</b>	Wire

**Comment:**

Plug connector requires backshell kit for complete assembly

---

[Copyright](#) and [Privacy Statement](#)

Visit [Tyco International, Ltd.](#)

[Products](#) | [Catalog](#) | [Brands](#) | [Industries](#) | [Commerce](#) | [Supplier](#) | [Customer Service](#) | [About](#) | [Home](#)