



Please enter U&T part number for

Popular Searches: [UTH20C01](#) [UTH16P05](#) [UTG18T01](#) [UTG96T01](#) [UTT24C01](#)

## Products List

[100 Base-T](#)

[1000 Base-T](#)

[2.5/5/10G Base-T](#)

[→ 2.5G Base-T](#)

[→ 2.5G](#)

[→ 2.5G POE](#)

[→ 2.5G UPOE](#)

[→ 5G Base-T](#)

[→ 10G Base-T](#)

Your present location: [Home](#) >> [2.5/5/10G Base-T](#) >> [2.5G Base-T](#) >> [2.5G UPOE](#) >> [UTV24C01U](#)



Name: UTV24C01U

No.: [UTV24C01U](#)

Views : 48



[Browse similar products](#)

Next : [UTV48C01U](#)

**Details**



### 2.5G BASE-T UPoE SINGLE PORT MAGNETICS MODULE

P/N: UTV24C01U DATA SHEET

Page : 1/1

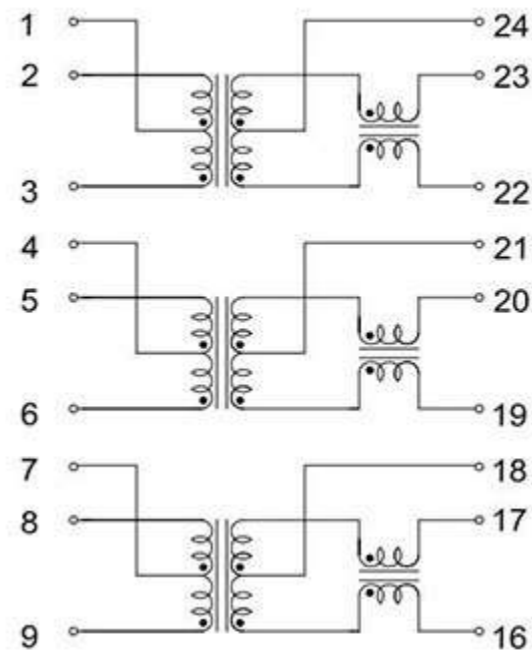
#### Feature

- Suitable for UPoE applications
- Comply with RoHS requirements.
- Operating temperature range: 0°C to +70°C.
- Storage temperature range: 0°C to +85°C.

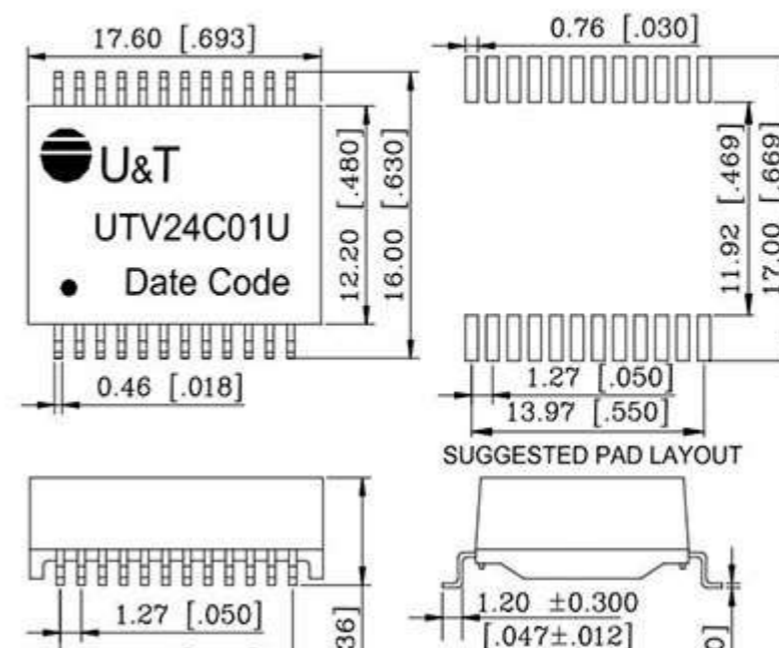
#### Electrical Specifications @ 25°C

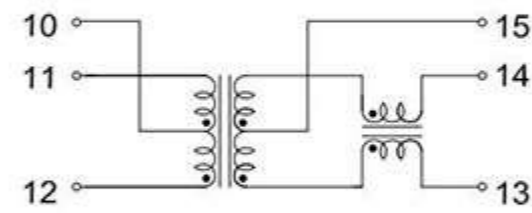
OCL:	180uH Min. @100KHz/0.1V with 8mA DC Bias
Hi-POT :	1500Vrms
Turn Ratio:	1:1±3%
D.C.R:	1.0 ohm Max
Insertion Loss:	1.0dB Max@1-100MHz
	1.5dB Max@125MHz
Cross Talk :	30dB Min@1-125MHz
DM-CM Rejection	35dB Min@1-125MHz
CM-CM Rejection	30dB Min@1-200MHz
Return Loss:	18dB Min @1-40MHz
	18-15log(f/40MHz)dB Min@40-200MHz

#### Schematic



#### Mechanical





1.Unless otherwise specified, all tolerances are  $\pm 0.25$ [.01]

2.Coplanarity:0.1[.004]

3.Unit mm[inch]

[Http://www.utlimited.com](http://www.utlimited.com)

E-mail:[sales@utlimited.com](mailto:sales@utlimited.com)

Tel:+86-752-2761008

Fax:+86-752-2761009

Key words :

LINK:

U&T HL TECHNOLOGY GROUP LIMITED



ADD: Honglin Industrial Park, Dongjiang Hi-tech Zone, Huicheng District, Huizhou City, Guangdong Province, P.R.C.  
 Zip Code: 516000  
 TEL: 0752-2761008  
 FAX: 0752-2761009  
 Email: [sales@utlimited.com](mailto:sales@utlimited.com)

### About Us

Company Profile  
 Development  
 Company Culture  
 Enterprise Honor

### Products

2.5&5&10G Base-T  
 100 Base-T  
 1000 Base-T

### Brand Value

R & D Advantage  
 Advantages  
 Quality  
 Certification

### News

Company News  
 Industry Information

### Recruitment

Positions

### Contact

Contact Us  
 Map  
 Messages