

TGM-06-2002

Module Amplifier

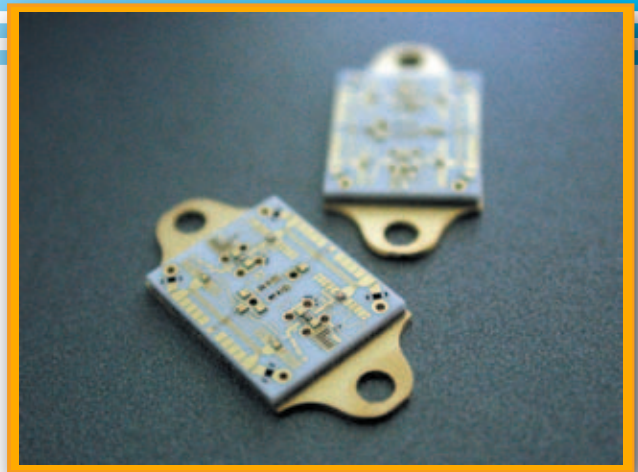
2 GHz - 6 GHz

This Module Amplifier offers exceptional performance over the band 2 GHz to 6 GHz with 14 dBm P1dB output power and 12 dB Gain.

Teledyne Microwave amplifiers are balanced or feedback designs and manufactured with the latest MIC & MMIC technology. The GaAs FET's used in these amplifiers are well established proven devices from multiple sources.

Teledyne Microwave offers a complete line of Narrow and broadband Amplifiers covering the frequency range 500 MHz to 40 GHz. These products are available in either connectorized packages or as modules. For a complete list of these products and more, please visit our website.

Other products from Teledyne Microwave include: Transceivers, Synthesizers, and YIG Products



Specifications:

Model Number: TGM-06-2002
Frequency Range: 2 GHz – 6 GHz
Gain (min): 12 dB
Gain Vs Temp Coefficient per 1 deg C: -0.011 dB
Noise Figure (max): 2.5 dB
Output Power @ 1dB Compression: 14 dBm
Gain Flatness Vs Frequency: 5 dB Slope
3rd Order Intercept (Typ): Contact Factory
Power Supply:
 Input Voltage: 11.5 to 15 VDC
 Current @ 12 VDC (typ): 80 mA
 Current @ 12 VDC (max): Contact Factory
Case Type (See attached Outline): 1006P
Temperature Range: +25C



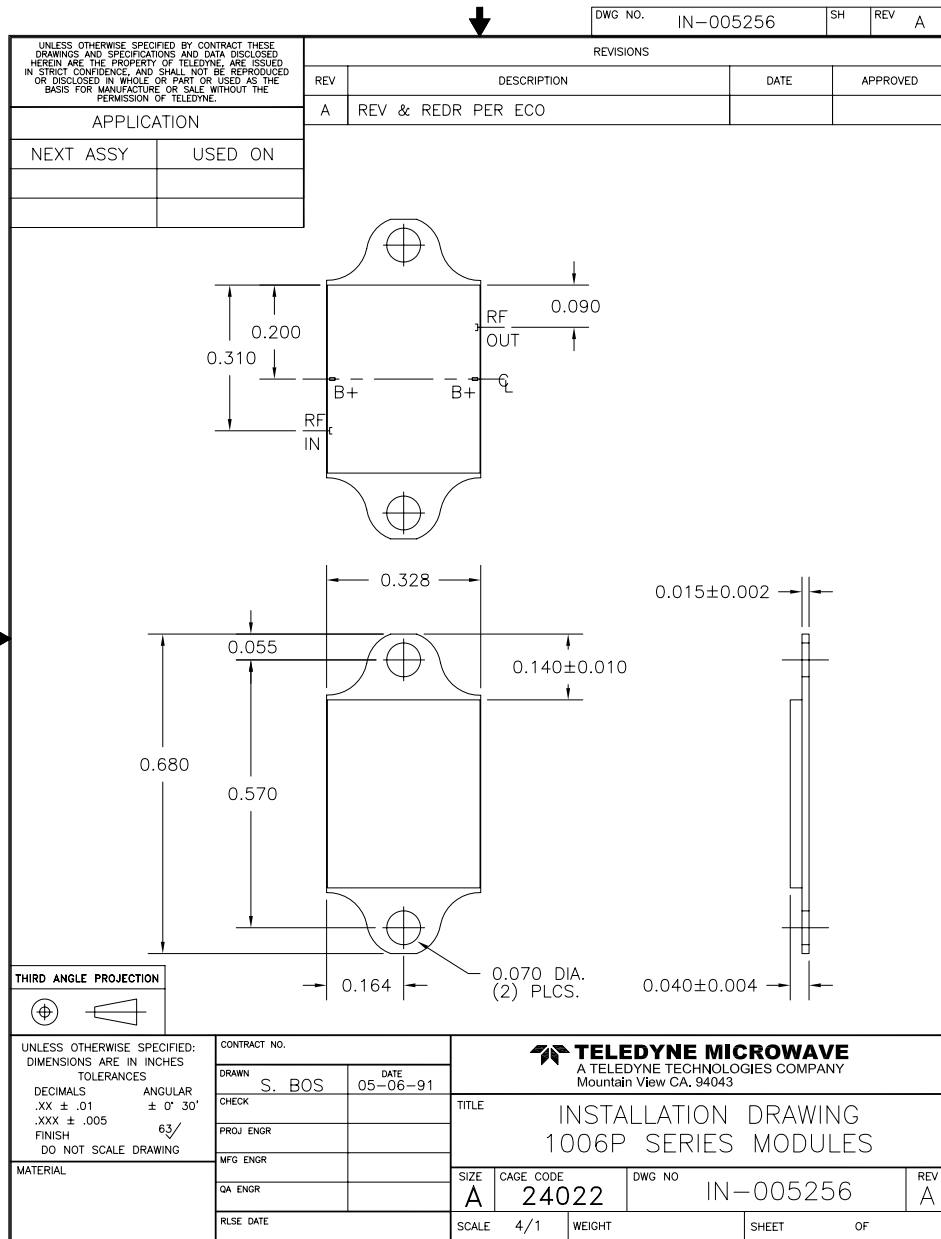
ISO 9001:2000

1274 Terra Bella Avenue, Mountain View, CA 94043 • PHN# 800.832.6869 or +1.650.962.6944 • FAX# 650.962.6845
www.teledynemicrowave.com • microwave@teledyne.com

TGM-06-2002

Module Amplifier

2 GHz - 6 GHz



THIRD ANGLE PROJECTION

UNLESS OTHERWISE SPECIFIED:
DIMENSIONS ARE IN INCHES
TOLERANCES
DECIMALS .XX ± .01
.XXX ± .005
FINISH 63/
DO NOT SCALE DRAWING

CONTRACT NO.	
DRAWN S. BOS	DATE 05-06-91
CHECK	
PROJ ENGR	
MFG ENGR	
QA ENGR	
RLSE DATE	

TELEDYNE MICROWAVE A TELEDYNE TECHNOLOGIES COMPANY Mountain View CA. 94043			
TITLE INSTALLATION DRAWING 1006P SERIES MODULES			
SIZE A	CAGE CODE 24022	DWG NO IN-005256	REV A
SCALE 4/1	WEIGHT	SHEET	OF



ISO 9001:2000

1274 Terra Bella Avenue, Mountain View, CA 94043 • PHN# 800.832.6869 or +1.650.962.6944 • FAX# 650.962.6845
www.teledynemicrowave.com • microwave@teledyne.com