

SANYO**LB8555M****General-Purpose Timer****Overview**

The LB8555M is a delay time generator IC capable of generating exact timing pulses. Both trigger pin and reset pin are provided for various uses such as monostable multivibrator, astable multivibrator. The output circuit is capable of applying 200mA sink/source current. Output is interfaceable to TTL. This IC is usable as a replacement for the 555 type.

Features

- Miniflat package enabling compactness of sets.
- Timing time settable from several μ s. to several hours.
- Monostable multivibrator consisting of R=1, C=1 ; astable multivibrator consisting of R=2, C=1.
- Adjustable duty cycle of pulse.
- 200mA sink/source current for driving external load.

Applications

- Delay time generator (monostable multivibrator).
- Sequence timer.
- Pulse generator (astable multivibrator).
- DC-DC converter.
- Pulse width modulator.

Specifications**Absolute Maximum Ratings** at $T_a = 25^\circ\text{C}$

Parameter	Symbol	Conditions	Ratings	Unit
Maximum supply voltage	$V_{CC\text{ max}}$		18	V
Output current	I_{OUT}		± 200	mA
Input voltage		Trigger, control voltage, reset, threshold	V_{CC}	V
Allowable power dissipation	$P_d\text{ max}$		300	mW
Operating temperature	T_{opr}		-20 to +75	$^\circ\text{C}$
Storage temperature	T_{stg}		-40 to +125	$^\circ\text{C}$

Allowable Operating Ranges at $T_a = 25^\circ\text{C}$

Parameter	Symbol	Conditions	Ratings	Unit
Supply voltage	V_{CC}		4.5 to 16	V
Input voltage	V_i	Trigger, control voltage, reset, threshold	V_{CC}	V
Output current	I_O		± 200	mA

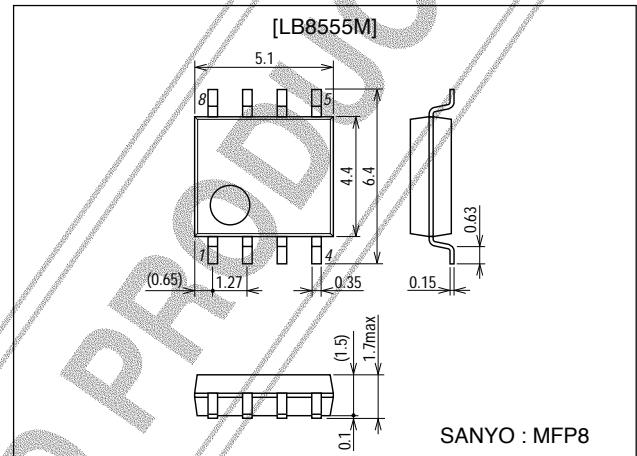
■ Any and all SANYO products described or contained herein do not have specifications that can handle applications that require extremely high levels of reliability, such as life-support systems, aircraft's control systems, or other applications whose failure can be reasonably expected to result in serious physical and/or material damage. Consult with your SANYO representative nearest you before using any SANYO products described or contained herein in such applications.

■ SANYO assumes no responsibility for equipment failures that result from using products at values that exceed, even momentarily, rated values (such as maximum ratings, operating condition ranges, or other parameters) listed in products specifications of any and all SANYO products described or contained herein.

Package Dimensions

unit:mm

3032C-MFP8

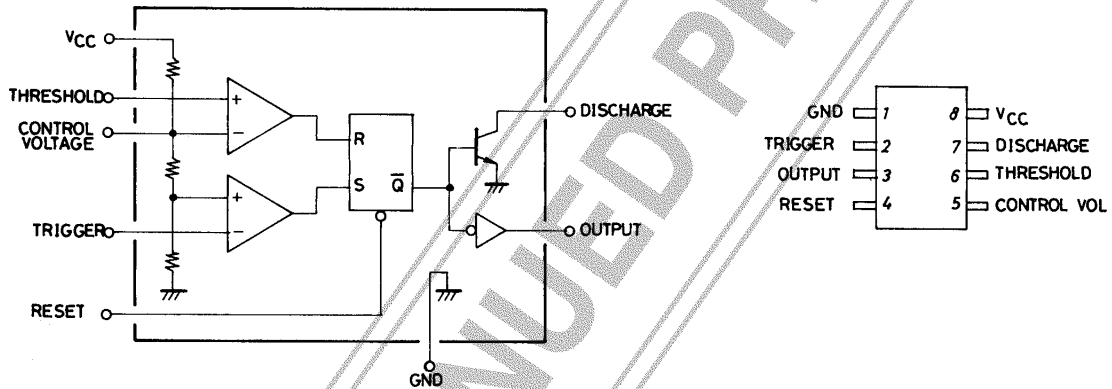


LB8555M

Electrical Characteristics at Ta = 25°C

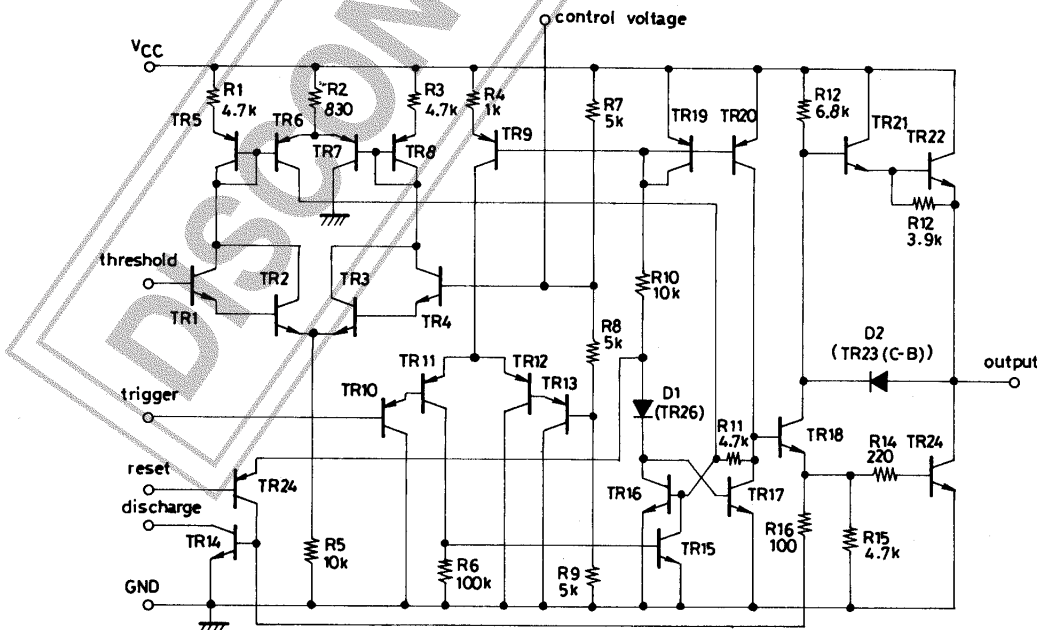
Parameter	Symbol	Conditions	Ratings			Unit
			min	typ	max	
Supply current	I_{CC1}	$V_{CC}=5V, R_L=\infty$		3		mA
	I_{CC2}	$V_{CC}=15V, R_L=\infty$		10	15	mA
Control voltage	V_{con1}	$V_{CC}=5V$	2.6	3.33	4.0	V
	V_{con2}	$V_{CC}=15V$	9	10	11	V
Threshold voltage	V_{TH}			$2/3V_{CC}$		V
Threshold current	I_{TH}			0.1		μA
Trigger voltage	V_T			$1/3V_{CC}$		V
Trigger current	I_T			0.5	1.0	μA
Reset voltage	V_{rs}			0.7	1.0	V
Reset current	I_{rs}			0.1		mA
Output low-level voltage	V_{OL}	$V_{CC}=5V, I_{sink}=5mA$		0.25	0.35	V
		$V_{CC}=15V, I_{sink}=10mA$		0.1	0.25	V
		$V_{CC}=15V, I_{sink}=100mA$		2.0	2.5	V
Output high-level voltage	V_{OH}	$V_{CC}=5V, I_{source}=100mA$	2.75	3.3		V
		$V_{CC}=15V, I_{source}=100mA$	12.75	13.3		V

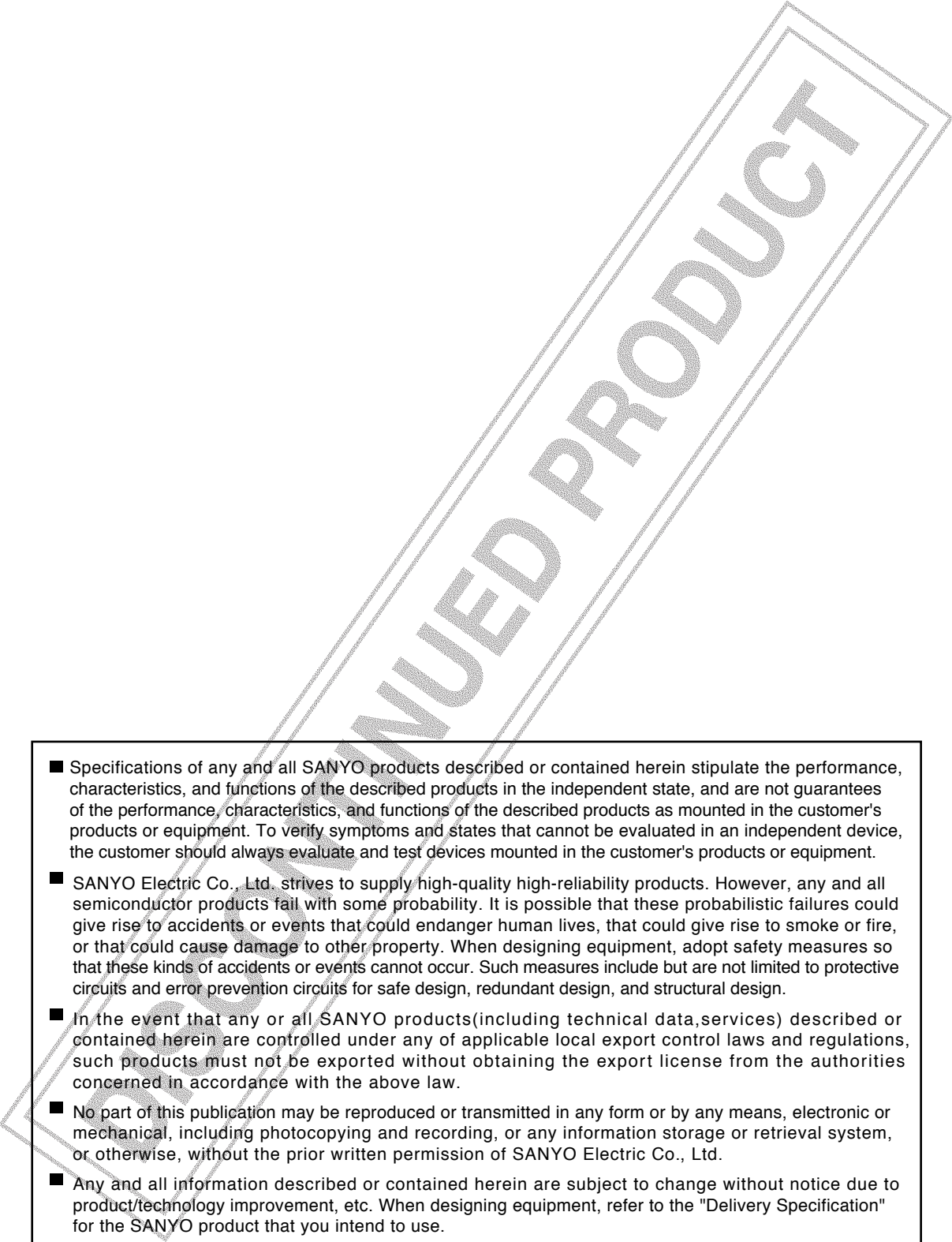
Equivalent Circuit Block Diagram and Pin Assignment



Equivalent Circuit

Unit (resistance: Ω)



- 
- Specifications of any and all SANYO products described or contained herein stipulate the performance, characteristics, and functions of the described products in the independent state, and are not guarantees of the performance, characteristics, and functions of the described products as mounted in the customer's products or equipment. To verify symptoms and states that cannot be evaluated in an independent device, the customer should always evaluate and test devices mounted in the customer's products or equipment.
 - SANYO Electric Co., Ltd. strives to supply high-quality high-reliability products. However, any and all semiconductor products fail with some probability. It is possible that these probabilistic failures could give rise to accidents or events that could endanger human lives, that could give rise to smoke or fire, or that could cause damage to other property. When designing equipment, adopt safety measures so that these kinds of accidents or events cannot occur. Such measures include but are not limited to protective circuits and error prevention circuits for safe design, redundant design, and structural design.
 - In the event that any or all SANYO products(including technical data, services) described or contained herein are controlled under any of applicable local export control laws and regulations, such products must not be exported without obtaining the export license from the authorities concerned in accordance with the above law.
 - No part of this publication may be reproduced or transmitted in any form or by any means, electronic or mechanical, including photocopying and recording, or any information storage or retrieval system, or otherwise, without the prior written permission of SANYO Electric Co., Ltd.
 - Any and all information described or contained herein are subject to change without notice due to product/technology improvement, etc. When designing equipment, refer to the "Delivery Specification" for the SANYO product that you intend to use.
 - Information (including circuit diagrams and circuit parameters) herein is for example only ; it is not guaranteed for volume production. SANYO believes information herein is accurate and reliable, but no guarantees are made or implied regarding its use or any infringements of intellectual property rights or other rights of third parties.

This catalog provides information as of February, 2001. Specifications and information herein are subject to change without notice.