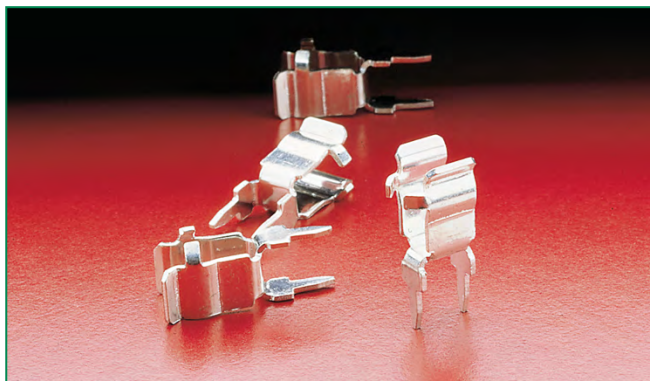




100/445/030/520 Series Circuit Board Mount Fuse Clips for 5mm Diameter Fuses RoHS



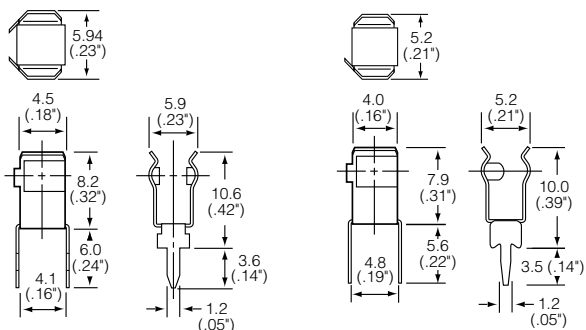
Product Characteristics

| | 100 054/056 series | 100 020 series | 445/030/520 series |
|-----------------------------|--|----------------|--------------------|
| Compatible Fuse Size | 5mm Diameter Fuses 213, 215, 216, 217, 218, 219XA, 232, 233, 234, 235, 239, 477 and 977 Series | | |
| Current Level | 10 Amp max | 20 Amp max | 10 Amp max |

Agency Approval

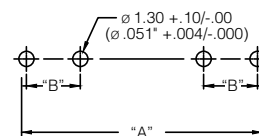
| Agency | Agency File Number | | | |
|--|--------------------|----------------|----------------|------------|
| | 100 054/056 series | 445/030 series | 100 020 series | 520 series |
|  | N/A | | N/A | E14721 |
|  | N/A | | E14721 | |

Product Dimensions



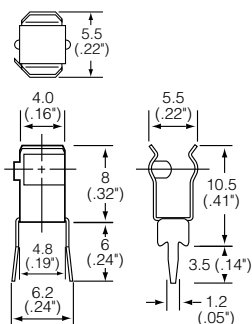
0100 0020 / 0100 0054 / 0100 0056

0445 0001 / 0030 0210



Recommended Mounting Dimensions

| Fuse Size | A Dim. | B Dim. |
|-----------|---------------|-----------------------|
| 5mm×20 mm | 20.5 (.807") | 4.60±.05(.181" ±.002) |
| 5mm×25 mm | 25.5 (1.004") | 5.20±.05(.205" ±.002) |
| 5mm×30 mm | 31.0 (1.220") | 5.80±.05(.228" ±.002) |



0520 0001

Ordering Information

| Ordering PN* | Catalog No. | Clip Material | Plating | Style | Packaging Available |
|--------------|-------------|-----------------|---------------|-------|---------------------|
| 0100 0054 | 100 054 | Spring Brass | Silver-plated | Ear | Z |
| 0100 0056 | 100 056 | Spring Brass | Tin-plated | Ear | Z |
| 0100 0020 | 100 020 | Phosphor Bronze | Tin-plated | Ear | Z |
| 0445 0001 | 445 001 | Spring Brass | Tin-plated | Ear | M or N |
| 0030 0210 | 030 210 | Spring Brass | Nickel-plated | Ear | M or N |
| 0520 0001 | 520 001 | Spring Brass | Silver-plated | Ear | M or N |

Add Suffix to the Ordering PN for Packaging

"M" = std. package 1000 pcs per pack

"N" = std. package 5000 pcs per pack

"Z" = for bulk package

Additional Information



**Datasheet
100 Series**



**Resources
100 Series**



**Samples
100 Series**



**Datasheet
445 Series**



**Resources
445 Series**



**Samples
445 Series**



**Datasheet
030 Series**



**Resources
030 Series**



**Samples
030 Series**



**Datasheet
520 Series**



**Resources
520 Series**



**Samples
520 Series**