

Delphi 11 mm MCC Squib Connectors

► Features

- Scoop-proof AK-2 interface as well as AK-1 and FCI interface available
- Excellent mating behavior, even under difficult mating conditions (blind mating)
- Robust and ergonomic design
- Full compatibility with existing initiator specifications
- Delivered in different wire lengths, wire gauges and types; please consult us for customization

► Technical Characteristics

| | |
|------------------------|---------------------|
| Serviceability | Serviceable |
| EMI filtering device | Ferrite |
| Locking type | Active CES* - CPA** |
| Termination technology | Welding |
| Contact resistance | < 10 mΩ |
| Dielectric test | 750V / DC |
| Temperature range | -40°C to +85°C |
| Pull-out force | > 150 N |



Delphi 11 mm MCC Squib Connectors

► Main Part Numbers

| Right angle version | | | | | | | | | | | |
|---------------------|-----------|--------|-------------|--------------|-----------|--------|-------------|--------------|-----------|--------|-------------|
| Product code | Interface | Coding | Part number | Product code | Interface | Coding | Part number | Product code | Interface | Coding | Part number |
| FPB90-5 | AK-2 | I | PPI0001876 | FAB90-2 | AK-1 | A | PPI0001660 | FIB90-2 | FCI | A | PPI0001633 |
| | | II | PPI0001877 | | | B | PPI0001626 | | | B | PPI0001634 |
| | | III | PPI0001878 | | | C | PPI0001627 | | | C | PPI0001635 |
| | | IV | PPI0001662 | | | | | | | | |

| Straight version | | | | | | | |
|------------------|-----------|--------|-------------|--------------|-----------|--------|-------------|
| Product code | Interface | Coding | Part number | Product code | Interface | Coding | Part number |
| FBP180-2 | AK-2 | I | PPI0001142 | FAB180-1 | AK-1 | A | PPI0001840 |
| | | II | PPI0001143 | | | B | PPI0001841 |
| | | III | PPI0001144 | | | C | PPI0001842 |

Note: user specifies pigtail wire length, wire gauge and wire type. Contact us for specification assistance.

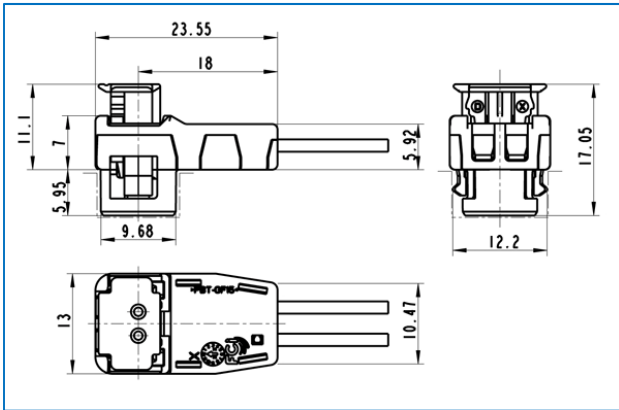
* CES: Connector Engaged Safety

** CPA: Connector Position Assurance

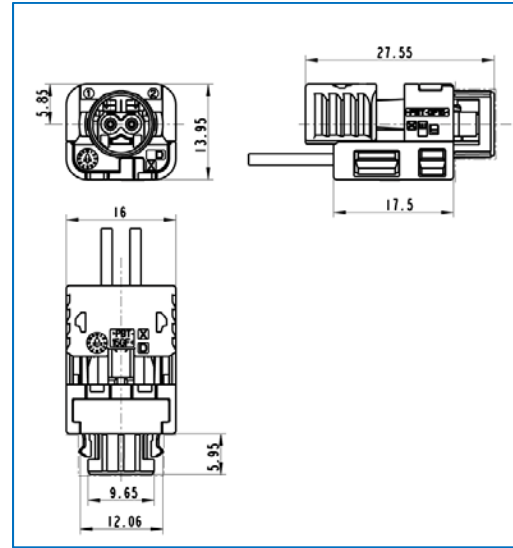
► The Delphi Advantage

Delphi is one of the world's leading automotive suppliers of advanced terminals, connectors, sealing, wiring and cable products. Delphi's deep understanding of various connection system technologies and the company's vast research and development capabilities have enabled continuing innovation.

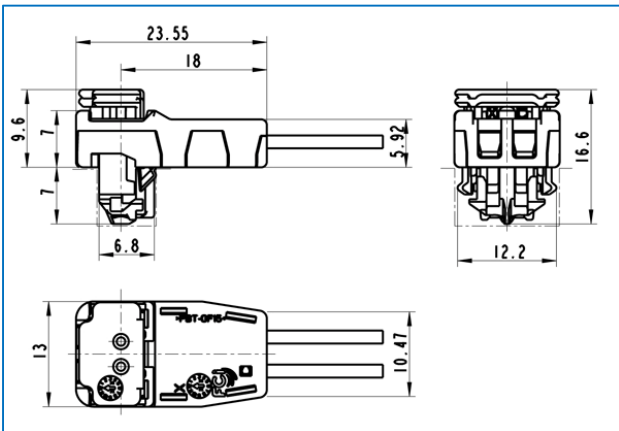
Connect with us at: www.delphi.com/connectors



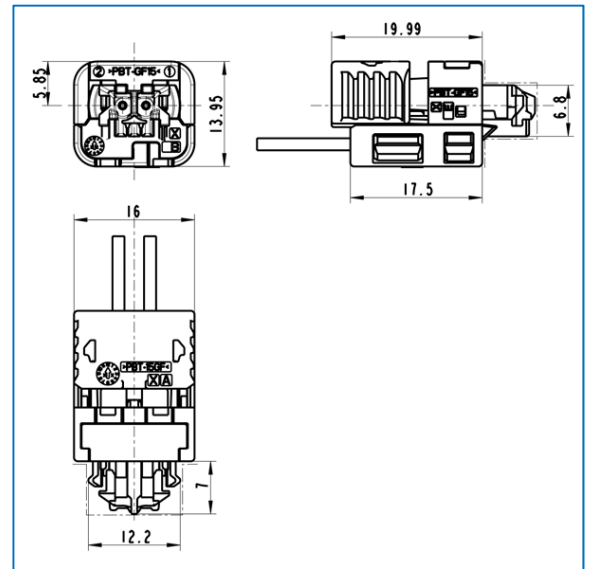
MCC AK-2 FPB90-5



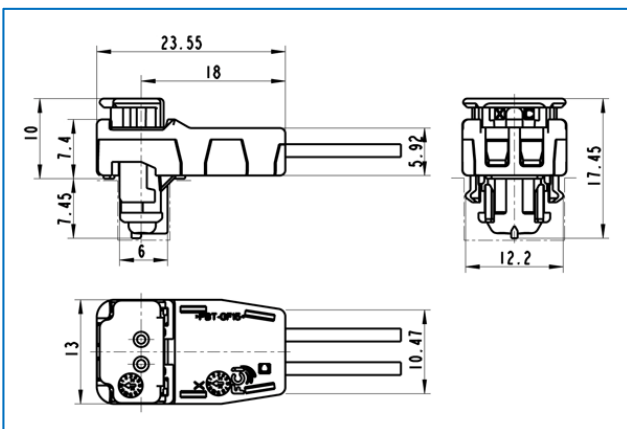
MCC AK-2 FPB180-2



MCC AK-1 FAB90-2



MCC AK-1 FAB180-1



MCC FCI FIB90-2
Dimensions in mm