

Customer Information Sheet

DRAWING No.: S502-XX / S502-XX

SHEET 3 OF 4

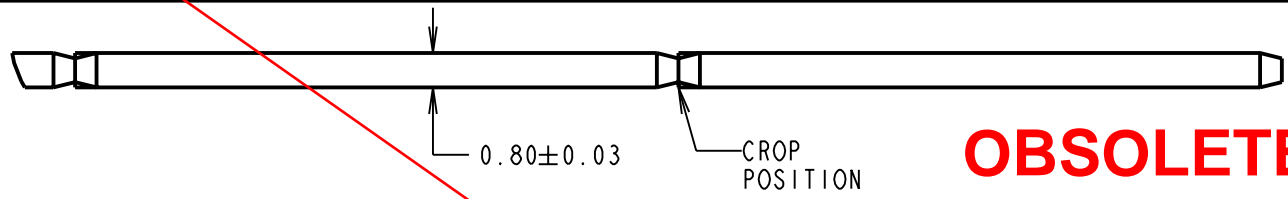
IF IN DOUBT - ASK

©

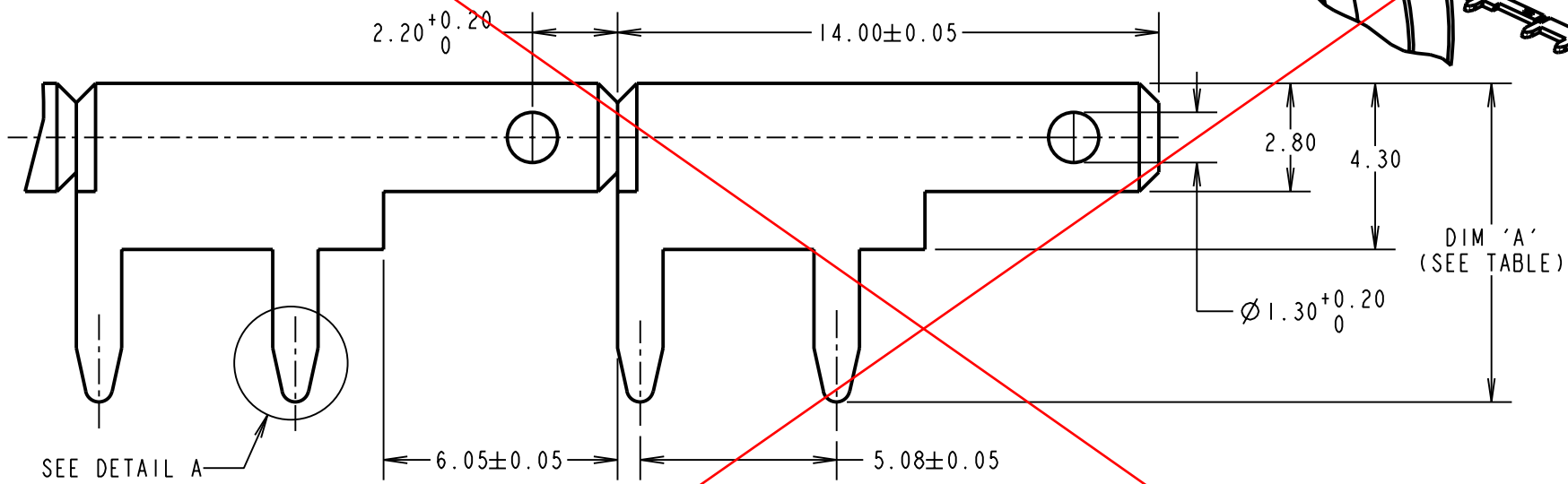
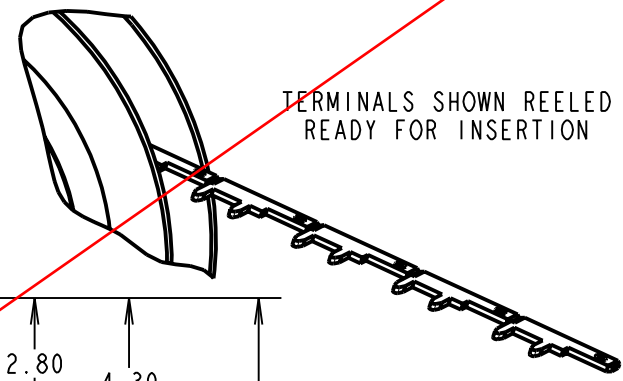
NOT TO SCALE

THIRD ANGLE PROJECTION

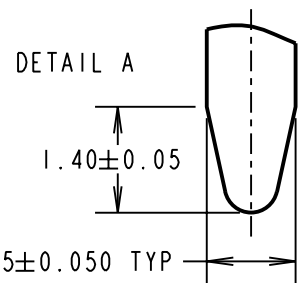
ALL DIMENSIONS IN mm



OBSOLETE



PART No.	DIM 'A'	PCB THICKNESS
S501-XX	7.15-7.45	1.60
S502-XX	7.95-8.25	2.40



ORDER CODE:
S5XX-XX
 TYPE: 01 OR 02 (SEE TABLE)
 FINISH:
 06 - 4µ 90/10 TIN/LEAD
 46 - 4µ 100% TIN

- NOTES:
 1. QUANTITY PER REEL = 15K.
 REEL WEIGHT = 6.9kg (INCLUDING REEL).
 2. RECOMMENDED MOUNTING HOLE SIZE = $\varnothing 1.25 \pm 0.06$ mm.

CP	13	29.01.10	8128
NAME	ISS.	DATE	C/NOTE
APPROVED: C.PENROSE			
CHECKED: R.ADDE			
DRAWN: I. SANDY			
CUSTOMER REF.:			
ASSEMBLY DRG:			



HARWIN USA TEL: 603 893 5376 FAX: 603 893 5396 mis@harwin.com	HARWIN Europe (UK) TEL: 023 9231 4545 FAX: 023 9231 4590 mis@harwin.co.uk	HARWIN Asia TEL: +65 6 779 4909 FAX: +65 6 779 3868 mis@harwin.com.sg
--	--	--

THIS DRAWING AND ANY INFORMATION OR DESCRIPTIVE MATTER SET OUT HEREON ARE CONFIDENTIAL AND COPYRIGHT PROPERTY OF THE HARWIN GROUP AND MUST NOT BE DISCLOSED, LOANED, COPIED OR USED FOR MANUFACTURING, TENDERING OR FOR ANY OTHER PURPOSE WITHOUT THEIR WRITTEN PERMISSION.

TOLERANCES
 X. = ±1mm
 X.X = ±0.25mm
 X.XX = ±0.10mm
 X.XXX = ±0.01mm
 ANGLES = ±5°
 UNLESS STATED

MATERIAL:
 BRASS CW508L HARD TO BS EN 1652 (CuZn37 HARD)
 FINISH: SEE ORDER CODE
 S/AREA: mm²

TITLE:
 2.8mm HORIZONTAL BLADE REELED TAB TERMINAL
 DRAWING NUMBER:
S501-XX / S502-XX
 SHT 3 OF 4

Customer Information Sheet

DRAWING No.: S502-XX / S502-XX

SHEET 4 OF 4

IF IN DOUBT - ASK

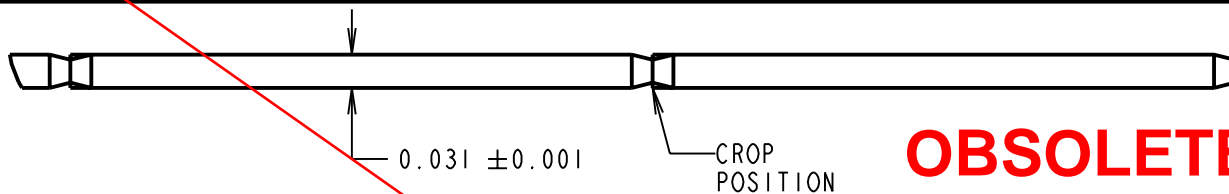
©

NOT TO SCALE

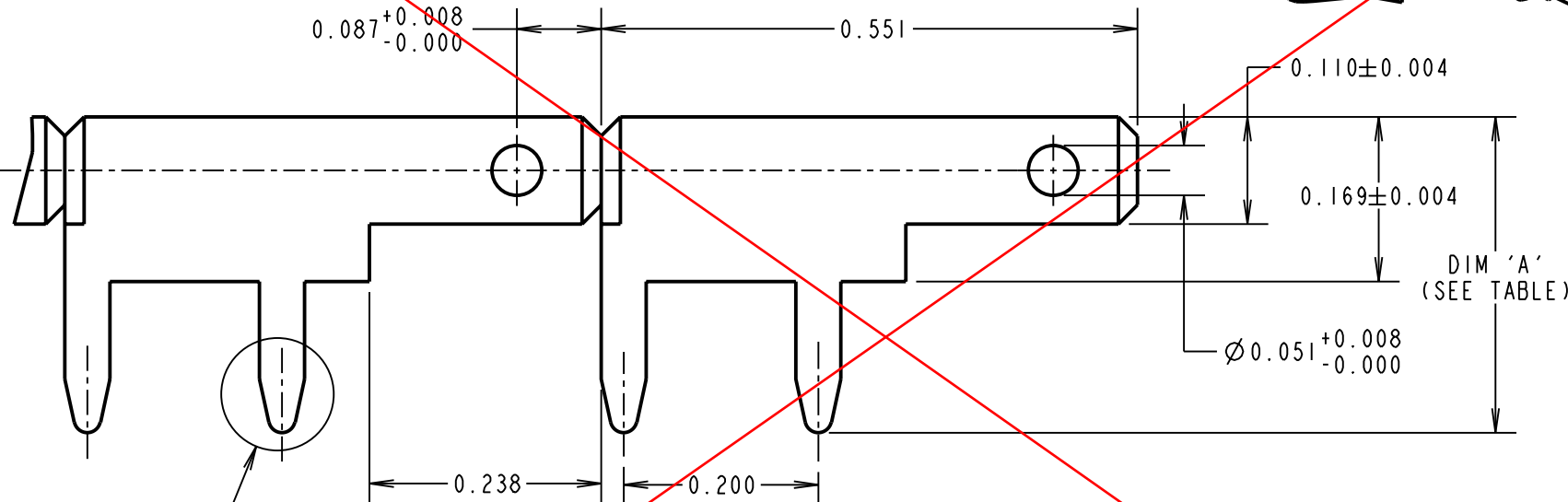
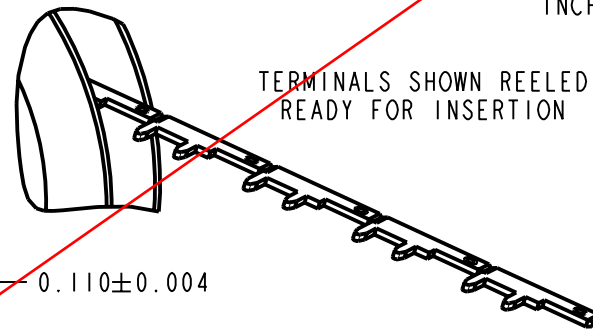
THIRD ANGLE PROJECTION

ALL DIMENSIONS IN $\frac{mm}{mm}$

INCHES

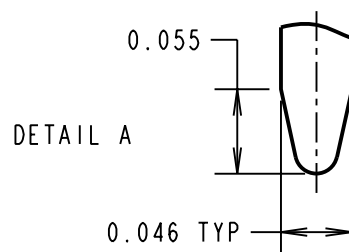


OBSOLETE



SEE DETAIL A

PART No.	DIM 'A'	PCB THICKNESS
S501-XX	0.281-0.293	0.063
S502-XX	0.313-0.325	0.094



ORDER CODE:

S5XX-XX

TYPE: 01 OR 02
(SEE TABLE)

FINISH _____

06 - 160µ" TIN/LEAD
46 - 160µ" 100% TIN

CP	13	29.01.10	8128
NAME	ISS.	DATE	C/NOTE
APPROVED: C. PENROSE			
CHECKED: R. ADDE			
DRAWN: I. SANDY			
CUSTOMER REF.:			
ASSEMBLY DRG:			

NOTES:

1. QUANTITY PER REEL = 15K.
REEL WEIGHT = 6.9kg (INCLUDING REEL).
2. RECOMMENDED MOUNTING HOLE SIZE = ∅ 0.049" ± 0.0024".
3. ALL DIMENSIONS ARE ± 0.002" UNLESS OTHERWISE STATED.

HARWIN

THIS DRAWING AND ANY INFORMATION OR DESCRIPTIVE MATTER SET OUT HEREON ARE CONFIDENTIAL AND COPYRIGHT PROPERTY OF THE HARWIN GROUP AND MUST NOT BE DISCLOSED, LOANED, COPIED OR USED FOR MANUFACTURING, TENDERING OR FOR ANY OTHER PURPOSE WITHOUT THEIR WRITTEN PERMISSION.

TOLERANCES

X = ± 1mm
X.X = ± 0.25mm
X.XX = ± 0.10mm
X.XXX = ± 0.01mm

ANGLES = ± 5°

UNLESS STATED

MATERIAL:
BRASS CW508L HARD TO BS EN 1652 (CuZn37 HARD)

FINISH: SEE ORDER CODE

S/AREA: mm²

TITLE:
0.110" BLADE HORIZONTAL REELED TAB TERMINAL

DRAWING NUMBER:
S501-XX / S502-XX

SHT 4 OF 4

HARWIN USA TEL: 603 893 5376 FAX: 603 893 5396 mis@harwin.com	HARWIN Europe (UK) TEL: 023 9231 4545 FAX: 023 9231 4590 mis@harwin.co.uk	HARWIN Asia TEL: +65 6 779 4909 FAX: +65 6 779 3868 mis@harwin.com.sg
---	---	---