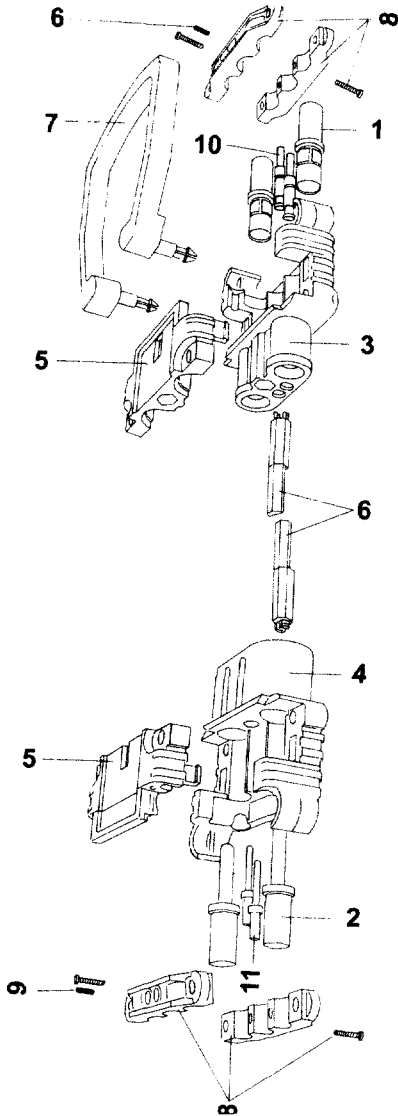
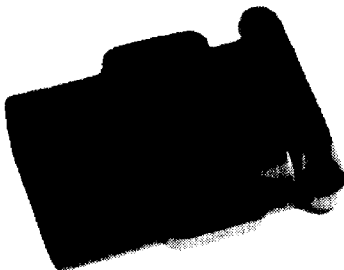


# Euro Series

## Accessories and spare parts for plug and socket connections 80 A



### Plug complete with cable clamp FT80A, 150 V



Designation	Dimensions mm <sup>2</sup>	INDEX	Weight	Cat. No.
Main contact suitable for crimping Material: E-Cu to DIN 40500 Surface: silver-plated	16	1	2.3	75317
	25		2.2	75318
Main contact pin suitable for crimping Material: E-Cu to DIN 40500 Surface: silver-plated	16	2	2.1	75314
	25		2.0	75315
Socket housing Contact holder		3	3.9	75329
Plug housing Contact holder		4	3.5	75222
Locking part for socket		5	2.0	75430
Locking part for plug			2.0	75432
Coding pin for Material: Polyamide	Wet /Wet Grey Dry Green Wet & Dry Yellow	6	0.3	75435
			0.3	75438
			0.2	75436
Handle Material: Polyamide	Black Red	7	2.8	75244
			2.8	74229
Cable clamp complete with screws Material: Polyamide		8	1.7	75251
Set screw Material: Polyamide	DIN551 M 6 x 10	9	0.05	75261
Pilot contact tube suitable for crimping Material: brass Surface: silver-plated		10	0.8	75240
Pilot contact pin suitable for crimping Material: brass Surface: silver-plated		11	0.4	75242



		Cat. No.	
mm <sup>2</sup>	With coding pins for wet batteries		
	Without	With	
Pilot contacts			
16	81220-00	81225-00	
25	81221-00	81226-00	
<b>Housing without cable clamp</b>		81240-00	

Handle Cat. No. 81235-00