

# ADSL-Transformer WSL-A12.323

## Specifications



**Application**  
Generic

### Features

Optimized magnetic shielding for low interference  
High performance, high quality design  
SMT and THT package available

### Packaging

100 pcs./tray  
7 trays/carton

### Solderability

270 - 300°C


### Isolation voltage

1875 VAC

### Operation Temperature Range

-40°C to +85°C

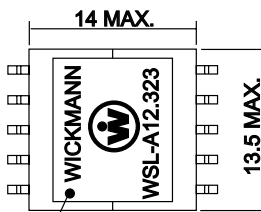
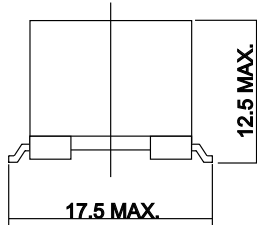
### Marking

 article-no.

### Unit Weight

7g

## Schematics & Mechanicals (mm)



BLACK DOT IS PIN NO.1

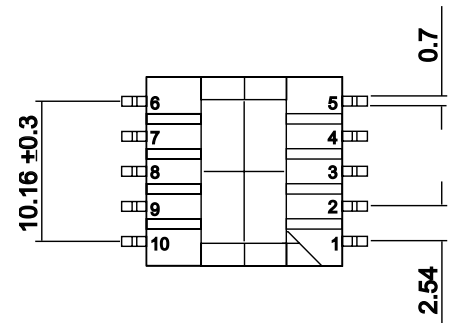
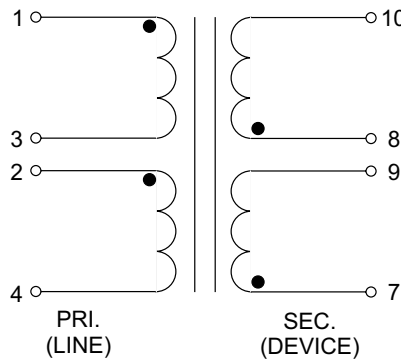
## WebLinks

### Data Sheet

[www.wickmann.com/products/WSL\\_A12323.pdf](http://www.wickmann.com/products/WSL_A12323.pdf)

### Packaging

[www.wickmann.com/pack](http://www.wickmann.com/pack)



DC Resistance:	0,65 Ω (1-3) max. ±10%
	0,65 Ω (2-4) max. ±10%
	0,73 Ω (7-9) max. ±10%
	0,73 Ω (8-10) max. ±10%
Open Circuit Inductance:	380μH ±10% @ 10kHz, 100mVAC on series, (1-4), short (2+3)
Turns Ratio:	1:1:1:1 ±1% (1-3):(2-4):(7-9):(8-10)
Leakage Inductance:	15,0μH max. 100kHz, 100mVAC (1-4), short (2+3, 7+10, 8+9)
Longitudinal Balance:	-
Interwinding Capacity:	40 pF max. @ 10kHz, 1VAC, (1-10), short (2+4, 8+9)
Reflects 100Ω @ R <sub>L</sub> =	-
Insertion Loss:	-
Total Harmonic Distortion (THD):	-

## Order Information

Qty.	Order Number
	960 4 612323 9