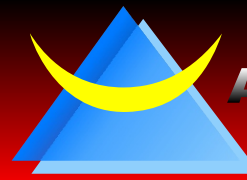


VHS5H(3H) SERIES

- 8 PIN DIP VCXO
- 5.0 and 3.3
- HCMOS Output
- Stability to ± 25 ppm



ASCEND

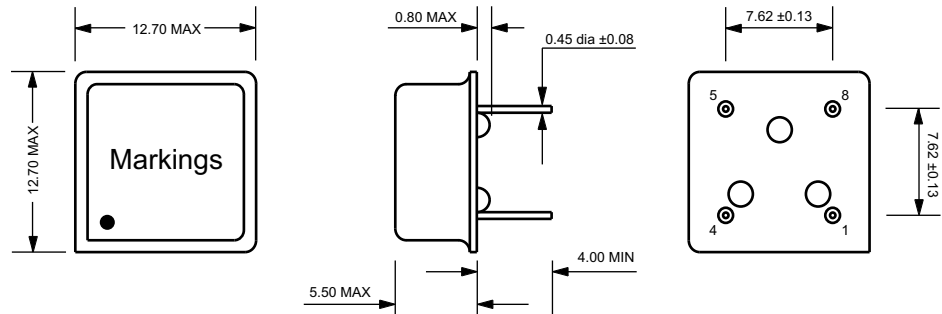
FREQUENCY DEVICES

Electrical Specifications

Frequency Range:	-	1.000MHz to 220.000MHz
Frequency Stability:	-	± 100 ppm to ± 25 ppm (Inclusive of Temperature, Load, Voltage and Aging)
Operating Temperature Range:	-	0°C to +70°C or -40°C to +85°C
Storage Temperature Range:	-	-55°C to +125°C
Supply Voltage (Vdd):	-	5.0Vdc $\pm 10\%$ or 3.3Vdc $\pm 10\%$
Supply Current:	Vdd = 5.0V Vdd = 3.3V	20mA Max. (1MHz to 29.999MHz); 30mA Max. (30MHz to 35.999MHz); 45mA Max. (36MHz to 99.999MHz); 50mA Max. (100MHz to 150MHz); 80mA Max. (150MHz to 220MHz) 10mA Max. (1MHz to 29.999MHz); 15mA Max. (30MHz to 35.999MHz); 20mA Max. (36MHz to 99.999MHz); 25mA Max. (100MHz to 150MHz); 50mA Max. (150MHz to 220MHz)
Output Voltage HCMOS:	Logic 0 Logic 1	10% Vdd Maximum 90% Vdd Minimum
Control Voltage:	Vdd = 5.0V Vdd = 3.3V	2.50Vdc ± 2.0 Vdc 1.65Vdc ± 1.5 Vdc
Load Drive Capability:	-	10TTL Gates Maximum or 15pF CMOS
Rise/Fall Time:	20% to 80% of waveform	5nSec Maximum
Start Up Time:	-	5mSec Maximum

Mechanical Dimensions

Pad	FUNCTION
1	Control Voltage
7	Case Ground
8	Output
14	Supply Voltage



MARKING

Line 1: Ascend
Line 2: XX.XXXR
("R" Denotes RoHS Compliance)
Line 3: XXXXXX (Date Code)

ALL DIMENSIONS
IN MILLIMETERS

Part Numbering Guide

VHS 5H A 1 A A W - 33.000M

Series

8 Pin DIP VCXO

Supply Voltage

5H = 5.0V
3H = 3.3V

Freq. Toler/Stab.

A = ± 100 PPM
B = ± 50 PPM
C = ± 25 PPM (Only available with 0°C to +70°C)

Temperature Range

1 = 0°C to +70°C
2 = -40°C to +85°C

Frequency

Linearity

W = $\pm 20\%$ Max
X = $\pm 5\%$ Max
Y = $\pm 10\%$ Max
Z = $\pm 15\%$ Max

Pullability

A = ± 150 ppm min
B = ± 100 ppm min
C = ± 50 ppm min
D = ± 100 ppm to ± 125 ppm
E = ± 10 ppm min
F = ± 100 ppm to ± 150 ppm
G = ± 50 ppm to ± 100 ppm
H = ± 75 ppm min

Duty Cycle

A = 40% / 60%
B = 45% / 55%

**5% linearity not available for frequencies >27MHz