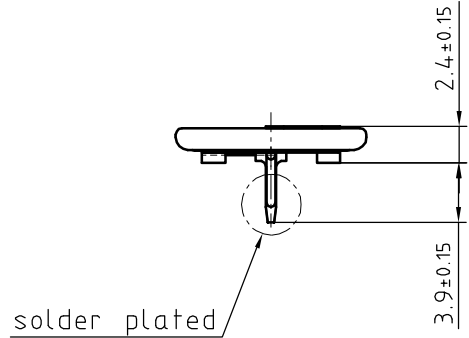
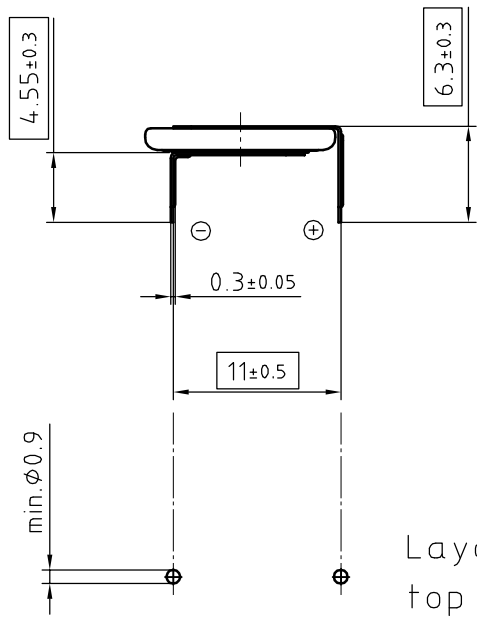
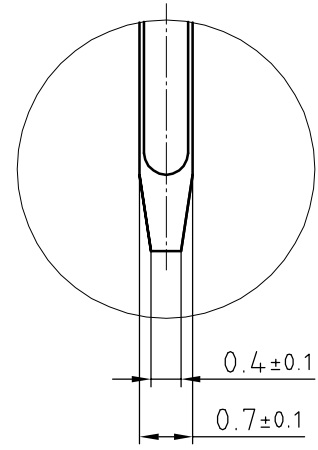
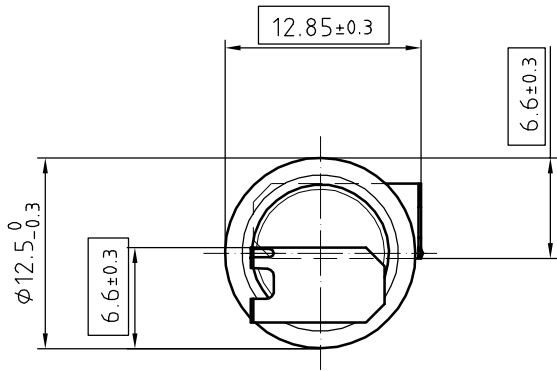


Art.-Number: 703928



Layout top view

Tab material: Stainless steel  
 Direction of tab corrugation could be to the inner side, or outer side  
 All dimensions in mm.

All framed values will be used for dimension checking !

The Products of Renata SA are neither designed nor authorized for use in certain areas of application of environment.  
 For further details we refer to our webpage [www.renata.com/downloads/restriction\\_of\\_use](http://www.renata.com/downloads/restriction_of_use)

Samples can deviate in the execution from the serie.

Dimensions and tolerances can be specified only after the testing of the devices for the mass production definitely  
 © 2018 by Renata SA Itingen/Switzerland

Rev.	①	23.08.19	PWU	Rev.	○			Customer's Approval			
Rev.	○			Rev.	○				Date		
Rev.	○			Rev.	○				Signature		
Title:								Scale	Drawn	18.05.18	PWU
CR1216 MFR FH								2:1	Checked		
									Approved		

	CH-4452 Itingen Switzerland	10.1749.4-1
--	--------------------------------	-------------