



1N5338B SERIES

SILICON ZENER DIODES

| | | | |
|----------------|-----------------------|---------------|---------------|
| VOLTAGE | 5.1 to 51 Volt | DCK 9F | 5 Watt |
|----------------|-----------------------|---------------|---------------|

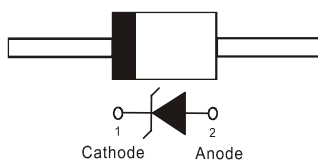
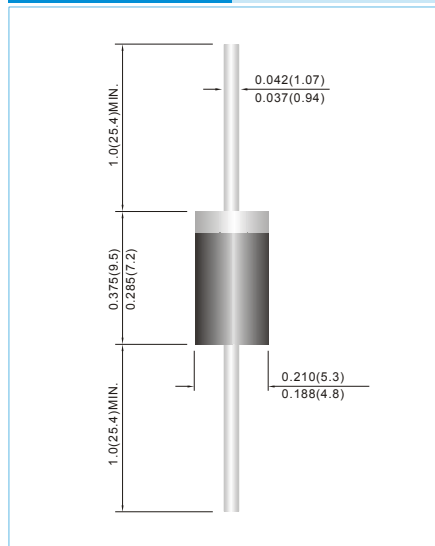
DO-201AE Unit : inch(mm)

FEATURES

- Low inductance
- Typical I_D less than 1 μ A above 13V
- Plastic package has Underwriters Laboratory Flammability Classification 94V-0
- Lead free in compliance with EU RoHS 2.0

MECHANICAL DATA

- Case: JEDEC DO-201AE molded plastic
- Terminals: Axial leads, solderable per MIL-STD-750, Method 2026
- Polarity: Color band denotes cathode end
- Weight: 0.0395 ounce, 1.122 gram



MAXIMUM RATINGS AND ELECTRICAL CHARACTERISTICS

Ratings at 25°C ambient temperature unless otherwise specified.

| Parameter | Symbol | Value | Units |
|--|----------------|-------------|------------------|
| DC Power Dissipation on $T_c = 75^\circ\text{C}$, Measure at Zero Lead Length Derate above 75°C (NOTE 1) | P_D | 5 | Watts |
| Operating Junction and Storage Temperature Range | T_J, T_{STG} | -55 to +150 | $^\circ\text{C}$ |

NOTE :

1. Mounted on 8mm² copper pads to each terminal.



1N5338B SERIES

| Part Number | Nominal Zener Voltage | | | Maximum Zener Impedance | | | | Maximum Leakage Current | |
|-------------|----------------------------------|--------|--------|-----------------------------------|-----|-----------------------------------|----|-------------------------|----------------|
| | V _Z @ I _{ZT} | | | Z _{ZT} @ I _{ZT} | | Z _{ZK} @ I _{ZK} | | I _R | V _R |
| | Nom. V | Min. V | Max. V | Ω | mA | Ω | mA | μA | V |
| 1N5338B | 5.1 | 4.85 | 5.36 | 2 | 240 | 400 | 1 | 10 | 1 |
| 1N5339B | 5.6 | 5.32 | 5.88 | 1 | 220 | 400 | 1 | 10 | 2 |
| 1N5340B | 6 | 5.7 | 6.30 | 1 | 200 | 300 | 1 | 10 | 3 |
| 1N5341B | 6.2 | 5.89 | 6.51 | 1 | 200 | 200 | 1 | 10 | 3 |
| 1N5342B | 6.8 | 6.46 | 7.14 | 1 | 175 | 200 | 1 | 10 | 5.2 |
| 1N5343B | 7.5 | 7.13 | 7.88 | 2 | 175 | 200 | 1 | 10 | 5.7 |
| 1N5344B | 8.2 | 7.79 | 8.61 | 2 | 150 | 200 | 1 | 10 | 6.2 |
| 1N5345B | 8.7 | 8.27 | 9.14 | 2 | 150 | 200 | 1 | 10 | 6.6 |
| 1N5346B | 9.1 | 8.65 | 9.56 | 2 | 150 | 150 | 1 | 7.5 | 6.9 |
| 1N5347B | 10 | 9.5 | 10.5 | 2 | 125 | 125 | 1 | 5 | 7.6 |
| 1N5348B | 11 | 10.45 | 11.55 | 3 | 125 | 125 | 1 | 5 | 8.4 |
| 1N5349B | 12 | 11.4 | 12.6 | 3 | 100 | 125 | 1 | 2 | 9.1 |
| 1N5350B | 13 | 12.35 | 13.65 | 3 | 100 | 100 | 1 | 1 | 9.9 |
| 1N5351B | 14 | 13.3 | 14.7 | 3 | 100 | 75 | 1 | 1 | 10.6 |
| 1N5352B | 15 | 14.25 | 15.75 | 3 | 75 | 75 | 1 | 1 | 11.5 |
| 1N5353B | 16 | 15.2 | 16.8 | 3 | 75 | 75 | 1 | 1 | 12.2 |
| 1N5354B | 17 | 16.15 | 17.85 | 3 | 70 | 75 | 1 | 0.5 | 12.9 |
| 1N5355B | 18 | 17.1 | 18.9 | 3 | 65 | 75 | 1 | 0.5 | 13.7 |
| 1N5356B | 19 | 18.05 | 19.95 | 3 | 65 | 75 | 1 | 0.5 | 14.4 |
| 1N5357B | 20 | 19 | 21 | 3 | 65 | 75 | 1 | 0.5 | 15.2 |
| 1N5358B | 22 | 20.9 | 23.1 | 4 | 50 | 75 | 1 | 0.5 | 16.7 |
| 1N5359B | 24 | 22.8 | 25.2 | 4 | 50 | 100 | 1 | 0.5 | 18.2 |
| 1N5360B | 25 | 23.75 | 26.25 | 4 | 50 | 110 | 1 | 0.5 | 19 |
| 1N5361B | 27 | 25.65 | 28.35 | 5 | 50 | 120 | 1 | 0.5 | 20.6 |
| 1N5362B | 28 | 26.6 | 29.4 | 6 | 50 | 130 | 1 | 0.5 | 21.2 |
| 1N5363B | 30 | 28.5 | 31.5 | 8 | 40 | 140 | 1 | 0.5 | 22.8 |
| 1N5364B | 33 | 31.35 | 34.65 | 10 | 40 | 150 | 1 | 0.5 | 25.1 |
| 1N5365B | 36 | 34.2 | 37.8 | 11 | 30 | 160 | 1 | 0.5 | 27.4 |
| 1N5366B | 39 | 37.05 | 40.95 | 14 | 30 | 170 | 1 | 0.5 | 29.7 |
| 1N5367B | 43 | 40.85 | 45.15 | 20 | 30 | 190 | 1 | 0.5 | 32.7 |
| 1N5368B | 47 | 44.65 | 49.35 | 25 | 25 | 210 | 1 | 0.5 | 35.8 |
| 1N5369B | 51 | 48.45 | 53.55 | 27 | 25 | 230 | 1 | 0.5 | 38.8 |



1N5338B SERIES

RATING AND CHARACTERISTIC CURVES



Fig.1 Power temperature Derating Curve

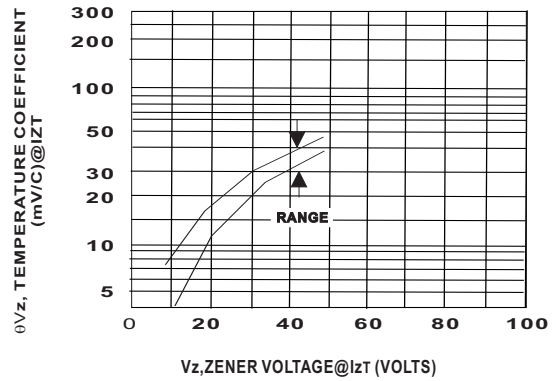


Fig.2 Temperature Coefficient-Range for Units 11 to 39 Volts

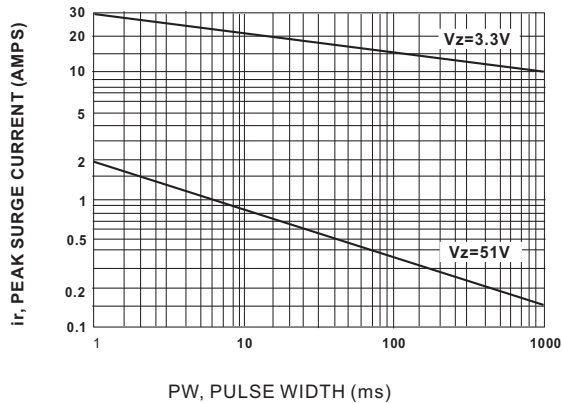


Fig.3 Peak Surge Current versus Pulse Width

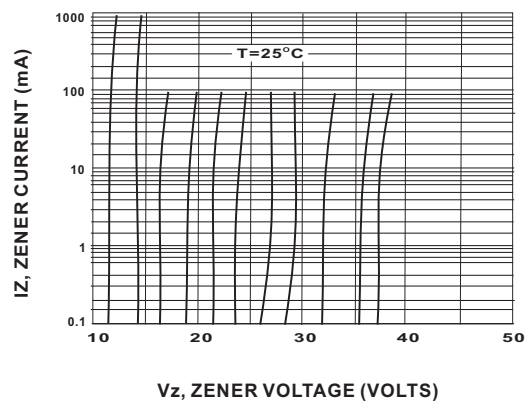


Fig.4 Zener Voltage versus Zener Current Vz=11 thru 39 Volts



1N5338B SERIES

Part No_packing code_Version

1N5338B_AY_00001
 1N5338B_AY_10001
 1N5338B_B0_00001
 1N5338B_B0_10001
 1N5338B_R2_00001
 1N5338B_R2_10001

For example :

RB500V-40_R2_00001



| Packing Code XX | | | | Version Code XXXXX | | |
|--------------------------------------|----------------------|----------------------------------|----------------------|---------------------------|----------------------|---------------------------------------|
| Packing type | 1 st Code | Packing size code | 2 nd Code | HF or RoHS | 1 st Code | 2 nd ~5 th Code |
| Tape and Ammunition Box (T/B) | A | N/A | 0 | HF | 0 | serial number |
| Tape and Reel (T/R) | R | 7" | 1 | RoHS | 1 | serial number |
| Bulk Packing (B/P) | B | 13" | 2 | | | |
| Tube Packing (T/P) | T | 26mm | X | | | |
| Tape and Reel (Right Oriented) (TRR) | S | 52mm | Y | | | |
| Tape and Reel (Left Oriented) (TRL) | L | PANASERT T/B CATHODE UP (PBCU) | U | | | |
| FORMING | F | PANASERT T/B CATHODE DOWN (PBCD) | D | | | |



1N5338B SERIES

Disclaimer

- Reproducing and modifying information of the document is prohibited without permission from Panjit International Inc..
- Panjit International Inc. reserves the rights to make changes of the content herein the document anytime without notification. Please refer to our website for the latest document.
- Panjit International Inc. disclaims any and all liability arising out of the application or use of any product including damages incidentally and consequentially occurred.
- Panjit International Inc. does not assume any and all implied warranties, including warranties of fitness for particular purpose, non-infringement and merchantability.
- Applications shown on the herein document are examples of standard use and operation. Customers are responsible in comprehending the suitable use in particular applications. Panjit International Inc. makes no representation or warranty that such applications will be suitable for the specified use without further testing or modification.
- The products shown herein are not designed and authorized for equipments requiring high level of reliability or relating to human life and for any applications concerning life-saving or life-sustaining, such as medical instruments, transportation equipment, aerospace machinery et cetera. Customers using or selling these products for use in such applications do so at their own risk and agree to fully indemnify Panjit International Inc. for any damages resulting from such improper use or sale.
- Since Panjit uses lot number as the tracking base, please provide the lot number for tracking when complaining.

Mouser Electronics

Authorized Distributor

Click to View Pricing, Inventory, Delivery & Lifecycle Information:

Panjit:

[1N5345B_AY_00001](#) [1N5345B_R2_10001](#) [1N5345B_B0_00001](#) [1N5345B_R2_00001](#) [1N5345B_B0_10001](#)
[1N5345B_AY_10001](#)