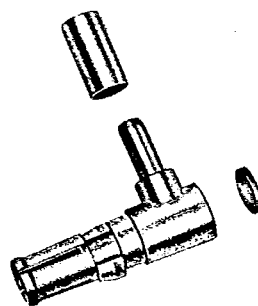


Right Angle
Receptacles

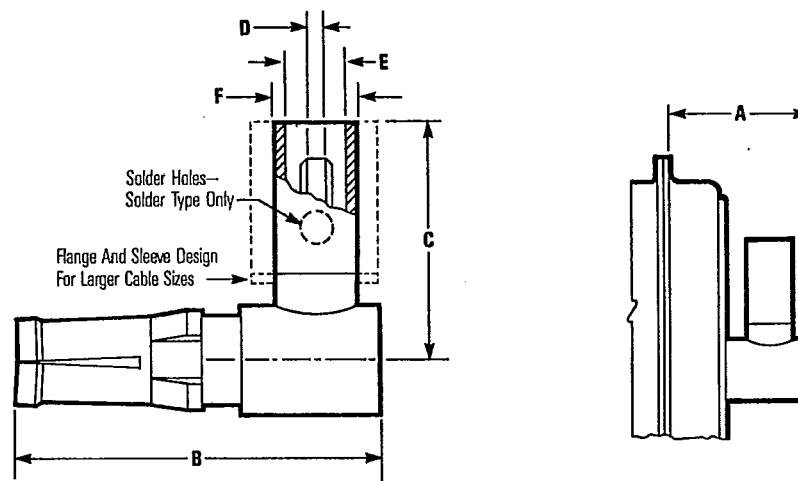
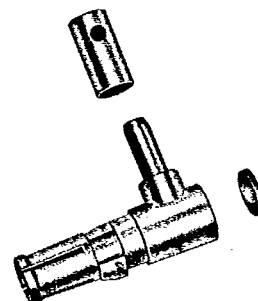


A-18-25

Crimp Braid Contact



Solder Braid Contact



Photos are 1/2 x actual size

Ordering Information

Dimensions

Catalog Number Standard Plating	Military Plating	A		B		C		D		E		F		Use With RG Cable or Equivalent
		in	mm	in	mm	in	mm	in	mm	in	mm	in	mm	
Crimp Braid Contact														
CN0962-R01C1	CN0962-R01C2	.530	13.46	.734	18.64	.492	12.50	.040	1.02	.093	2.36	.120	3.05	RG 178 B/U
CN0962-R04C1	CN0962-R04C2	.530	13.46	.734	18.64	.492	12.50	.067	1.70	.125	3.18	.152	3.86	RG 179 B/U RG 316 B/U
CN0962-R07C1	CN0962-R07C2	.530	13.46	.734	18.64	.601	15.27	.110	2.79	.202	5.13	.235	5.97	RG 180 B/U
CN0962-R08C1	CN0962-R08C2	.530	13.46	.734	18.64	.601	15.27	.110	2.79	.202	5.13	.235	5.97	RG 58 B/U

Specials

CN0962-R04C1-01
CN0962-R01C2-01
CN0962-R01C8

Description for each of these right angle receptacles can be determined by using the Part Number System explained on page 12.

Catalog Number Standard Plating	Military Plating	A		B		C		D		E		F		Use With RG Cable or Equivalent
		in	mm	in	mm	in	mm	in	mm	in	mm	in	mm	
Solder Braid Contact														
CN0962-R01S1	CN0962-R01S2	.530	13.46	.734	18.64	.492	12.50	.040	1.02	.093	2.36	.125	3.18	RG 178 B/U
CN0962-R04S1	CN0962-R04S2	.530	13.46	.734	18.64	.492	12.50	.067	1.70	.125	3.18	.152	3.86	RG 179 B/U RG 316 B/U
CN0962-R07S1	CN0962-R07S2	.530	13.46	.734	18.64	.601	15.27	.110	2.79	.202	5.13	.235	5.97	RG 180 B/U
CN0962-R08S1	CN0962-R08S2	.530	13.46	.734	18.64	.601	15.27	.125	3.18	.202	5.13	.235	5.97	RG 58 B/U

Specials

CN0962-R01S1-02 CN0962-R04S14 CN0962-R01S15 CN0962-R07S17
 CN0962-R02S1 CN0962-R01S14 CN0962-R04S15 CN0962-R04S2-03
 CN0962-R04S1-03 CN0962-R08S14 CN0962-R01S17 CN0962-R04S8
 CN0962-R01S13-04 CN0962-R05S1 CN0962-R02S17

Description for each of these right angle receptacles can be determined by using the Part Number System explained on page 12.

Reverse Type Right Angle Receptacles
 The reverse type right angle receptacle has a receptacle outer shell but an inner socket contact. All other D-Subminiature features are the same as regular D-Subminiature Coax Contacts.

Description for each of these reverse contacts can be determined by using the Part Number System on page 12.

Catalog Number Reverse Type Rt. Angle Receptacles
 CN0962-RR07S1
 CN0962-RR01S2