

# Customer Information Sheet

DRAWING No.: S421-XX

SHEET 3 OF 3

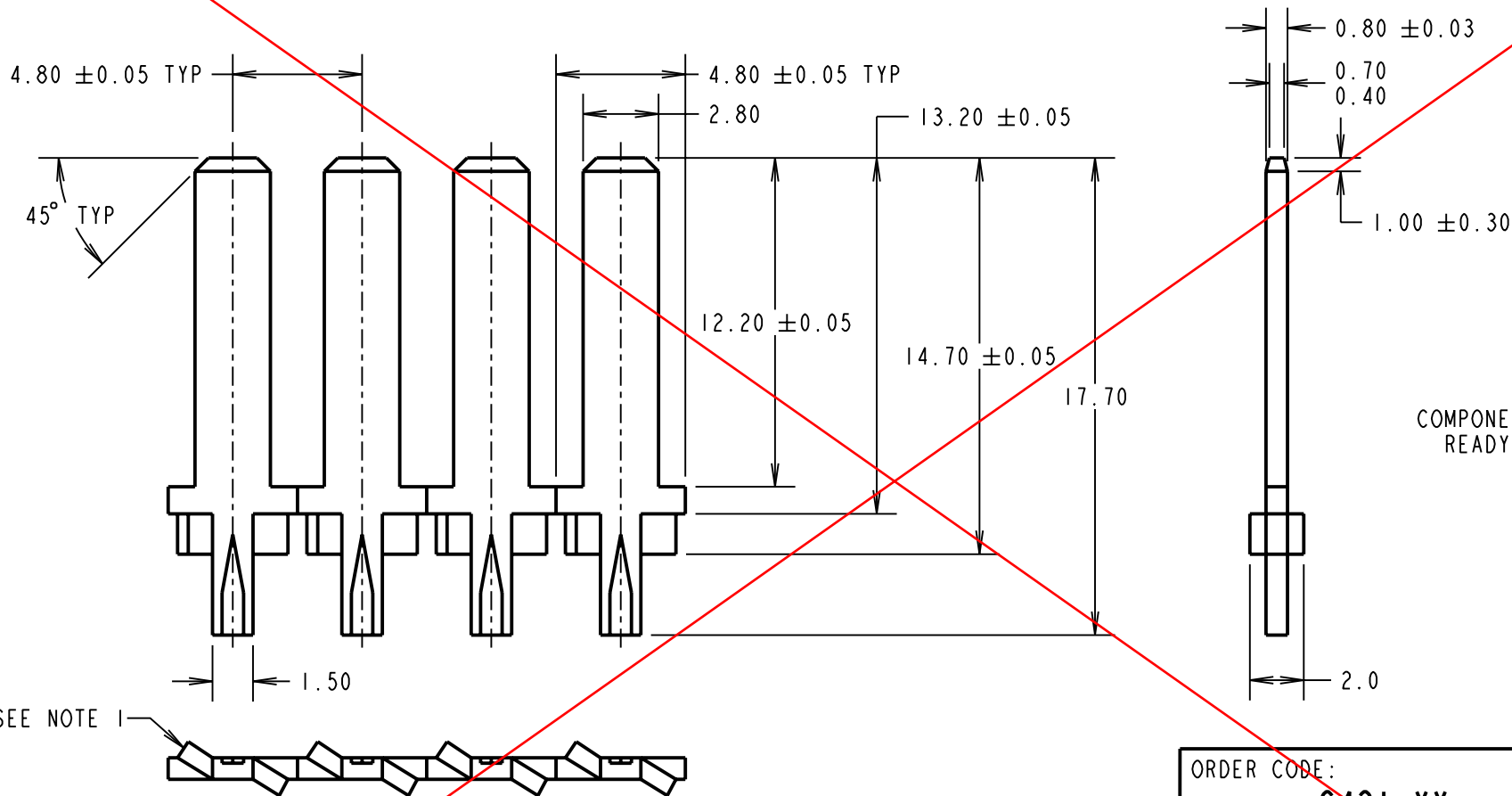
IF IN DOUBT - ASK

©

NOT TO SCALE

THIRD ANGLE PROJECTION

ALL DIMENSIONS IN mm



COMPONENTS SHOWN REELED  
READY FOR INSERTION

SEE NOTE 1



**OBSOLETE**

ORDER CODE:  
**S421-XX**  
FINISH:  
06 = 4μ 90/10 TIN/LEAD  
46 = 4μ 100% TIN

CP	C	12.02.10	8128
NAME	ISS.	DATE	C/NOTE
APPROVED: C. PENROSE			
CHECKED:		R. ADDE	
DRAWN:		D. BECK	
CUSTOMER REF.:			
ASSEMBLY DRG:			

- NOTES:
- ANTI-ROCKING FEATURE.
  - QUANTITY OF TABS PER REEL = 14,000.  
TOTAL WEIGHT PER REEL = 10.11kg (INCLUDING REEL).

**HARWIN**

HARWIN USA TEL: 603 893 5376 FAX: 603 893 5396 mis@harwin.com	HARWIN Europe (UK) TEL: 023 9231 4545 FAX: 023 9231 4590 mis@harwin.co.uk	HARWIN Asia TEL: +65 6 779 4909 FAX: +65 6 779 3868 mis@harwin.com.sg
--	--	--

THIS DRAWING AND ANY INFORMATION OR DESCRIPTIVE MATTER SET OUT HEREON ARE CONFIDENTIAL AND COPYRIGHT PROPERTY OF THE HARWIN GROUP AND MUST NOT BE DISCLOSED, LOANED, COPIED OR USED FOR MANUFACTURING, TENDERING OR FOR ANY OTHER PURPOSE WITHOUT THEIR WRITTEN PERMISSION.

TOLERANCES  
X. = ±1mm  
X.X = ±0.25mm  
X.XX = ±0.10mm  
X.XXX = ±0.01mm  
ANGLES = ±5°  
UNLESS STATED

MATERIAL:  
BRASS CW508L H150  
TO BS EN 1652  
FINISH: SEE ABOVE  
S/AREA: mm<sup>2</sup>

TITLE:  
2.8mm BLADE VERTICAL  
REELED TAB TERMINAL  
DRAWING NUMBER:  
**S421-XX**  
SHT  
3 OF 3