

TELECOMMUNICATION WET COUPLING TRANSFORMER DESIGNED TO OPERATE FROM -45dBm TO +10dBm WITH 0 TO 90mADC IN PRIMARY AND REFLECT A PRIMARY SOURCE IMPEDANCE OF APPROXIMATELY 600Ω WITH 600Ω LOAD ON SECONDARY:

MODEL NUMBER
TTC-221

A. Electrical Specifications (@ 25 ° C)

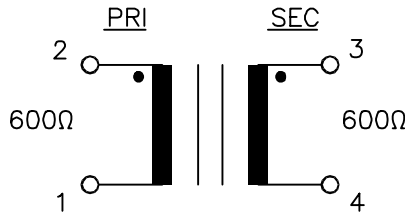
1. Pri Source Impedance; 600 Ω
2. Sec Load Impedance; 600 Ω
3. Pri DC Unbalance Current; 90mA (1-2)
4. Operating Level; -45 dBm to +10 dBm
5. Insertion Loss; 2.0 dB MAX @ 1.8 KHz 0 dBm and DC90mA
6. Frequency Response (relative to 1.8 KHz)
 - +0.2dB, -1.7dB @ 500 to 3,500 Hz 0 dBm and DC90mA
 - +0.2dB, -3.5dB @ 300 to 3,500 Hz 0 dBm and DC90mA
7. Pri Impedance; 600 Ω t+10%, -35% @ 500 to 1,800 Hz 0 dBm and DC90mA
8. Pri Return Loss; 14 dB MIN @ 1.8 KHz 0 dBm and DC90mA
9. Longitudinal Balance; 60 dB MIN @ 200 to 4,000 Hz
10. Total Harmonic Distortion; 1.0% MAX @ 300 to 3,500 Hz 0 dBm and DC80mA
11. DC Resistance;
 - (1-2) = 71 Ω t±20%
 - (3-4) = 120 Ω t±20%
12. Turns Ratio; (1-2) : (4-3) = 1 : 1.11 t±2%
13. Dielectric Strength;
 - 3750 Vrms 1 minute @ Pri to Sec
 - 1500 Vrms 1 minute @ Pri to Core, Sec to Core



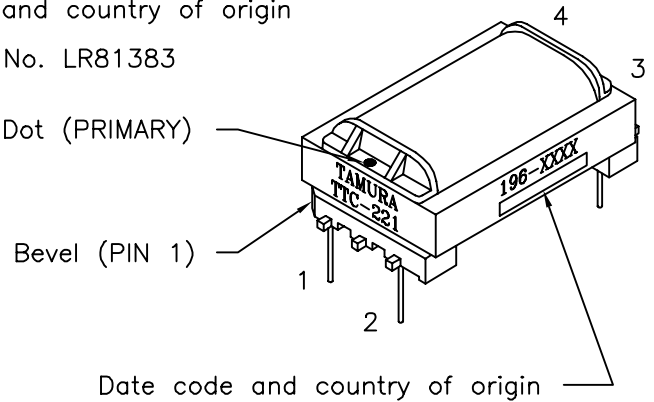
B. Marking; TTC-221, TAMURA, date code and country of origin

C. Safety; CSA C22.2 No. 66-M1988 File No. LR81383
UL 1863 File No. E142035

D. Schematic Diagram



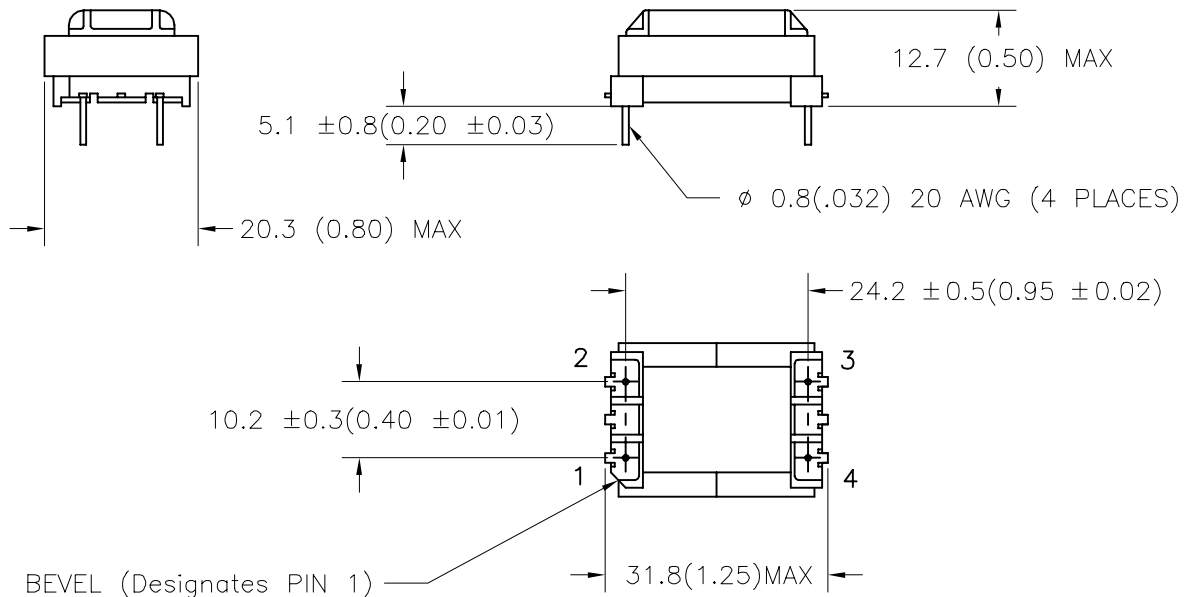
White Dot (PRIMARY)



Bevel (PIN 1)

Date code and country of origin

E. Mechanical Specifications



BEVEL (Designates PIN 1)

PREPARED BY:

K. Brennan

ENGINEER:

T. Shiozawa

QUALITY CONTROL:

M. Ong

APPROVED:

M. Ong

DWG CONTROL NO. P-A1-10564
ACAD\TTC\A1105641.DWG

REV A

TELECOMMUNICATION COUPLING TRANSFORMER

TAMURA CORPORATION OF AMERICA
43352 BUSINESS PARK DRIVE, TEMECULA, CA. 92590-6624
(909) 699-1270 FAX 9096769482

TTC-221
MODEL SPECIFICATION
DIM: mm(In) SCL: 1/1 SH: 1 OF 1

PROPRIETARY NOTICE: THIS DRAWING PRINT OR DOCUMENT AND SUBJECT MATTER DISCLOSED HEREIN ARE PROPRIETARY ITEMS TO WHICH TAMURA RETAINS THE EXCLUSIVE RIGHT OF DISSEMINATION, REPRODUCTION, MANUFACTURE AND SALE. THIS DRAWING, PRINT OR DOCUMENT IS SUBMITTED IN CONFIDENCE FOR CONSIDERATION BY THE RECIPIENT ALONE UNLESS PERMISSION FOR FURTHER DISCLOSURE IS EXPRESSLY GRANTED IN WRITING.