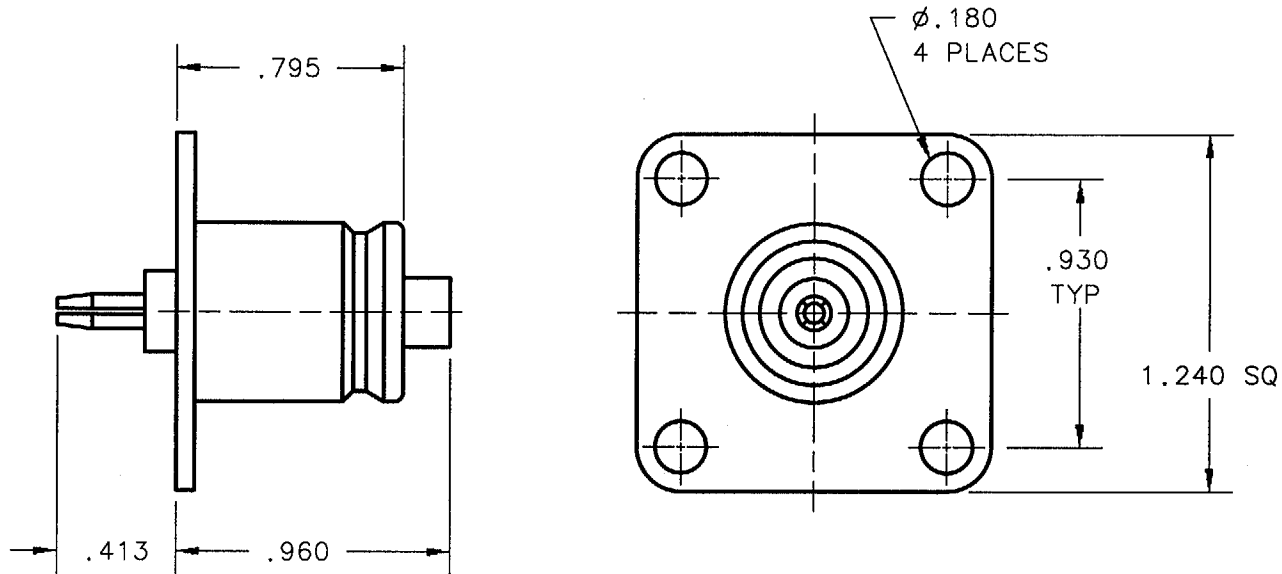


DWG. NO

TRU-8027-SNT



MATERIAL

INSULATOR - TEFLON
 CONTACT - BERYLLIUM COPPER
 BODY - BRASS

FINISH

BODY - NICKEL PLATED
 CONTACT - SILVER PLATED



CAGE-92180

TRU-CONNECTOR CORPORATION

245 LYNNFIELD STREET
 PEABODY, MASSACHUSETTS 01960
 phone: 508-532-0775
 fax: 508-531-6993

DESCRIPTION

CONNECTOR, COAXIAL, RF
 SERIES: QDS-UL(F) TO QC(M)
 ADAPTER, STRAIGHT

DRAWN BY WWW	DATE 11-21-96	SCALE 1.5X	CHKD. BY <i>Koch</i>	FILE AS TRU-8027-SNT
-----------------	------------------	---------------	-------------------------	-------------------------

REFERENCE	DWG. NO. TRU-8027-SNT
-----------	--------------------------