

ADAPTERS, BETWEEN SERIES

TYPN N / 3.5mm, DC - 18 GHz, Precision

SPECIFICATIONS:

Models: 5144, 5145, 5146, 5147

RoHS
Compliant

AEROFLEX
A passion for performance.

Electrical:

Frequency Range _____ DC - 18 GHz
VSWR _____ 1.12:1 Max.
Impedance _____ 50 Ohms
Operating Temp. Range _____ -65°C to +125°C

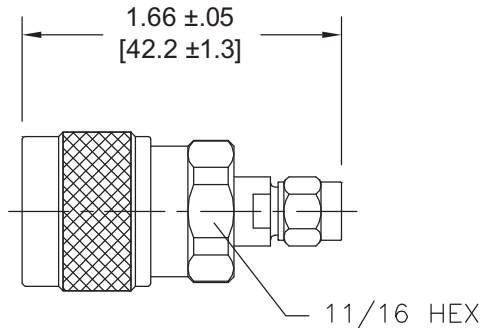
Mechanical:

Type N Connectors _____ Passivated Stainless Steel
Mates with MIL-STD-348
3.5mm Connectors _____ Passivated Stainless Steel
Mates both Electrically and Mechanically with all
SMA & K* Series Connectors.
Conductors _____ Gold Plated Beryllium Copper

K* is a Trademark of Wiltron Corp.

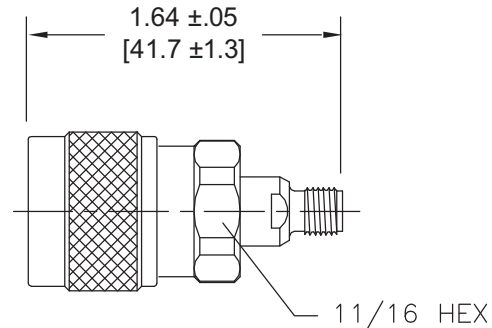
Model Number: **5144**

Type N Male / 3.5mm Male



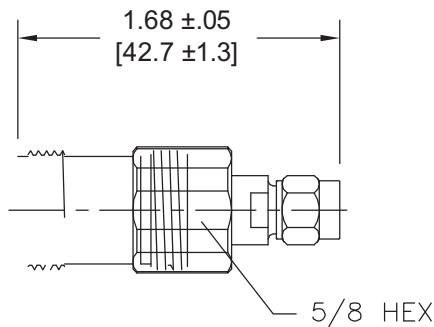
Model Number: **5145**

Type N Male / 3.5mm Female



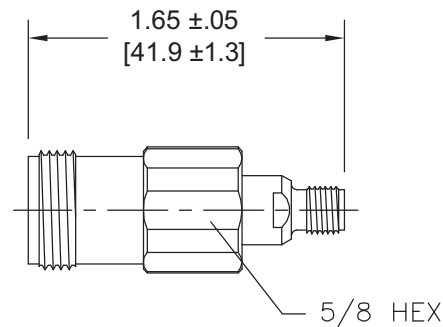
Model Number: **5146**

Type N Female / 3.5mm Male



Model Number: **5147**

Type N Female / 3.5mm Female



Note: Dimensions in Brackets are Expressed in Millimeters and are for Reference Only.
Design specifications are subject to change without notice.
Contact factory for technical specifications before purchasing or use.

5144: REV C

AEROFLEX
INMET

Aeroflex / Inmet, Inc. • 300 Dino Drive, Ann Arbor, MI 48103 • U.S.A.
888-244-6638 or 734-426-5553 • FAX: 734-426-5557
www.aeroflex.com/inmet • inmet@aeroflex.com