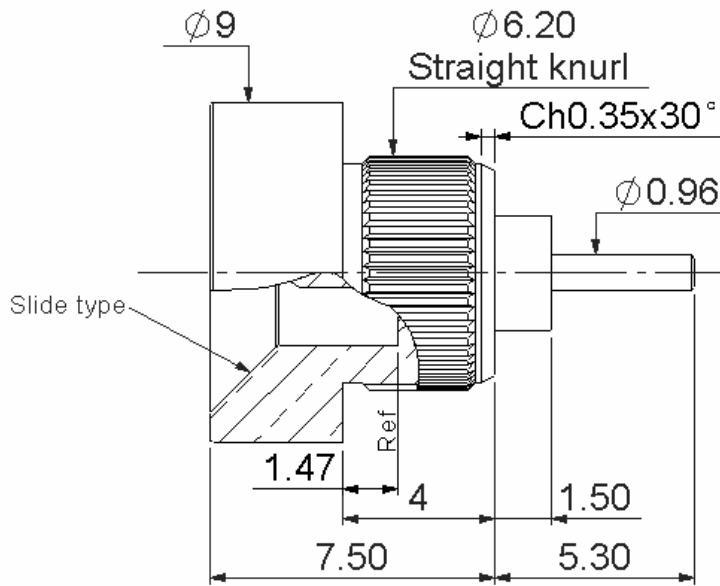


STRAIGHT PRESS MOUNT MALE RECEPTACLE
FRONT MOUNT - WITH CYLINDRICAL CONTACT

R222.M10.730

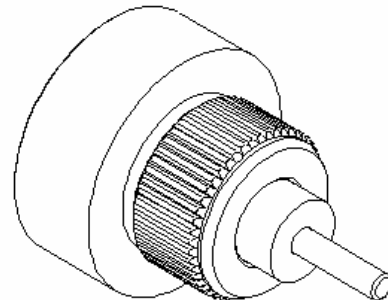
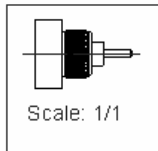
Series : SMP-MAX



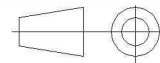
PANEL CUT OUT



mm		
	Maxi	mini
A	6.13	6.07



All dimensions are in mm.



COMPONENTS	MATERIALS	PLATING (µm)
BODY	BRASS	NPGR
CENTER CONTACT	BRASS	NPGR
OUTER CONTACT		
INSULATOR	PTFE	
GASKET		
OTHERS PARTS		
-	-	-
-	-	-

Issue : 1141 B

In the effort to improve our products, we reserve the right to make changes judged to be necessary.



**STRAIGHT PRESS MOUNT MALE RECEPTACLE
FRONT MOUNT - WITH CYLINDRICAL CONTACT**

R222.M10.730

Series : SMP-MAX

PACKAGING

Standard	Unit	Other
100	'W' option	Contact us

SPECIFICATION

ELECTRICAL CHARACTERISTICS

Impedance	50	Ω
Frequency	0-6	GHz
VSWR	1.25* + 0,0000	x F(GHz) Maxi
Insertion loss	0.15	$\sqrt{F(GHz)}$ dB Maxi
RF leakage	- (NA)	- F(GHz)) dB Maxi
Voltage rating	335	Veff Maxi
Dielectric withstanding voltage	500	Veff mini
Insulation resistance	5000	M Ω mini

ENVIRONMENTAL

Operating temperature	-55/+125	$^{\circ}$ C
Hermetic seal	NA	Atm.cm3/s
Panel leakage	NA	

OTHER CHARACTERISTICS

Assembly instruction

Others :

*Up to 4GHz. 1.35 max: 4-6GHz.

*Slide type receptacle+bullet+Snap type

MECHANICAL CHARACTERISTICS

Center contact retention		
Axial force – Mating end	7	N mini
Axial force – Opposite end	7	N mini
Torque	NA	N.cm mini
Recommended torque		
Mating	NA	N.cm
Panel nut	NA	N.cm
Mating life	100	Cycles mini
Weight	2,1320	g

Issue : 1141 B

In the effort to improve our products, we reserve the right to make changes judged to be necessary.

RADIALL 