

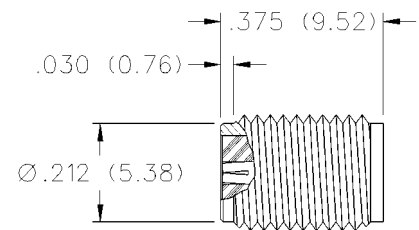
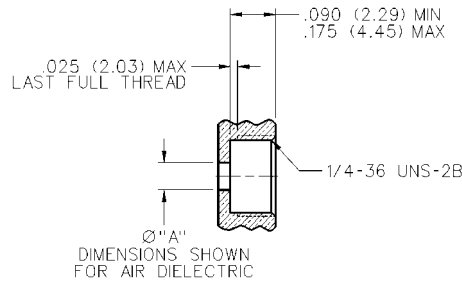
SMA - 50 Ohm Connectors

Spark Plugs



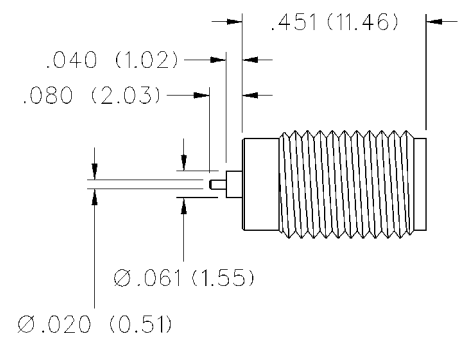
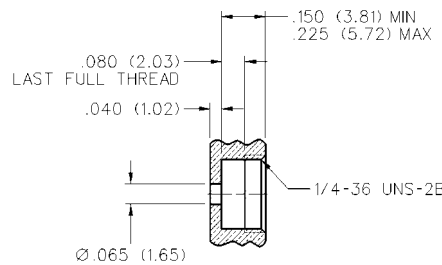
INCHES (MILLIMETERS)
CUSTOMER DRAWINGS AVAILABLE UPON REQUEST

Jack Receptacle - Thread Mount Field Replaceable



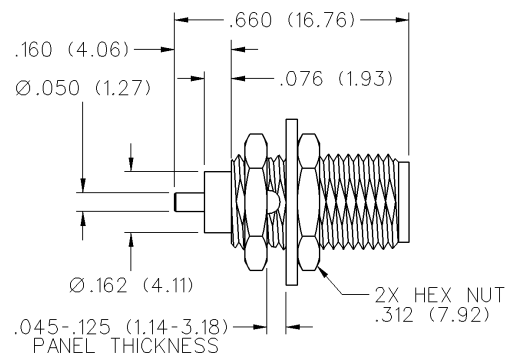
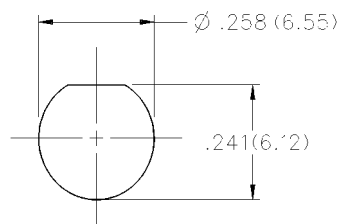
ACCEPTS PIN SIZE	GOLD PLATED	NICKEL PLATED
.020 (0.51)	142-1731-001	142-1731-006
.036 (0.91)	142-1731-011	142-1731-016

Jack Receptacle - Thread Mount Extended Dielectric (Non-hermetic)



GOLD PLATED	NICKEL PLATED
142-1731-021	142-1731-026

Jack Receptacle - Thread Mount with Hardware Extended Dielectric Bulkhead



GOLD PLATED	NICKEL PLATED
142-1731-031	142-1731-036