

**BOURNS®**

**Features**

- Surface mount
- Dual transformer for transmit and receive
- 1500 VAC HIPOT

**Applications**

- Telecom

**SM74139 - T1/CEPT/ISDN-PRI Dual Transformer**

**Electrical Specifications @ 25 °C**

Primary Pins  
 Core A .....1-3  
 Core B .....6-8

Ratio (±2 %)  
 Core A & B .....1CT : 1.15CT

OCL (mH) min.  
 Core A & B .....1.2

Leakage Inductance (µH) max.  
 Core A & B .....0.60

C<sub>vw</sub> (pF) max.  
 Core A & B .....30

DCR of primary (Ω) max.  
 Core A & B .....0.70

DCR of secondary (Ω) max.  
 Core A & B .....0.75

Operating Temperature (°C) .....0 to +70

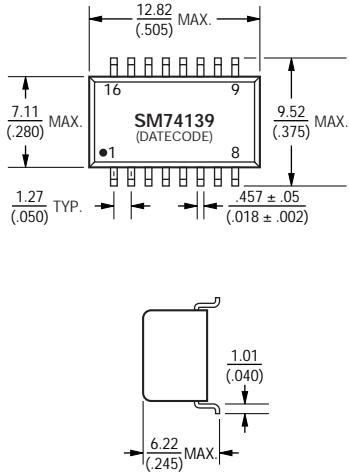
\*CT : center tap

**Packaging Specifications**

Tape & Reel\* .....700 pcs./reel

\*"E" suffix at end of part number designates tape & reel packaging, e.g. SM74139E.

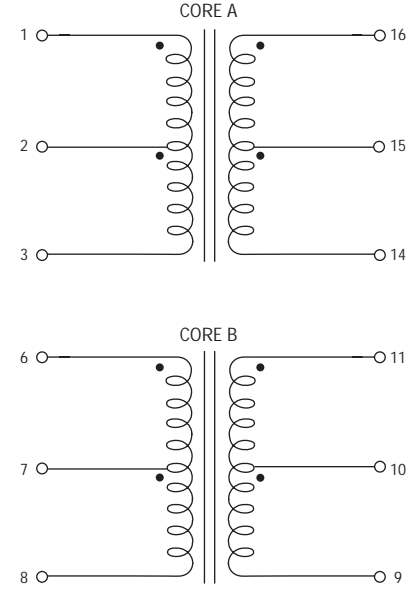
**Product Dimensions**



DIMENSIONS ARE:  $\frac{\text{MM}}{\text{(INCHES)}}$

TOLERANCE:  $\pm \frac{0.254}{(0.010)}$

**Electrical Schematic**



Asia-Pacific: TEL +886-2 25624117  
 FAX +886-2 25624116

Europe: TEL +41-41 7685555  
 FAX +41-41 7685510

N. America: TEL +1-909 781-5500  
 FAX +1-909 781-5700

[www.bourns.com](http://www.bourns.com)