

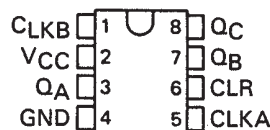
# SN54LS56, SN54LS57, SN74LS56, SN74LS57 FREQUENCY DIVIDERS

SDLS182 – DECEMBER 1983 – REVISED MARCH 1988

- 'LS56 Performs 50 to 1 Frequency Division (5 to 1, 5 to 1, and 10 to 1)
- 'LS57 Performs 60 to 1 Frequency Division (6 to 1, 5 to 1, and 10 to 1)
- Available in P or JG package (two P or JG Packages Fit in a Single 16-pin Socket)
- Maximum Clock Frequency 25 MHz Typical

SN54LS56, SN54LS57 . . . JG PACKAGE  
SN74LS56, SN74LS57 . . . JG OR P PACKAGE

(TOP VIEW)



FOR CHIP CARRIER INFORMATION, CONTACT THE FACTORY

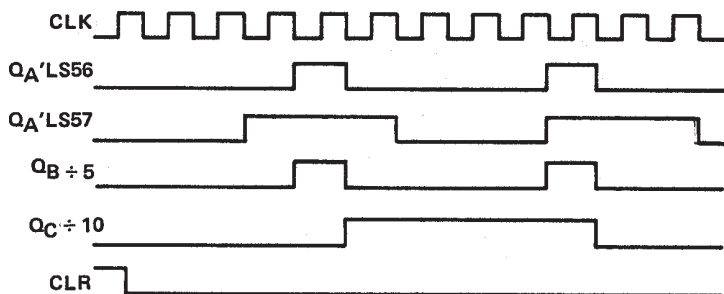
## description

These frequency dividers are particularly useful in generating one second or one hour timing pulses from 50 Hz (European standard frequency) or 60 Hz (United States standard frequency). 50 to 1 frequency division is accomplished in the 'LS56 by connecting output  $Q_A$  to input  $CLKB$ . 60 to 1 frequency division in the 'LS57 is accomplished in the same way. More universal capabilities are evidenced by the 25 MHz typical  $f_{max}$  and the almost limitless frequency division possibilities when used in cascade. Two 'LS56 packages may be interconnected to give frequency division of 2500 to 1, 625 to 1, 100 to 1, etc. Two 'LS57 packages can be connected to generate frequency divisions of 3600 to 1, 1800 to 1, 900 to 1 etc.

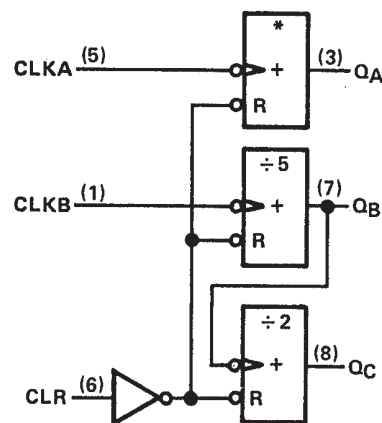
The 'LS56 and 'LS57 frequency dividers consist of three separate counters, A, B, and C on a single monolithic substrate. The A counter divides by 5 to 1 in the 'LS56 and by 6 to 1 in the 'LS57. The B counter divides by 5 to 1 in both devices and is internally tied to the C counter which divides by 2 to 1. The resulting C counter output is 10 to 1. Both the 'LS56 and 'LS57 feature a clear pin which is common to all three counters, A, B, and C. When the clear pin is low, the counters are enabled. When the clear is high, the counters are disabled and their outputs are set to a low-level.

All three counters, A, B, and C trigger on the high-to-low transition of the clock input. All output waveforms are symmetrical except for the 5 to 1 outputs (A and B of the 'LS56 and B of the 'LS57). See the output waveform drawings below.

## input and output waveforms

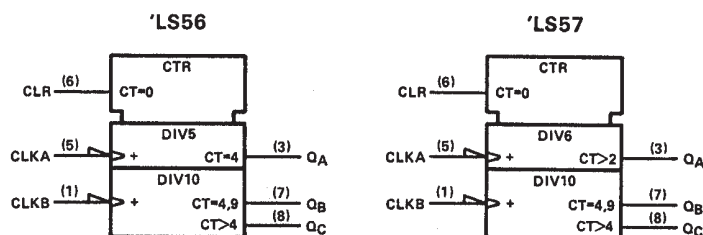


## logic diagram (positive logic)



\* 'LS56 ÷ 5  
'LS57 ÷ 6

## logic symbols†

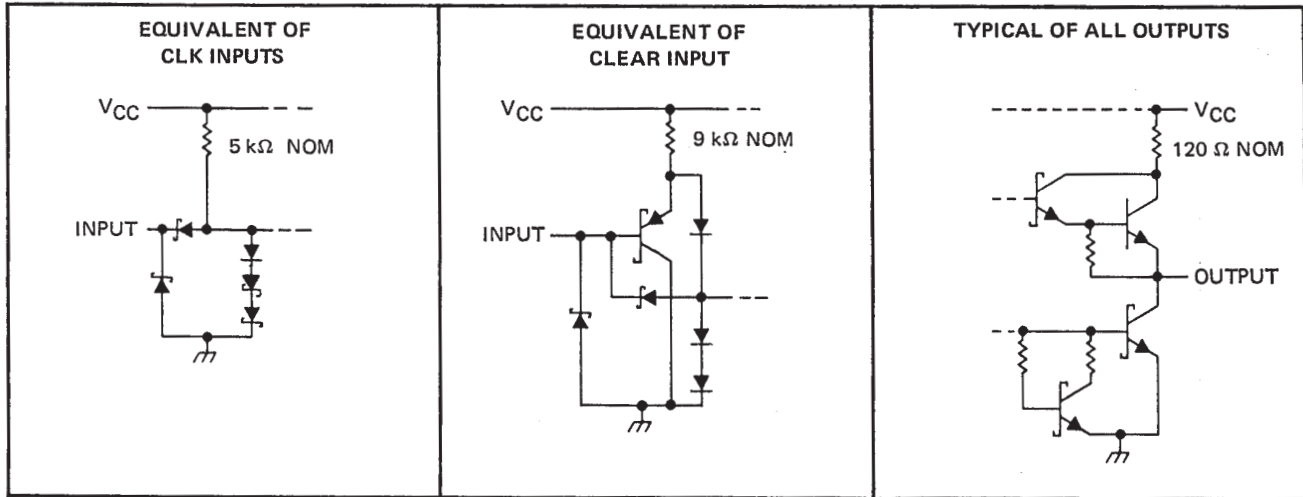


†These symbols are in accordance with ANSI/IEEE Std 91-1984 and IEC Publication 617-12.

# SN54LS56, SN54LS57, SN74LS56, SN74LS57 FREQUENCY DIVIDERS

SDLS182 – DECEMBER 1983 – REVISED MARCH 1988

## schematics of inputs and outputs



## absolute maximum ratings over operating free-air temperature range (unless otherwise noted)

Supply voltage, V <sub>CC</sub> (see Note 1)	7 V
Input voltage: CLR	7 V
CLKA, CLKB	5.5 V
Operating free-air temperature range: SN54LS'	-55°C to 125°C
SN74LS'	-0°C to 70°C
Storage temperature range	-65°C to 150°C

NOTE 1: Voltage values are with respect to network ground terminal.

## recommended operating conditions

	SN54LS'			SN74LS'			UNIT
	MIN	NOM	MAX	MIN	NOM	MAX	
V <sub>CC</sub> Supply voltage	4.5	5	5.5	4.75	5	5.25	V
V <sub>IH</sub> High-level input voltage	2			2			V
V <sub>IL</sub> Low-level input voltage			0.7			0.8	V
I <sub>OH</sub> High-level output current			-1			-1	mA
I <sub>OL</sub> Low-level output current			8			16	mA
f <sub>clock</sub> Clock frequency	0		15	0		15	MHz
t <sub>r</sub> , t <sub>f</sub> Rise and fall time of clock			50			50	ns
t <sub>w</sub> Pulse width of clock or clear	30			30			ns
t <sub>su</sub> Clear inactive state set-up time	25			25			ns
T <sub>A</sub> Operating free-air temperature	-55		125	0		70	°C



POST OFFICE BOX 655303 • DALLAS, TEXAS 75265

# SN54LS56, SN54LS57, SN74LS56, SN74LS57 FREQUENCY DIVIDERS

SDLS182 – DECEMBER 1983 – REVISED MARCH 1988

electrical characteristics over recommended operating free-air temperature range (unless otherwise noted)

PARAMETER		TEST CONDITIONS†		SN54LS'			SN74LS'			UNIT
				MIN	TYP‡	MAX	MIN	TYP‡	MAX	
V <sub>IK</sub>		V <sub>CC</sub> = MIN, I <sub>I</sub> = -18 mA		-1.5			-1.5			V
V <sub>OH</sub>		V <sub>CC</sub> = MIN, V <sub>IL</sub> = MAX	V <sub>IH</sub> = 2 V, I <sub>OH</sub> = -1 mA	2.5	3.4		2.7	3.4		V
V <sub>OL</sub>		V <sub>CC</sub> = MIN, V <sub>IL</sub> = MAX	V <sub>IH</sub> = 2 V, I <sub>OL</sub> = 8 mA	0.25	0.4		0.25	0.4		V
			I <sub>OL</sub> = 16 mA				0.35	0.5		
I <sub>I</sub>	CLKA, CLKB	V <sub>CC</sub> = MAX	V <sub>I</sub> = 5.5 V	0.2			0.2			mA
	CLR		V <sub>I</sub> = 7 V	0.1			0.1			
I <sub>IH</sub>	CLKA, CLKB	V <sub>CC</sub> = MAX, V <sub>I</sub> = 2.7 V		80			80			μA
	CLR			20			20			
I <sub>IL</sub>	CLKA, CLKB	V <sub>CC</sub> = MAX, CLR = 0 V, V <sub>I</sub> = 0.4 V		-3.2			-3.2			mA
	CLR			-0.2			-0.2			
I <sub>OS</sub> §		V <sub>CC</sub> = MAX, CLR = 0 V, V <sub>O</sub> = 0 V		-20	-100		-20	-100		mA
I <sub>CC</sub>		V <sub>CC</sub> = MAX, See Note 2			17	30		17	30	mA

† For conditions shown as MIN or MAX, use the appropriate value specified under recommended operating conditions.

‡ All typical values are at V<sub>CC</sub> = 5 V, T<sub>A</sub> = 25°C.

§ Not more than one output should be shorted at a time and the duration of the short-circuit should not exceed one second.

NOTE 2: I<sub>CC</sub> is measured by applying 4.5 V to the CLR pin with all other inputs grounded and the outputs open.

switching characteristics, V<sub>CC</sub> = 5 V, T<sub>A</sub> = 25°C (see note 3)

PARAMETER	FROM (INPUT)	TO (OUTPUT)	TEST CONDITIONS	'LS56			'LS57			UNIT
				MIN	TYP	MAX	MIN	TYP	MAX	
f <sub>max</sub>	CLKA	Q <sub>A</sub>	R <sub>L</sub> = 1 kΩ, C <sub>L</sub> = 30 pF	15	25		15	25		MHz
f <sub>max</sub>	CLKB	Q <sub>B</sub> , Q <sub>C</sub>		15	25		15	25		MHz
t <sub>PLH</sub>	CLKB	Q <sub>B</sub>		8	15		8	15		ns
t <sub>PHL</sub>				14	25		14	25		ns
t <sub>PLH</sub> ¶	CLKB	Q <sub>C</sub>		18	30		18	30		ns
t <sub>PHL</sub> ¶				24	35		24	35		ns
t <sub>PLH</sub>	CLKA	Q <sub>A</sub>		12	20		14	25		ns
t <sub>PHL</sub>				14	25		18	30		ns
t <sub>PHL</sub>	CLR	Q <sub>A</sub>		17	30		17	30		ns
t <sub>PHL</sub>	CLR	Q <sub>B</sub>		17	30		17	30		ns
t <sub>PHL</sub>	CLR	Q <sub>C</sub>		17	30		17	30		ns

¶ Times measured from CLKB to output Q<sub>C</sub> are taken with output Q<sub>B</sub> unloaded.

NOTE 3: Load circuits and voltage waveforms are shown in Section 1.

**PACKAGING INFORMATION**

Orderable Device	Status <sup>(1)</sup>	Package Type	Package Drawing	Pins	Package Qty	Eco Plan <sup>(2)</sup>	Lead/Ball Finish	MSL Peak Temp <sup>(3)</sup>
SN74LS56P	OBSOLETE	PDIP	P	8		TBD	Call TI	Call TI
SN74LS57P	OBSOLETE	PDIP	P	8		TBD	Call TI	Call TI
SN74LS57P	OBSOLETE	PDIP	P	8		TBD	Call TI	Call TI

<sup>(1)</sup> The marketing status values are defined as follows:

**ACTIVE:** Product device recommended for new designs.

**LIFEBUY:** TI has announced that the device will be discontinued, and a lifetime-buy period is in effect.

**NRND:** Not recommended for new designs. Device is in production to support existing customers, but TI does not recommend using this part in a new design.

**PREVIEW:** Device has been announced but is not in production. Samples may or may not be available.

**OBSOLETE:** TI has discontinued the production of the device.

<sup>(2)</sup> Eco Plan - The planned eco-friendly classification: Pb-Free (RoHS) or Green (RoHS & no Sb/Br) - please check <http://www.ti.com/productcontent> for the latest availability information and additional product content details.

**TBD:** The Pb-Free/Green conversion plan has not been defined.

**Pb-Free (RoHS):** TI's terms "Lead-Free" or "Pb-Free" mean semiconductor products that are compatible with the current RoHS requirements for all 6 substances, including the requirement that lead not exceed 0.1% by weight in homogeneous materials. Where designed to be soldered at high temperatures, TI Pb-Free products are suitable for use in specified lead-free processes.

**Green (RoHS & no Sb/Br):** TI defines "Green" to mean Pb-Free (RoHS compatible), and free of Bromine (Br) and Antimony (Sb) based flame retardants (Br or Sb do not exceed 0.1% by weight in homogeneous material)

<sup>(3)</sup> MSL, Peak Temp. -- The Moisture Sensitivity Level rating according to the JEDEC industry standard classifications, and peak solder temperature.

**Important Information and Disclaimer:**The information provided on this page represents TI's knowledge and belief as of the date that it is provided. TI bases its knowledge and belief on information provided by third parties, and makes no representation or warranty as to the accuracy of such information. Efforts are underway to better integrate information from third parties. TI has taken and continues to take reasonable steps to provide representative and accurate information but may not have conducted destructive testing or chemical analysis on incoming materials and chemicals. TI and TI suppliers consider certain information to be proprietary, and thus CAS numbers and other limited information may not be available for release.

In no event shall TI's liability arising out of such information exceed the total purchase price of the TI part(s) at issue in this document sold by TI to Customer on an annual basis.

## IMPORTANT NOTICE

Texas Instruments Incorporated and its subsidiaries (TI) reserve the right to make corrections, modifications, enhancements, improvements, and other changes to its products and services at any time and to discontinue any product or service without notice. Customers should obtain the latest relevant information before placing orders and should verify that such information is current and complete. All products are sold subject to TI's terms and conditions of sale supplied at the time of order acknowledgment.

TI warrants performance of its hardware products to the specifications applicable at the time of sale in accordance with TI's standard warranty. Testing and other quality control techniques are used to the extent TI deems necessary to support this warranty. Except where mandated by government requirements, testing of all parameters of each product is not necessarily performed.

TI assumes no liability for applications assistance or customer product design. Customers are responsible for their products and applications using TI components. To minimize the risks associated with customer products and applications, customers should provide adequate design and operating safeguards.

TI does not warrant or represent that any license, either express or implied, is granted under any TI patent right, copyright, mask work right, or other TI intellectual property right relating to any combination, machine, or process in which TI products or services are used. Information published by TI regarding third-party products or services does not constitute a license from TI to use such products or services or a warranty or endorsement thereof. Use of such information may require a license from a third party under the patents or other intellectual property of the third party, or a license from TI under the patents or other intellectual property of TI.

Reproduction of information in TI data books or data sheets is permissible only if reproduction is without alteration and is accompanied by all associated warranties, conditions, limitations, and notices. Reproduction of this information with alteration is an unfair and deceptive business practice. TI is not responsible or liable for such altered documentation.

Resale of TI products or services with statements different from or beyond the parameters stated by TI for that product or service voids all express and any implied warranties for the associated TI product or service and is an unfair and deceptive business practice. TI is not responsible or liable for any such statements.

Following are URLs where you can obtain information on other Texas Instruments products and application solutions:

### Products

Amplifiers	<a href="http://amplifier.ti.com">amplifier.ti.com</a>
Data Converters	<a href="http://dataconverter.ti.com">dataconverter.ti.com</a>
DSP	<a href="http://dsp.ti.com">dsp.ti.com</a>
Interface	<a href="http://interface.ti.com">interface.ti.com</a>
Logic	<a href="http://logic.ti.com">logic.ti.com</a>
Power Mgmt	<a href="http://power.ti.com">power.ti.com</a>
Microcontrollers	<a href="http://microcontroller.ti.com">microcontroller.ti.com</a>
Low Power Wireless	<a href="http://www.ti.com/lpw">www.ti.com/lpw</a>

### Applications

Audio	<a href="http://www.ti.com/audio">www.ti.com/audio</a>
Automotive	<a href="http://www.ti.com/automotive">www.ti.com/automotive</a>
Broadband	<a href="http://www.ti.com/broadband">www.ti.com/broadband</a>
Digital Control	<a href="http://www.ti.com/digitalcontrol">www.ti.com/digitalcontrol</a>
Military	<a href="http://www.ti.com/military">www.ti.com/military</a>
Optical Networking	<a href="http://www.ti.com/opticalnetwork">www.ti.com/opticalnetwork</a>
Security	<a href="http://www.ti.com/security">www.ti.com/security</a>
Telephony	<a href="http://www.ti.com/telephony">www.ti.com/telephony</a>
Video & Imaging	<a href="http://www.ti.com/video">www.ti.com/video</a>
Wireless	<a href="http://www.ti.com/wireless">www.ti.com/wireless</a>

Mailing Address: Texas Instruments  
Post Office Box 655303 Dallas, Texas 75265