

# PA015018-33 Narrow Band Power Amplifier 1.5 to 1.9GHz

## PRELIMINARY DATA SHEET

www.aeroflex.com/bband



### DESCRIPTION

Our new innovative Power Amplifier designs provide better performance and reliability at half the cost of traditional designs. Our team of engineers can custom design Power Amplifiers using latest CAD Simulation software to meet even the most demanding specifications.

### FEATURES

- 2 Watt CW Output Power
- Low Noise - Less than 4 dB
- 50% Cost Savings over Traditional Designs
- High Reliability and Better Thermal Performance
- Packaging – Hermetic / Non-Hermetic

### SPECIFICATIONS

#### Absolute Maximum Ratings<sup>1</sup>

PARAMETER	SYMBOL	MIN	MAX	UNITS
Operating Temperature – Case	$T_{MO}$	-40	+85	°C
Storage Temperature – Case	$T_{MS}$	-40	+125	°C
Negative Supply Voltage	$V_{-SS}$	-7	-	V
Positive Supply Voltage	$V_{+SS}$	-	+15	V

1. Stresses above those listed under "Absolute Maximums Rating" may cause permanent damage to the device. This is a stress rating only and functional operation of the device at these or any other conditions above those indicated in the operational sections of this specification is not implied. Exposure to absolute maximum rating conditions for extended periods may affect device reliability.

#### Nominal Operating Conditions

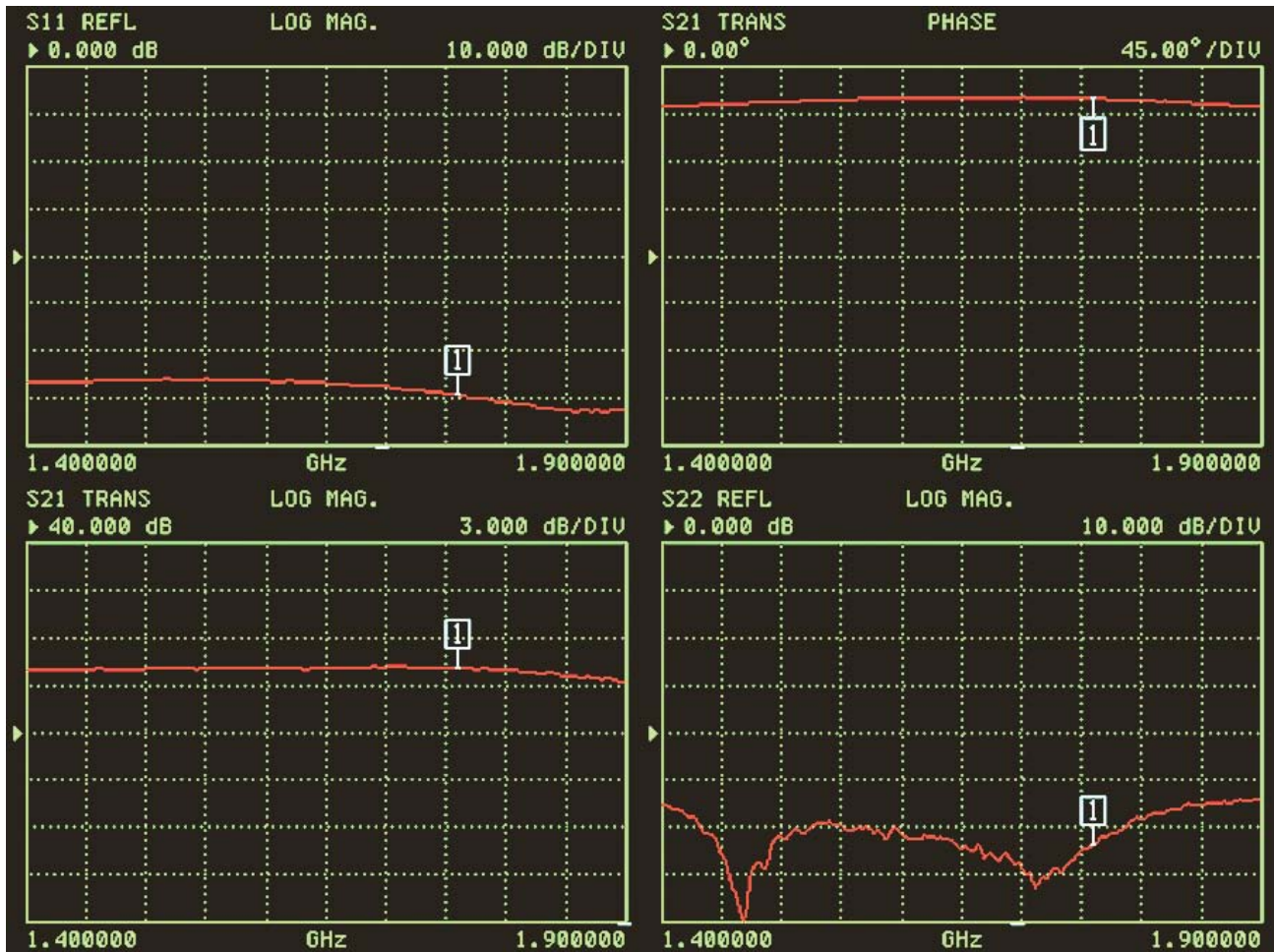
PARAMETER	CONDITIONS	MIN	MAX	UNITS
Temperature, $T_O$	Full Range	-40	+75	°C
Positive Supply Voltage, $V_{PS}$		+12	+15	V
Negative Supply Voltage, $V_{NS}$		-6.25	-5.75	V

# SPECIFICATIONS

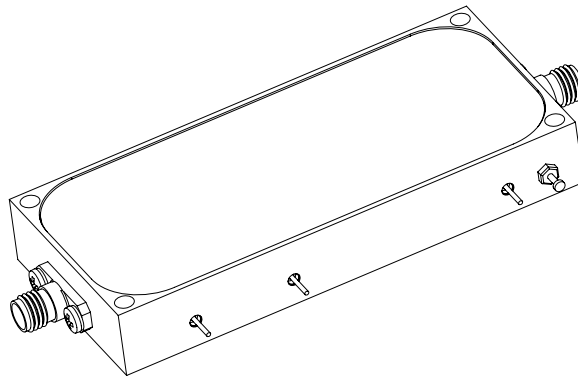
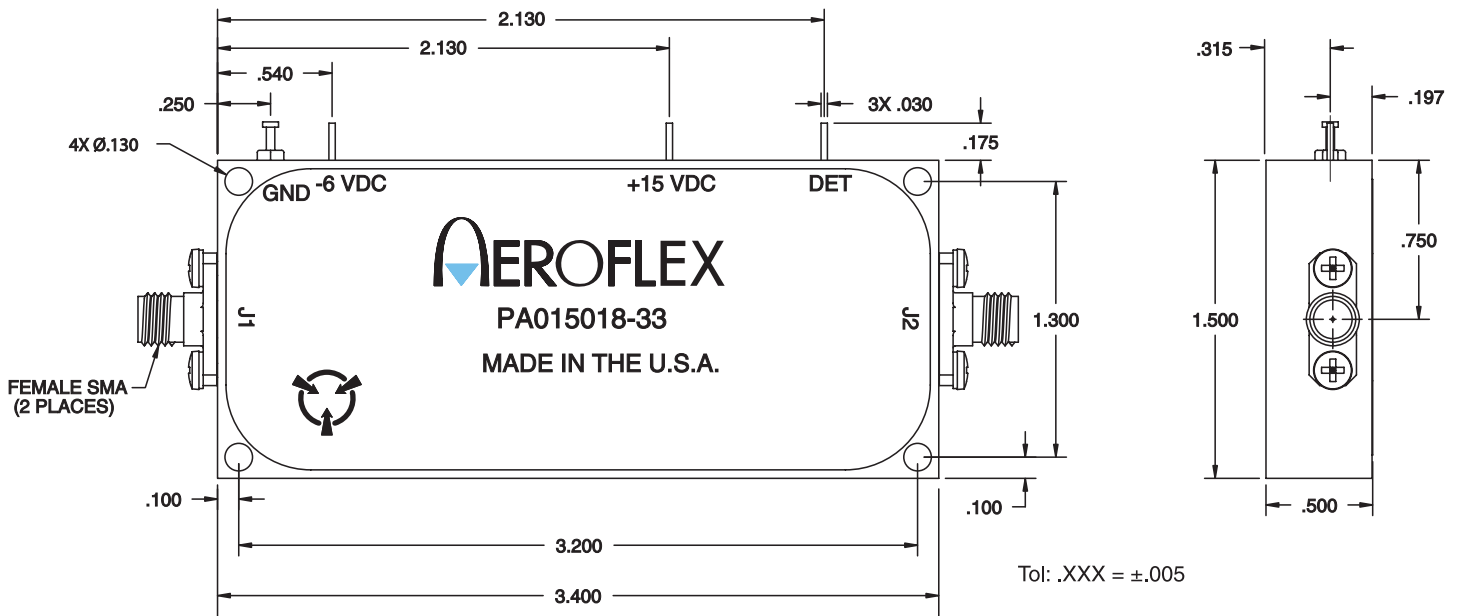
## Electrical Characteristics

PARAMETER	CONDITIONS	MIN	TYP	MAX	UNIT
Frequency Range		1.5	-	1.9	GHz
Power Output	3dB Compression Point	+33	+34	+35	dBm
Power Output Variation	Over Frequency, Temperature and RF Input Power	-1	-	+1	dBm
Gain		45	-	-	dB
Gain Flatness		-1	-	+1	dB
Noise Figure		-	-	4	dB
RF Input Return Loss	Reference to 50 ohms	-	1.5:1	2.0:1	
RF Output Return Loss	Reference to 50 ohms	-	1.5:1	2.0:1	
Fault Monitor Output (DET pin)					
TTL "0"	J2 < +28dBm	-	-	-	-
TTL "1"	J2 ≥ +28dBm	-	-	-	-
Supply Voltage					
Positive		+12	-	+15	V
Negative		-	-6	-	V
Supply Current					
+12v, +15V		-	950	-	mA
-6V		-	30	-	mA

## S-PARAMETERS



## OUTLINE DRAWING



## ORDERING INFORMATION

MODEL NUMBER	HERMETICITY	PACKAGE
PA015018-33H	Hermetic	3.4L x 1.5W x .50Ht
PA015018-33	Non Hermetic	

**PLAINVIEW, NEW YORK**  
Toll Free: 800-THE-1553  
Fax: 516-694-6715

**INTERNATIONAL**  
Tel: 805-778-9229  
Fax: 805-778-1980

**NORTHEAST**  
Tel: 603-888-3975  
Fax: 603-888-4585

**SE AND MID-ATLANTIC**  
Tel: 321-951-4164  
Fax: 321-951-4254

**WEST COAST**  
Tel: 949-362-2260  
Fax: 949-362-2266

**CENTRAL**  
Tel: 719-594-8017  
Fax: 719-594-8468

[www.aeroflex.com](http://www.aeroflex.com)    [info-ams@aeroflex.com](mailto:info-ams@aeroflex.com)

Aeroflex Microelectronic Solutions reserves the right to change at any time without notice the specifications, design, function, or form of its products described herein. All parameters must be validated for each customer's application by engineering. No liability is assumed as a result of use of this product. No patent licenses are implied.



Our passion for performance is defined by three attributes represented by these three icons: solution-minded, performance-driven and customer-focused