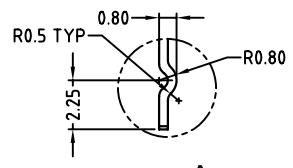
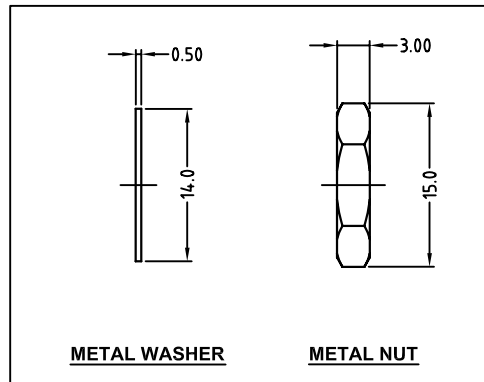
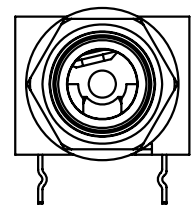
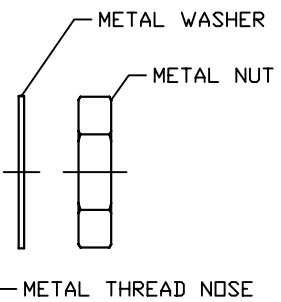
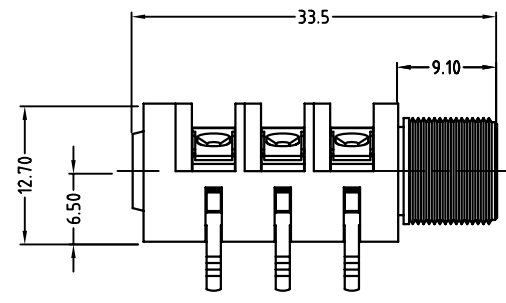
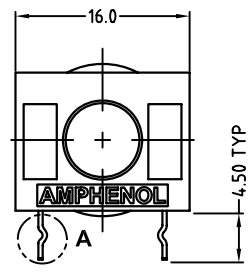


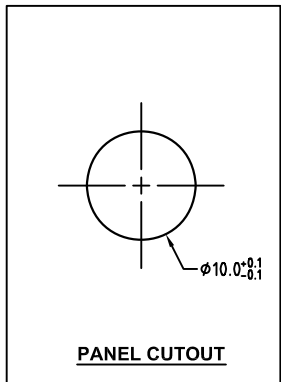
ISO VIEW
SCALE 1:1



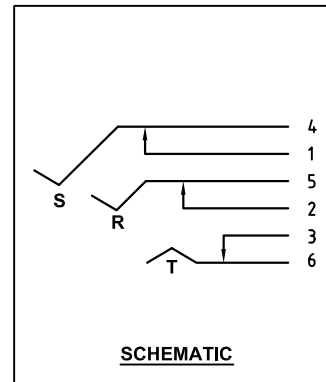
DETAIL A
SCALE 4:1



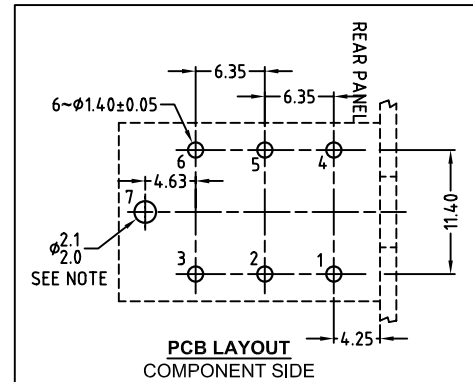
METAL WASHER **METAL NUT**



PANEL CUTOUT



SCHEMATIC



PCB LAYOUT
COMPONENT SIDE

NOTE: OPTIONAL MOUNTING HOLE FOR SELF-TAPPING M2 SCREW

CATALOGUE P/N	NUT OPTION
ACJS-LHDRM	NO NUT & WASHER
ACJS-MHDRM	METAL NUT & WASHER INCLUDED

UNLESS OTHERWISE SPECIFIED TOLERANCE TO BE		THIS DOCUMENT IS THE PROPERTY OF AMPHENOL AUSTRALIA PTY. LTD. NO PART THEREOF MAY BE REPRODUCED AND USED WITHOUT THE PRIOR WRITTEN CONSENT OF THE OWNER			
LINEAR	ANGULAR	CAD FILE: 55010661000111	DRN: MH	DATE: 11-03-10	TITLE: 1/4" PHONE STEREO JACK CUSTOMER DRAWING
X ± 0.5	X° ± 1°	MATL: REFER TO COMPONENTS	CKD: MH	DATE: 20-04-16	Amphenol Amphenol Australia Pty Ltd, 22 Industry Blvd, Corrum Downs, Vic 3201 DRAWING NO. 55010661-000-2 SHEET 2 OF 2
XX ± 0.2	X°X' ± 30'	DO NOT SCALE	FINISH: REFER TO COMPONENTS	APP'D: PM	
XXX ± 0.1	X°X'X" ± 15"	DIMENSIONS IN MILLIMETRES		SCALE: 2:1 UOS	PART No: REFER TO TABLE

1	REDUCE METAL WASHER OD FROM 15mm TO 14mm	MH	20-04-16	9342
0	FIRST ISSUE	M.N.H	11-03-10	----
REV.	CHANGE DETAILS	BY	DATE	CHG/No