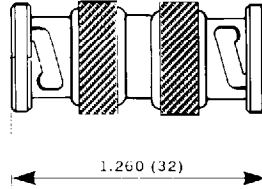


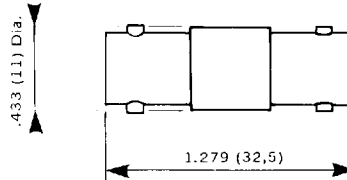
MALE – MALE
(plug - plug)

PART NUMBER	R 141 703
Equivalent MIL	UG. 491 B/U



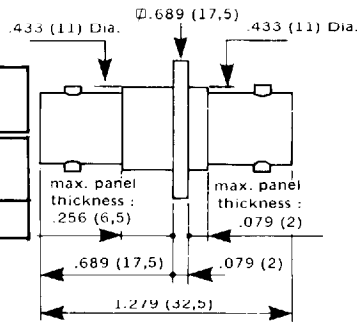
FEMALE – FEMALE
(jack - jack)

PART NUMBER	R 141 704
Equivalent MIL	UG. 914/U

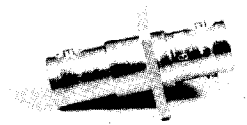


STRAIGHT FEMALE – FEMALE SQUARE FLANGE
(jack - jack)

PART NUMBER	R 141 710
Flange holes	4 holes N° 3.56 UNF.2B (M 2,5 x 0,45)
Equivalent MIL	UG. 414 A/U

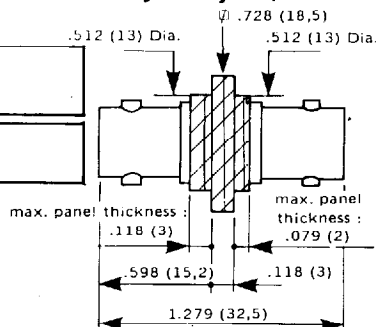


Panel Pattern P.2 (Page 31)



STRAIGHT FEMALE – FEMALE INSULATED SQUARE FLANGE
(jack - jack)

PART NUMBER	R 141 717
Flange holes	4 holes .102 dia. (Ø2,6)



Panel Pattern P.4 (Page 31)

