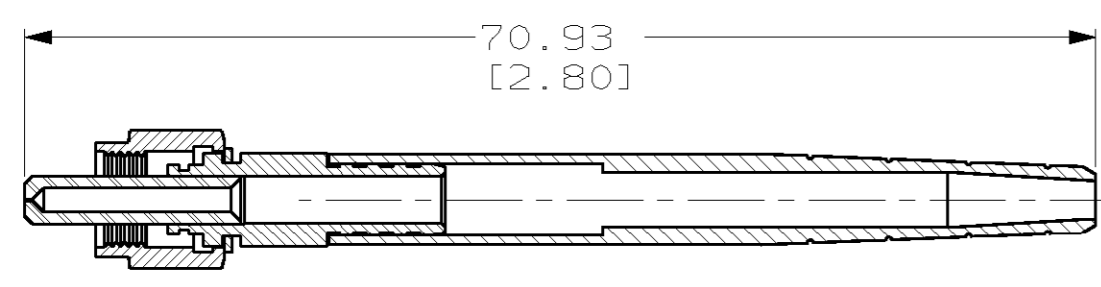
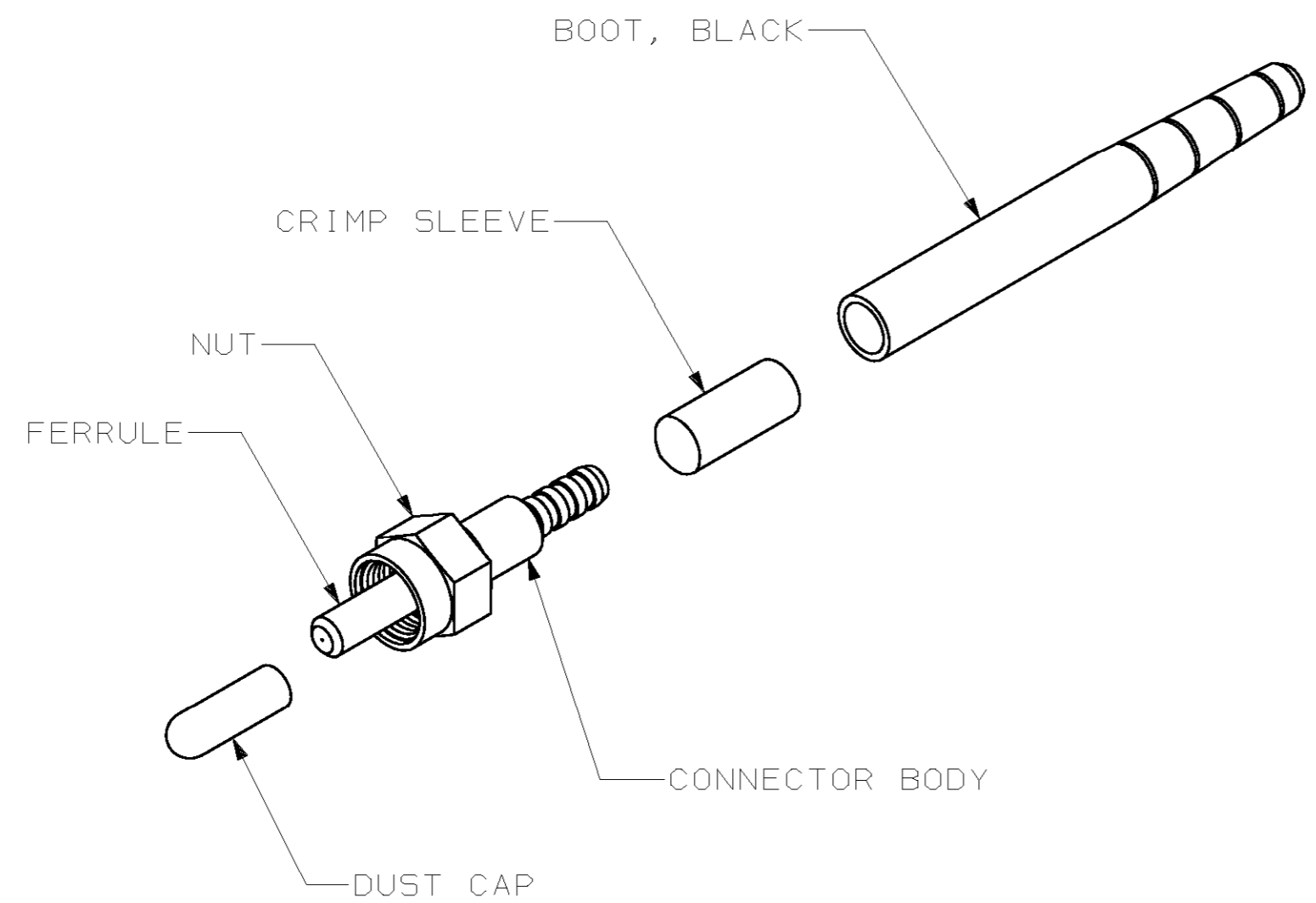


THIS DRAWING IS UNPUBLISHED. RELEASED FOR PUBLICATION .19
 © COPYRIGHT 19 BY AMP INCORPORATED. ALL RIGHTS RESERVED.

LOC		DIST		REVISIONS			
P	LTR	DESCRIPTION	DATE	DWN	APVD		
CE	16						
	E	REVISED PER EC 0A00-0014-00	18JAN00	TG	LS		
	F	REVISED PER 0A00-0147-00	23FEB00	TA	LS		



- 1 MATERIAL:
- a) FERRULE-STAINLESS STEEL
 - b) CONNECTOR BODY-COPPER ALLOY
 - c) NUT-COPPER ALLOY
 - d) CRIMP SLEEVE-COPPER ALLOY
 - e) BOOT-GEON VINYL, COLOR:BLACK
 - f) DUST CAP-VINYL, COLOR:RED

- 2 FINISH:
- a) CONNECTOR BODY-NICKEL PLATE
 - b) NUT-NICKEL PLATE
 - c) CRIMP SLEEVE-NICKEL PLATE

3 BULK PACKAGED 50 PER UNIT

4 PACKAGE MARKED WITH "EB R1860"

DESCRIPTION	FIBER HOLE SIZE	PART NUMBER
STANDARD CONNECTOR KIT	720µm	3-504567-9
STANDARD CONNECTOR KIT	490µm	3-504567-8
STANDARD CONNECTOR KIT	250µm	3-504567-7
NO CRIMP SLEEVE	600µm	3-504567-6
OBSOLETE NO CRIMP SLEEVE	600µm	3-504567-5
OBSOLETE NO CRIMP SLEEVE-NO BOOT	231µm	3-504567-4
STANDARD CONNECTOR KIT	.082in	3-504567-3
STANDARD CONNECTOR KIT	.065in	3-504567-2
OBSOLETE STANDARD CONNECTOR KIT	.047in	3-504567-1
OBSOLETE STANDARD CONNECTOR KIT	.046in	3-504567-0
STANDARD CONNECTOR KIT	.042in	2-504567-9
OBSOLETE STANDARD CONNECTOR KIT	.039in	2-504567-8
OBSOLETE STANDARD CONNECTOR KIT	860µm	2-504567-7
OBSOLETE STANDARD CONNECTOR KIT	641µm	2-504567-6
OBSOLETE STANDARD CONNECTOR KIT	640µm	2-504567-5
OBSOLETE STANDARD CONNECTOR KIT	600µm	2-504567-4
OBSOLETE STANDARD CONNECTOR KIT	500µm	2-504567-3
OBSOLETE STANDARD CONNECTOR KIT	470µm	2-504567-2
OBSOLETE STANDARD CONNECTOR KIT	460µm	2-504567-1
OBSOLETE STANDARD CONNECTOR KIT	450µm	2-504567-0
OBSOLETE STANDARD CONNECTOR KIT	436µm	1-504567-9
OBSOLETE STANDARD CONNECTOR KIT	410µm	1-504567-8
OBSOLETE STANDARD CONNECTOR KIT	400µm	1-504567-7
OBSOLETE STANDARD CONNECTOR KIT	350µm	1-504567-6
OBSOLETE STANDARD CONNECTOR KIT	340µm	1-504567-5
OBSOLETE STANDARD CONNECTOR KIT	336µm	1-504567-4
OBSOLETE STANDARD CONNECTOR KIT	320µm	1-504567-3
OBSOLETE STANDARD CONNECTOR KIT	280µm	1-504567-2
OBSOLETE STANDARD CONNECTOR KIT	270µm	1-504567-1
OBSOLETE STANDARD CONNECTOR KIT	267µm	1-504567-0
OBSOLETE STANDARD CONNECTOR KIT	250µm	504567-9
OBSOLETE STANDARD CONNECTOR KIT	240µm	504567-8
OBSOLETE STANDARD CONNECTOR KIT	231µm	504567-7
OBSOLETE STANDARD CONNECTOR KIT	229µm	504567-6
OBSOLETE STANDARD CONNECTOR KIT	200µm	504567-5
OBSOLETE STANDARD CONNECTOR KIT	170µm	504567-4
OBSOLETE STANDARD CONNECTOR KIT	145µm	504567-3
STANDARD CONNECTOR KIT	140µm	504567-2
STANDARD CONNECTOR KIT	125µm	504567-1

THIS DRAWING IS A CONTROLLED DOCUMENT.		DWN P. YEAGER 1-18-93	AMP AMP Incorporated Harrisburg, PA 17105-3608
		CHK R. HILEMAN 1-27-93	
DIMENSIONS: mm [INCHES]		APVD S. BUCHTER 1-27-93	CONNECTOR KIT, SMA 905 STAINLESS FRONT BODY, BRASS REAR BODY, 4.3mm CABLE
TOLERANCES UNLESS OTHERWISE SPECIFIED:		PRODUCT SPEC	
0 PLC ±-		APPLICATION SPEC	SIZE A2
1 PLC ±-		WEIGHT -	CAGE CODE 00779
2 PLC ±-		CUSTOMER DRAWING	DRAWING NO C-504567
3 PLC ±-		SCALE 2:1	SHEET 1 OF 1
4 PLC ±-		REV F	
ANGLES ±-			
FINISH 2			