

DASH NO	CABLES ACCOMMODATED	A DIM	B DIM	C FLATS	D FLATS	E DIA	ASSEMBLE PER																																																
-7	TRC-50-2 TRC-75-2	1.135	.096	.438	.438	.500	TAI-189																																																
-8	8227, BELDEN	1.716	.130	.625	.688	.750	TAI-103																																																
-9	TWC-78-2 TWC-124-2	1.135	.096	.438	.438	.500	TAI-102																																																
-A9	BL182, TIMES BL382, TIMES BL1242, TIMES		△	△																																																			
-10	RG-22 754E, AT&T	1.716	.130	.625	.688	.750	TAI-103																																																
-11	760A, AT&T						TAI-128																																																
-12	16PEVL, AT&T VI-AL, GENERAL						TAI-129																																																
-13	TRF-59, TIMES						TAI-165																																																
-13A	8232, BELDEN						TAI-129																																																
-14	8233, BELDEN						TAI-189																																																
-23	250-3884, MICRODOT						TAI-102																																																
-24	202-3934, MICRODOT						TAI-189																																																
-24A	9530A5117, RAYCHEM						TAI-102																																																
-25	T-43M, GENERAL						TAI-189																																																
-25A	5021H5331, RAYCHEM	TAI-189																																																					
-26	7028A5518, RAYCHEM	TAI-102																																																					
-27	T187PSJ2619R, NOKEN 202-3821, MICRODOT 202-3942, MICRODOT	1.135	.096	.438	.438	.500	TAI-102																																																
-29	TWC-78-1/TWC-124-1A						TAI-102																																																
-30	761A, AT&T 8441, BELDEN						TAI-189																																																
-32	TRC-50-1						1.716	.130	.625	.688	.750	TAI-103																																											
-33	TRC-75-1												1.135	.096	.438	.438	.500	TAI-102																																					
-42	21-204, ESSEX 4463, CONSOLIDATED																		1.716	.130	.625	.688	.750	TAI-103																															
-43	250-4044/250-4045 293-3930, MICRODOT																								1.135	.096	.438	.438	.500	TAI-102																									
-45	M27500-22TE214 1100-56F, STANDARD																														1.716	.130	.625	.688	.750	TAI-103																			
-46	9860, BELDEN																																				1.135	.096	.438	.438	.500	TAI-102													
-47	M17176-00002																																										1.716	.130	.625	.688	.750	TAI-103							
-49	TWAC-78-1F2	1.135	.096	.438	.438	.500																																											TAI-102						
-54	89207, BELDEN																																																	1.716	.130	.625	.688	.750	TAI-103
-55	89272, BELDEN																																																						
-56	GC8756C1, GRUMMAN						1.716	.130	.625	.688	.750	TAI-103																																											
-57	GC8756B1, GRUMMAN												1.135	.096	.438	.438	.500	TAI-102																																					
-58	GC875TM24H, GRUMMAN																		1.716	.130	.625	.688	.750	TAI-103																															
-59	GC875LNI, GRUMMAN																								1.135	.096	.438	.438	.500	TAI-102																									
-60	M17177, THERMATICS 380-10045, BOEING																														1.716	.130	.625	.688	.750	TAI-103																			
-64	7528A5314, RAYCHEM																																				1.135	.096	.438	.438	.500	TAI-102													

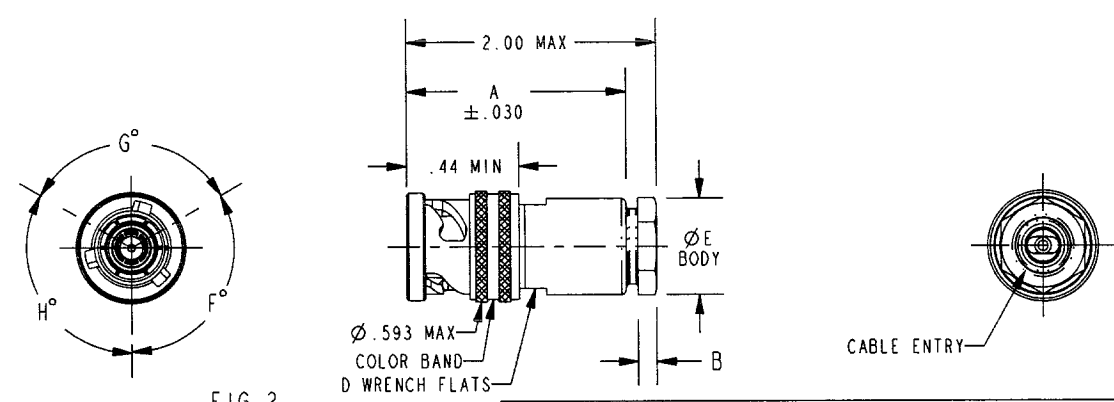
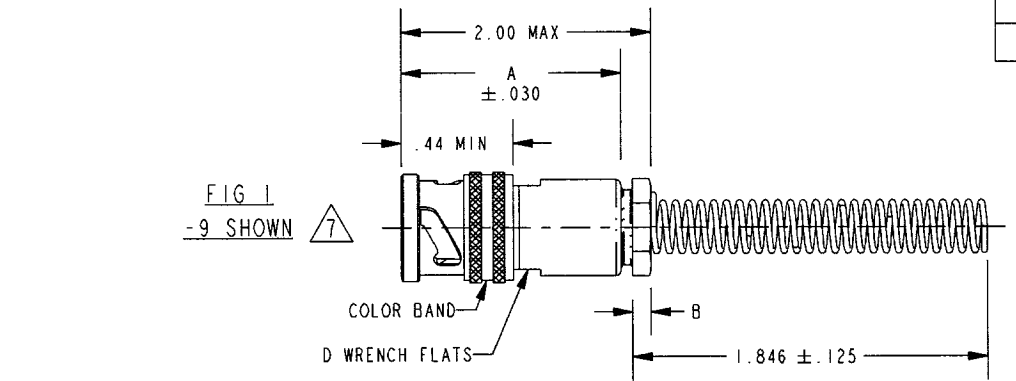
MILITARY PART NO (PIN)	MILITARY CABLE PART NO	TROMPETER PART NO (REF ONLY)
M49142/03-0001	M17134-00001	M310-0002-7
M49142/03-0101	M17134-00001	M310-0002Y-7
M49142/03-0201	M17134-00001	M310-0002S-7
M49142/03-0002	M17134-00002	M310-0002-7
M49142/03-0102	M17134-00002	M310-0002Y-7
M49142/03-0202	M17134-00002	M310-0002S-7
M49142/03-0007	M17145-RG308	M310-0002-9
M49142/03-0107	M17145-RG308	M310-0002Y-9
M49142/03-0207	M17145-RG308	M310-0002S-9
M49142/03-0008	M17176-00002	M310-0002-47
M49142/03-0108	M17176-00002	M310-0002Y-47
M49142/03-0208	M17176-00002	M310-0002S-47
M49142/03-0009	M17177-00002	M310-0002-60
M49142/03-0109	M17177-00002	M310-0002Y-60
M49142/03-0209	M17177-00002	M310-0002S-60

DATA CONTAINED IN THIS DOCUMENT IS PROPRIETARY OF TROMPETER ELECTRONICS INC. AND SHALL NOT BE DISCLOSED, COPIED OR USED FOR PROCUREMENT OR MANUFACTURE WITHOUT EXPRESS WRITTEN PERMISSION.

REV	DESCRIPTION	DATE	APPROVED
BP	REVISED PER ECO 14779	11-5-02	AM

KEYING LETTER	F DEGREES	G DEGREES	H DEGREES	COLOR BAND
NONE	120°	120°	120°	NONE
T	100°	150°	110°	RED
U	120°	130°	110°	ORANGE
V	115°	130°	115°	YELLOW
W	125°	110°	125°	GREEN
X	130°	100°	130°	BLUE
Y	110°	140°	110°	VIOLET
Z	100°	160°	100°	GRAY
S	135°	135°	90°	WHITE

DASH NO	ENTRY DIA	DASH NO	ENTRY DIA
-7	.274	-30	.235
-8	.345	-32	.191
-9	.285	-33	.217
-10	.455	-42	.300
-11	.345	-43	.200
-12	.485	-45	.183
-13	.362	-46	.475
-13A	.352	-47	.164
-14	.510	-49	.132
-23	.183	-54	.323
-24	.191	-55	.250
-24A	.200	-56	.191
-25	.285	-57	
-25A	.183	-58	.198
-26	.183	-59	
-27	.145	-60	.217
-29	.191	-64	.183



RED INDICATES ORIGINAL

6. EXAMPLE OF COMPLETE MODEL NO:  
 BASIC MODEL NO: PL75 T-47 △  
 POLARIZATION LETTER: NONE REQD FOR STD POLARIZATION (SEE TABLE 3)  
 DASH NO (CABLE GROUP, TABLE 1): -47

5. EXAMPLE OF COMPLETE PART NO:  
 BASIC MODEL NO: 310-0002 T-47 △  
 POLARIZATION LETTER: NONE REQD FOR STD. POLARIZATION (SEE TABLE 3)  
 DASH NO (CABLE GROUP, TABLE 1): -47

- △ CLAMP NUT OMITTED
- 3. CONCENTRIC TWINAX/TRIAX 3-LUG TRB CABLE PLUG
- 2. FINISH: TFS-1A (NICKEL) △
- 1. ALL DIM ARE IN INCHES

- △ WHEN CONNECTOR IS SUPPLIED TO MILITARY PART NO. (SEE TABLE 2):
  - a) ALL PARTS NORMALLY PLATED TFS-1A OR TFS-1U (NICKEL) ARE TO BE PLATED TFS-1M (SILVER)
  - b) MARK PART WITH MILITARY PIN (SEE TABLE 2) AND "14949"
  - c) QUALITY CONFORMANCE INSPECTION SHALL BE PER MIL-C-49142 SECTION 4.5
- △ IF BEND RELIEF SPRING REQD (SEE FIG 1) ADD SUFFIX "BR" TO MODEL NO (NOT AVAILABLE WITH CABLE GROUPS -8, -10, -11, -12, -13, -13A, -14, -46, & -54)

MODEL NO	DASH NO/CABLE GROUP																
PL75 (TWINAX)	-8	-9	-A9	-10	-11	-12	-24	-25	-27	-29	-30	-45	-46	-47	-49	-54	-55
PL75 (TRIAX)	-7	-13	-13A	-14	-23	-24A	-25A	-26	-32	-33	-42	-43	-56	-57	-59	-60	-64
PL75 (QUADRIX)	-58																

INTERPRET DRAWING PER MIL-STD-100 DIMENSIONS ARE IN INCHES AND INCLUDE FINISH THICKNESS UNLESS OTHERWISE SPECIFIED		TOL: UNLESS SPECIFIED .XX ± .01 .XXX ± .003 XXXX ± .0010 ANGLE ± 1° 00' CRITICAL			
DRN	AAH	11-4-02	MATERIAL		
QUALITY	DD	11-4-02	FINISH	PL75/T/U/V/W/ X/Y/Z/S/BR	
MANUF	WV	11/5/02	SEE NOTE 8	SIZE	
APPROVED	MM	11/4/02		CAGE CODE	
PROVE FILE NO	310-0002	DO NOT SCALE DWG	SCALE	14949	
			DATE	DRAWING NO	
			1/12/66	310-0002	
			SHEET	REV	
			IC	BP	

NOTES: UNLESS OTHERWISE SPECIFIED.