

GPS Antenna for S4E39850

GPS antenna for the CFGPS card
Ultra Low-Power consumption

OVERVIEW

S4E39851 is the outside GPS antenna only for S4E39850 (CF-Type GPS Card). When S4E39850 is used at the environment that the signal from the GPS satellite is hard to receive, and the notebook PC installation, GPS signals can be received efficiently by attaching this GPS antenna.

FEATURES

Antenna part

- Receiving frequency (fc) 1575.42MHz
- Receiving polarization Clockwise circularly polarized wave
- Antenna gain 0dBi min.,3dBi typ.(Elevation angle 90 ° , with ANT plate)
- Output impedance 50 typ.
- Output VSWR 2 max.

LNA part (By the character of LNA + 3m cable + SMB connector)

- Receiving frequency width 1575.42MHz ± 1.023MHz
- Noise figure 1.1dB typ.(Vcc=2.7V,f=1575MHz)
- Gain 23dB typ.(Vcc=2.7V, at fc)
- Gain flatness 1dB max.(fc ± 1.023MHz)
- Gain rejection 23dB typ.(fo ± 50MHz)

Synthetic character

- Receiving frequency width 1575.42MHz ± 1.023MHz
- Power supply (Vcc) 2.5Vmin., 2.7Vtyp., 5.5Vmax.
- Overall gain of unit 25dBi typ.(Elevation angle 90 °),
19dBi typ.(Elevation angle 10 °)
- Power consumption 6mA typ.,8mA max.(Vcc=2.7V)
- Output impedance 50 typ.
- Output VSWR 1.5 typ.,2 max.
- Operating temperature range -30 ~ +85
- Storage temperature range -40 ~ +100

Dimensions

- Antenna section 46 × 46 × 12.5 (W × D × Hmm)
- Cable length 300 ± 5cm

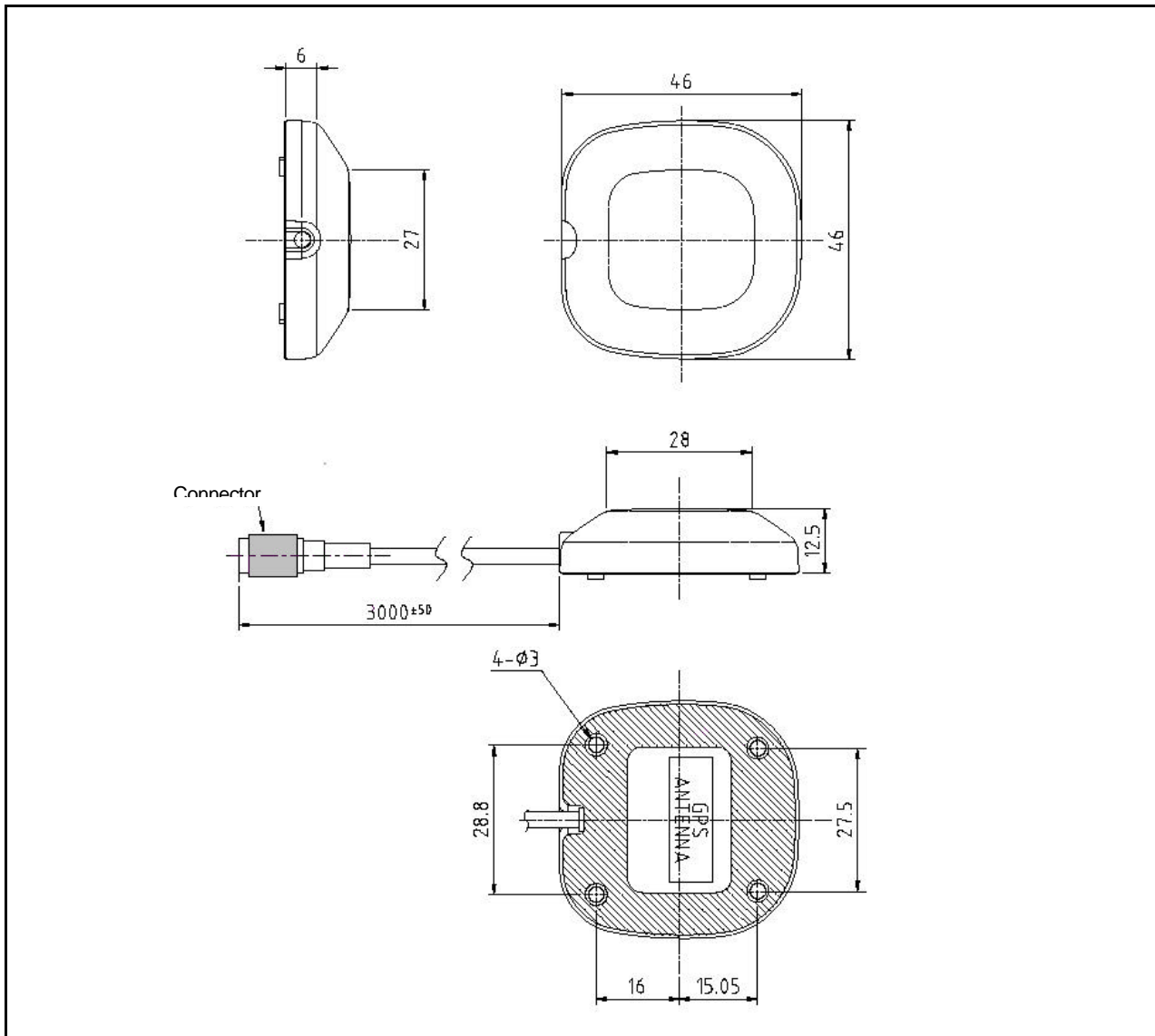
Weight.

97 ± 20gw

<Notes>

1. The measurement condition (the case without a refusal) of the above specification is as the following.
Vcc=2.7V, a temperature 25 degrees, 65% of the humidity, f=1575.42MHz.
2. This product is only OEM. It isn't sold with the EPSON brand to the consumer.

EXTRENAL DIMENTION DIAGRAM



Regarding use of this document, take the following info account:

1. The contents of this manual may be modified without prior notice.
2. This document shall not be partly or entirely used for any purpose by reproducing or copying it without Epson's permission.
3. The application circuits, programs and usage explained in this documents are for your reference only. We shall not take any responsibility for any damage or loss of third party's rights (including the Industrial property rights) resulting from them. Also, this document cannot be used as permission of rights to exercise the Industrial property rights belonging to any third party or Epson.
4. The relative sizes indicated in the characteristic tables are based on the relative sizes on the number line.
5. Of products described in the document, those applicable to the Foreign Exchange and Foreign Trade Control Act require exporting permission based on the aforementioned act.
6. The products described in this document are all for general-purpose use, not for any objective requiring extremely high liability, such as life conservation. Therefore, we Epson shall not take any responsibility if the products are for such purposes.

©SEIKO EPSON CORPORATION 2001

SEIKO EPSON CORPORATION

ELECTRONIC DEVICES MARKETING DIVISION

System Products Marketing Group
 Electronic Devices Marketing Department
 421-8 Hino-shi, Tokyo 191-8501 JAPAN
 Phone:+81-42-587-5317 Fax:+81-42-587-5186



First issue December 2001

Printed in Japan