



Raychem

TE Internal #: 283221-002

Hook Up Wire, Spec 44, 600V Voltage Rating, White with Black Stripe Wire Color, 16AWG Wire Size, Operating Temperature Range -65 – 150 °C

[View on TE.com >](#)

Wire & Cable > Hook Up Wire



Cable Type: **Spec 44**

Voltage Rating: **600 V**

Wire Color: **White with Black Stripe**

Insulation Material: **Modified Radiation Cross-linked PVDF**

Conductor Material: **Tin-Coated Copper**

**Features**

**Product Type Features**

Cable Style	Primary
Product Type	Cable
Product Classification	Cable - High Performance - Spec 44, 55 & RCW
Cable Type	Spec 44

**Configuration Features**

Number of Conductors	1
Number of Strands	19

**Electrical Characteristics**

Voltage Rating	600 V
----------------	-------

**Body Features**

Wire Color	White with Black Stripe
Insulation Material	Modified Radiation Cross-linked PVDF
Conductor Material	Tin-Coated Copper

**Dimensions**

Overall Outside Diameter	1.83 mm[.072 in]
Wire Diameter	1.83 mm[.072 in]



Conductor Diameter	1.42 mm[.056 in]
Strand Size	29 AWG
Wire Size	16 AWG

### Usage Conditions

Operating Temperature Range	-65 – 150 °C
-----------------------------	--------------

### Other

Wire Source	United States
-------------	---------------

## Product Compliance

[For compliance documentation, visit the product page on TE.com>](#)

EU RoHS Directive 2011/65/EU	Compliant
EU ELV Directive 2000/53/EC	Compliant
China RoHS 2 Directive MIIT Order No 32, 2016	No Restricted Materials Above Threshold
EU REACH Regulation (EC) No. 1907/2006	Current ECHA Candidate List: JUN 2020 (209) Candidate List Declared Against: JAN 2019 (197) Does not contain REACH SVHC
Halogen Content	Out of Scope - excluded from Halogen requirements
Solder Process Capability	Not applicable for solder process capability

#### Product Compliance Disclaimer

This information is provided based on reasonable inquiry of our suppliers and represents our current actual knowledge based on the information they provided. This information is subject to change. The part numbers that TE has identified as EU RoHS compliant have a maximum concentration of 0.1% by weight in homogenous materials for lead, hexavalent chromium, mercury, PBB, PBDE, DBP, BBP, DEHP, DIBP, and 0.01% for cadmium, or qualify for an exemption to these limits as defined in the Annexes of Directive 2011/65/EU (RoHS2). Finished electrical and electronic equipment products will be CE marked as required by Directive 2011/65/EU. Components may not be CE marked. Additionally, the part numbers that TE has identified as EU ELV compliant have a maximum concentration of 0.1% by weight in homogenous materials for lead, hexavalent chromium, and mercury, and 0.01% for cadmium, or qualify for an exemption to these limits as defined in the Annexes of Directive 2000/53/EC (ELV). Regarding the REACH Regulation, the information TE provides on SVHC in articles for this part number is based on the latest European Chemicals Agency (ECHA) 'Guidance on requirements for substances in articles' posted at this URL: <https://echa.europa.eu/guidance-documents/guidance-on-reach>

## Compatible Parts

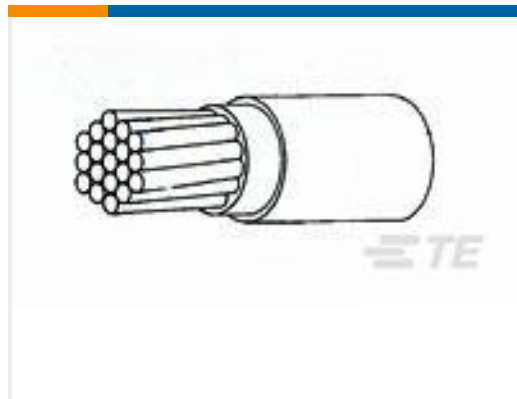


TE Model / Part # 650076-000  
D-436-38

## Customers Also Bought



TE Model / Part #492215-000  
7820D0831-0



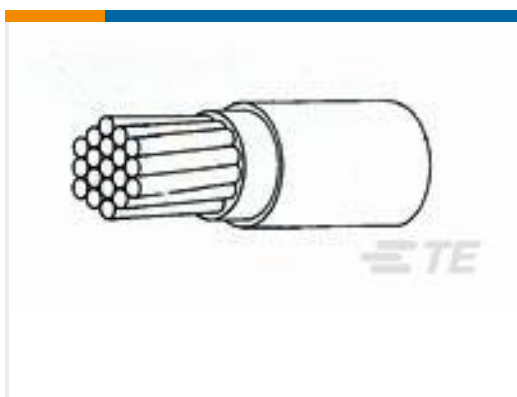
TE Model / Part #283223-000  
44A0111-16-95



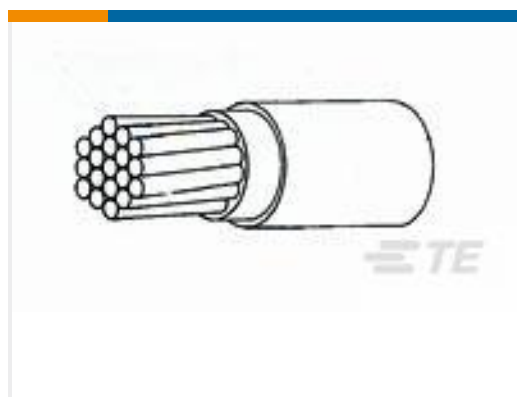
TE Model / Part #2151787-1  
OC-AT-S-FM-062F070F-020-0110



TE Model / Part #2836195-1  
OCEAN-2.0-APPLICATOR-S-090F130F



TE Model / Part #282598-002  
44A0111-16-92



TE Model / Part #282841-000  
44A0111-16-94



TE Model / Part #458253-5  
SHEAR BLADE



TE Model / Part #860267-2  
LGH-6 PIN HV PLUG ASSY



TE Model / Part #CL5427-000  
44A0111-22-977



TE Model / Part #382403-000  
44A1121-22-0/9-0

## Documents

### Product Drawings

[44A0111-16-90](#)

English

### Datasheets & Catalog Pages

[1654025\\_Sec9\\_SPEC44](#)

English

[Raychem Wire and Cable Quick Reference Guide](#)

English



---

**Product Specifications**

**Product Specification**

English