

PLEASE CHECK WWW.MOLEX.COM FOR LATEST PART INFORMATION

Part Number: [0732540100](#)
Status: **Active**
Overview: [QMA RF Connectors](#)
Description: 50 Ohms, QMA Straight Jack for LMR-100, RG-174, RG-188 and RG-316 Cable

Documents:

[Drawing \(PDF\)](#) [RoHS Certificate of Compliance \(PDF\)](#)

General

Product Family	RF/Coax Connectors
Series	73254
Overview	QMA RF Connectors
Product Name	QMA
Style	Cable
Type	Subminiature
UPC	822348131723
Wire/Cable Type	LMR-100, RG-174, RG-188, RG-316

Physical

Gender	Jack
Keying to Mating Part	None
Net Weight	5.368/g
Orientation	Straight
PCB Mounting	N/A
Packaging Type	Tray
Panel Mount	Yes
Panel Mount Method	Bulkhead
Reverse Polar	No

Electrical

Frequency	18 GHz
Impedance	50Ω
Power / Voltage	VOLTAGE: 480 Vrms@Sea Level

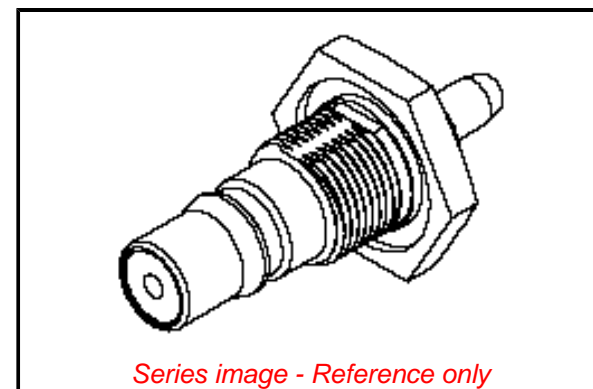
Solder Process Data

Lead-freeProcess Capability	N/A
-----------------------------	-----

Material Info

Reference - Drawing Numbers

Sales Drawing	SD-73254-010-001
---------------	------------------



Series image - Reference only

EU ELV

Not Relevant

EU RoHS

Not Reviewed

REACH SVHC

Contained Per -
ED/30/2017 (7 July
2017)
2,4-Di-tert-butyl-6-(5-
chlorobenzotriazol-2-
yl)p

Halogen-Free

Status

Low-Halogen

For more information, please visit [Contact US](#)

China ROHS	50 Image
ELV	Not Relevant
RoHS Phthalates	Not Contained

China RoHS

Search Parts in this Series

[73254 Series](#)