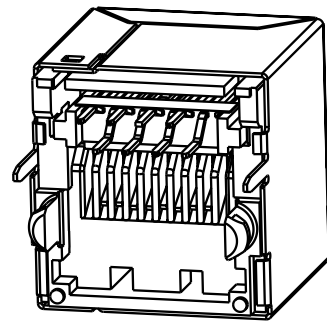
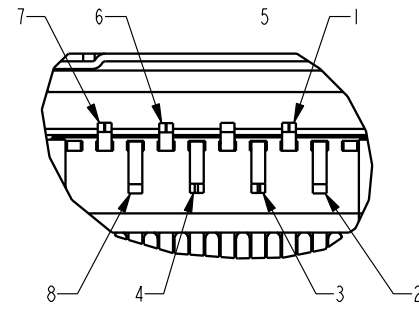


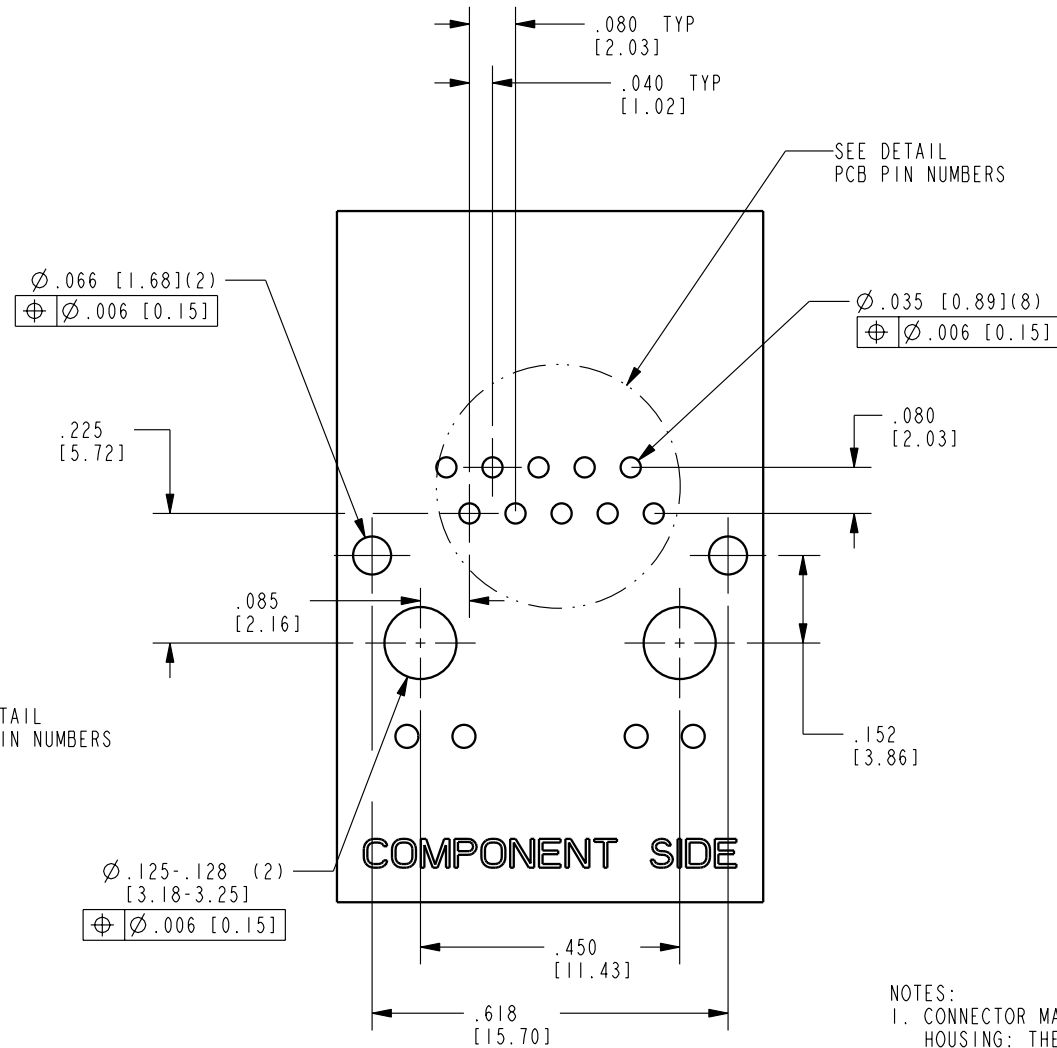
DATE	REV.	ECN	APP'D BY
2-9-16	C5	10531	TRM
10-10-17	C6	11119	TRM



ISO VIEW

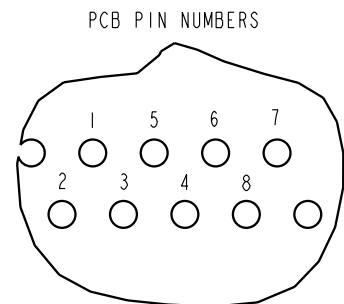


JACK PIN NUMBERS

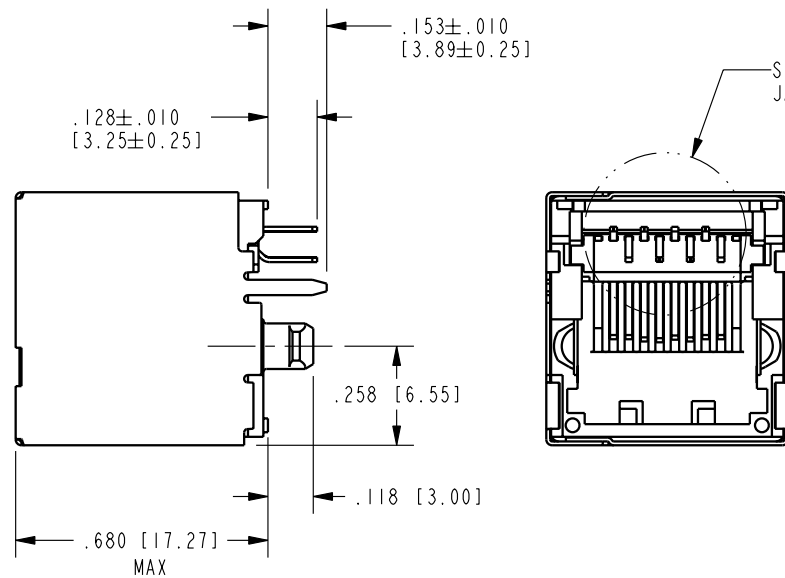
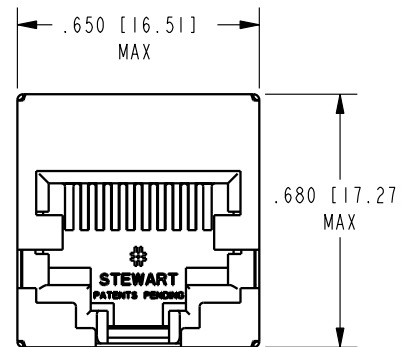


COMPONENT SIDE

ALL CENTERLINE DIMENSIONS ARE BASIC



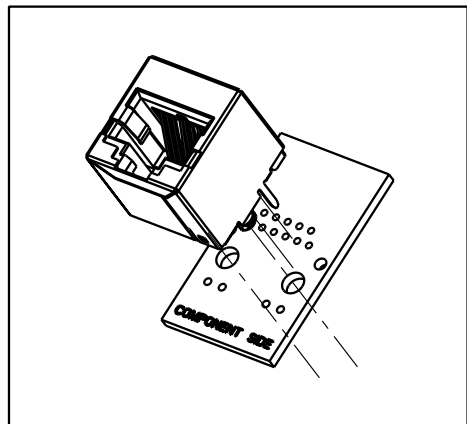
PCB PIN NUMBERS



SEE DETAIL JACK PIN NUMBERS

- NOTES:
- CONNECTOR MATERIALS:  
HOUSING: THERMOPLASTIC UL94 V-0  
CONTACTS/SHIELD: COPPER ALLOY  
SHIELD PLATING: TIN  
CONTACT PLATING: SELECTIVE PLATING IN CONTACT AREA  
SEE CHART FOR DETAILS.
  - PRODUCT DESIGNED FOR CATEGORY 6 APPLICATIONS
  - DIMENSIONS AND TOLERANCES COMPLY WITH TIA-1096 STANDARD.
  - REFERENCE PRODUCT SPECIFICATION PRO26-01

50 MICRO-INCHES [1.27um] Au OR 5 MICRO-INCHES [0.13um] Au OVER 30 MICRO-INCHES [0.76um] PdNi	SS-60000-008
CONTACT PLATING IN MATING AREA	PART NUMBER



THIRD ANGLE PROJECTION

DO NOT SCALE DRAWING  
DRAWING IS SUBJECT TO CHANGE WITHOUT NOTICE

DIMENSIONS: INCHES [METRIC]

UNLESS OTHERWISE SPECIFIED  
TOLERANCES ARE ±.005 [0.13]  
ANGLES ARE ±1°

SHEET NO.  
1 OF 1

11118 Susquehanna Trail South  
Glen Rock, PA 17327-9199  
(717) 235-7512  
<http://www.stewartconnector.com>

CATEGORY 6 SHIELDED VERTICAL JACK

THIS DRAWING AND THE SUBJECT MATTER SHOWN THEREON ARE CONFIDENTIAL AND THE PROPRIETARY PROPERTY OF STEWART CONNECTOR AND SHALL NOT BE REPRODUCED, COPIED, OR USED IN ANY MANNER WITHOUT PRIOR WRITTEN CONSENT OF STEWART CONNECTOR. ONE OR MORE U.S. PATENTS MAY APPLY TO THIS PRODUCT. FOR DETAILS, PLEASE VISIT: [HTTP://BELFUSE.COM/STEWART/STEWART\\_PATENTS/](http://BELFUSE.COM/STEWART/STEWART_PATENTS/)

DRN BY: JRC	DATE 6-18-02
APPD BY: DHG	DATE 6-18-02
DWG. NO. CT600008	REV. C6

# Mouser Electronics

Authorized Distributor

Click to View Pricing, Inventory, Delivery & Lifecycle Information:

Bel:

[SS-60000-008](#)