

DC3510 SERIES WIDE INPUT

DC-DC
2 - 3 WATTS

The VEROPOWER DC3510 series is a range of single and dual output hybridized 2 - 3W DC-DC converters in a 24 pin dual-in-line (DIL) package. It represents a cost effective replacement in a pin compatible footprint to the obsoleted 3500 Series. These miniature converters feature a wide input range making them ideally suited to battery applications.



ELECTRICAL SPECIFICATIONS

All specifications are typical at nominal line, full load and 25°C unless otherwise stated.

INPUT SPECIFICATION

Input voltage: (DC)	12V	24V	48V
Input voltage range:	9-18V	18-36V	36-72V
Input filter:	Internal		
Efficiency:	typically 78%		

OUTPUT SPECIFICATION

Output voltage (DC)	single output:	3,3V/0,6A	5,0V/0,5A	12V/0,25A
	dual output:	±12V/±0,125A		±15V/0,100A
Ripple (typical)	50mV p-p typical			
Short circuit protection:	Indefinite			

REGULATION

Line: over input range	±0,5% max.
Load: +10% - 100% I _{out}	±0,5% max.

ISOLATION

Resistance:	10 ⁹ Ω
Voltage:	1000 VDC for 1ms

ENVIRONMENTAL SPECIFICATION

Temperature - operating:	-25°C to +71°C full power
Temperature - storage:	-40°C min. to +100°C max.

PHYSICAL SPECIFICATION

Dimensions (mm):	31,8 x 20,3 x 12,7
Weight:	15g max.
Case material:	non-conductive black plastic
Flammability:	UL94 V-0

FEATURES

- Wide input 2:1
- SMD Technology
- 24 pin DIL package
- High efficiency - up to 84%
- Regulated outputs
- Input/Output isolation
- 71°C full power operation
- MTBF >850000 hours (MIL-HDBK-217F)
- **24 MONTH WARRANTY**

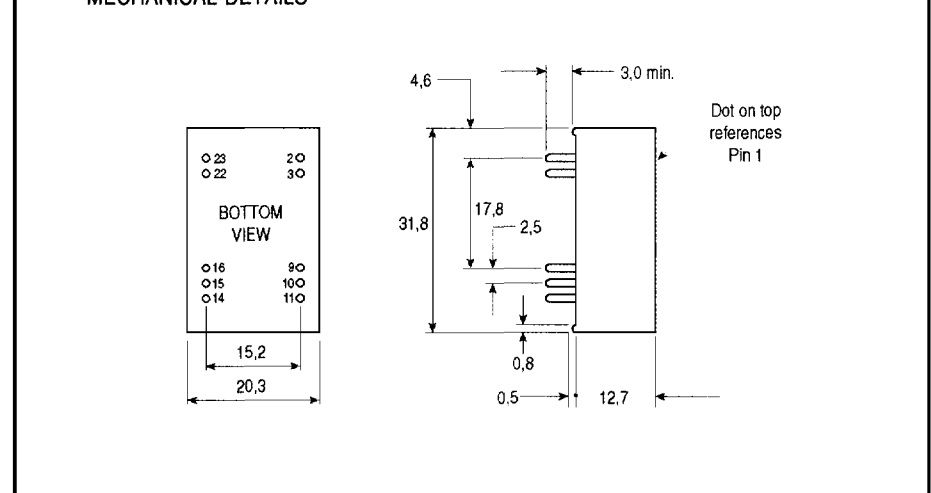
Note 1. Reverse voltage protection can be implemented by placing a quick blow fuse in the positive input rail.

250mA at 48 Vin
500mA at 24 Vin
1000mA at 12 Vin

PIN ALLOCATION

Pin	Single Output	Dual Output
2,3	-V in	-V in
9	no pin	Common
11	no pin	-V out
14	+V out	+V out
16	-V out	Common
22,23	+V in	+V in

MECHANICAL DETAILS



VEROPOWER DC3510 SERIES

Ordering information

Vout DC	Iout	Input Voltage		
		12 VDC	24 VDC	48V
3,3V	0,6A	153-3511E	153-3516G	153-3521L
5,0V	0,5A	153-3512A	153-3517C	153-3522G
12V	0,25A	153-3513H	153-3518K	153-3523C
±12V	±0,125A	153-3514D	153-3519F	153-3524K
±15V	±0,100A	153-3515L	153-3520D	153-3525F