

HIGH FREQUENCY COMMON MODE CHOKES

NEW!

Low Cost Encapsulated Package

Toroidal Construction

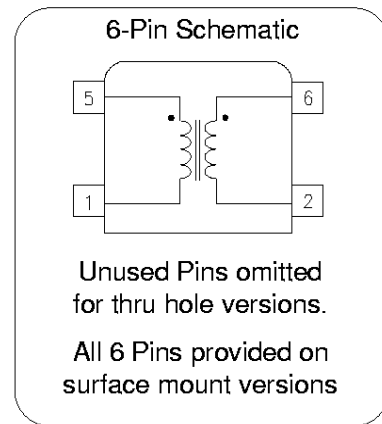
Isolation 1500 V_{RMS} Minimum

Materials used in the construction of these parts are UL 94 VO and are rated at 130° C or better

Surface Mount parts available in Tape & Reel

Electrical Specifications⁽¹⁾ at 25°C

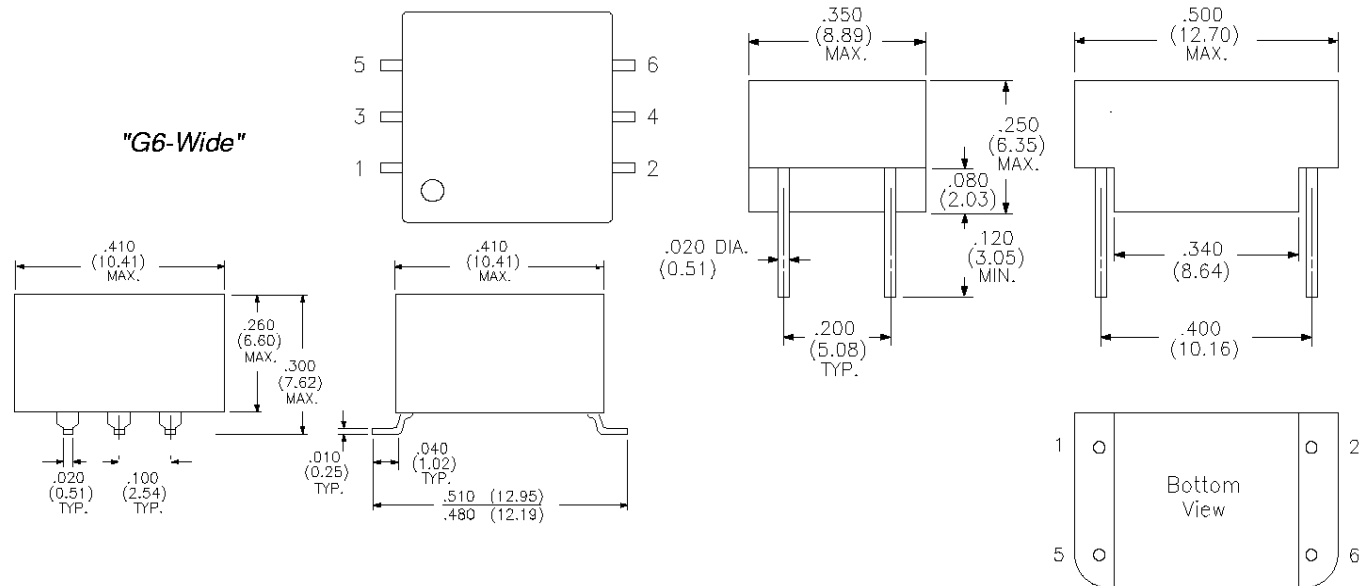
Thru Hole P/N	Surface Mount P/N	L ⁽²⁾ Min. (μH)	DCR Max. (Ω)	L _L Max. (μH)	C _{ww} Max. (pF)	SRF Typ. (MHz)
L-45001	L-45051	10000	1.6	40	11	0.98
L-45002	L-45052	7000	1.4	35	10	1.25
L-45003	L-45053	5000	1.2	30	9	1.80
L-45004	L-45054	2500	1.0	25	8	2.70
L-45005	L-45055	1500	0.9	12	8	4.10
L-45006	L-45056	1000	0.8	11	7	5.20
L-45007	L-45057	750	0.7	10	6	6.60
L-45008	L-45058	500	0.6	9	5	7.70
L-45009	L-45059	250	0.8	10	6	>13
L-45010	L-45060	100	0.7	8	5	>13
L-45011	L-45061	500	0.6	6	4	>13
L-45012	L-45062	25	0.5	4	3	>13



1. I_{MAX} is 32 mA for all parts @ 500 cm/A
2. Tested @ 10KHz & 100mV

Package Physical Dimensions in Inches (mm)

"T6" - Unused Pins Removed



Specifications are subject to change without notice

FILTER - 5/97

HIGH FREQUENCY COMMON MODE CHOKES

NEW!

Low Cost Encapsulated Package

Materials used in the construction of these parts are UL 94 VO and are rated at 130° C or better

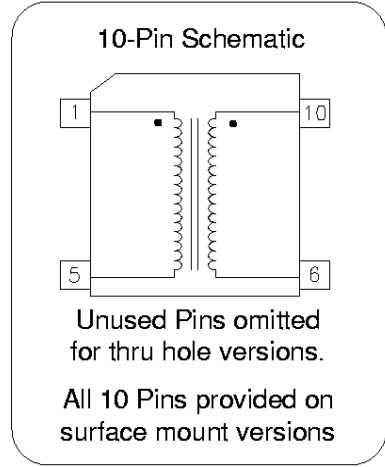
Toroidal Construction

Surface Mount parts available in Tape & Reel

Isolation 1500 V_{RMS} Minimum

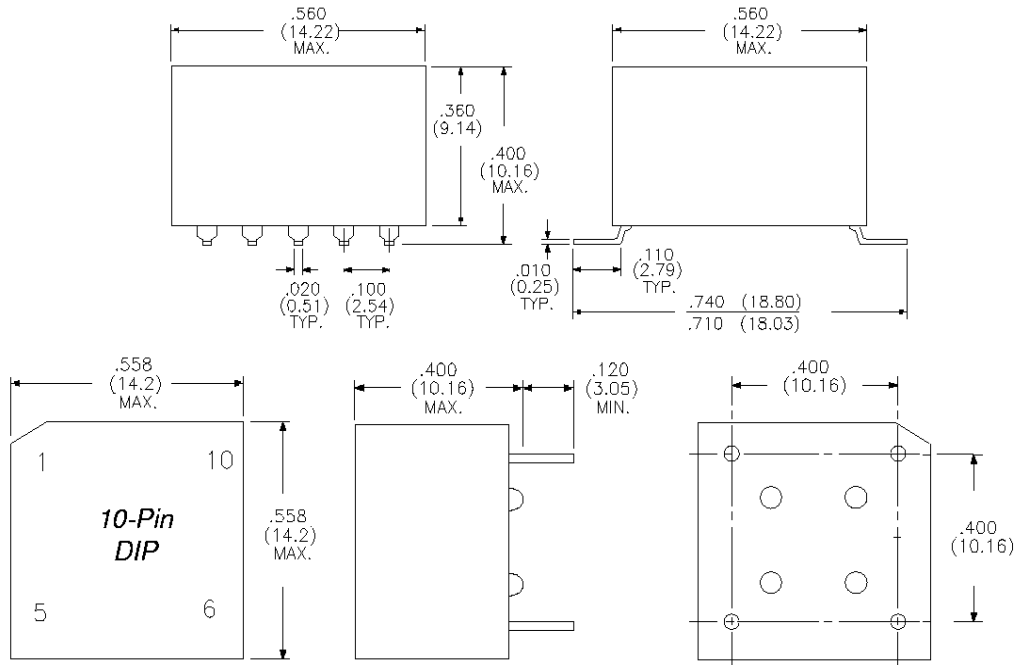
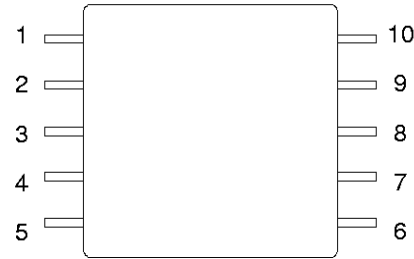
Electrical Specifications⁽¹⁾ at 25°C

Thru Hole P/N	Surface Mount P/N	L ⁽²⁾ Min. (μH)	DCR Max. (Ω)	L _L Max. (μH)	C _{www} Max. (pF)	SRF Typ. (MHz)
L-45013	L-45063	20000	2.5	100	30	0.4
L-45014	L-45064	15000	2.2	75	25	0.5
L-45015	L-45065	10000	2.0	65	20	0.7
L-45016	L-45066	5000	1.5	50	15	1.2
L-45017	L-45067	2500	1.3	40	13	2.0
L-45018	L-45068	1500	1.0	35	11	2.7
L-45019	L-45069	1000	0.8	30	8	3.2
L-45020	L-45070	750	0.6	25	5	3.5
L-45021	L-45071	500	1.0	35	12	3.8
L-45022	L-45072	250	0.8	25	8	6.1
L-45023	L-45073	100	0.6	20	6	9.8
L-45024	L-45074	50	0.4	10	4	>13



- I_{MAX} is 32 mA for all parts @ 500 cm/A
- Tested @ 10KHz & 100mV

10 Pin
Surface Mount
Package



Specifications are subject to change without notice

FILTER - 5/97