

Omnidirectional Antenna Embedded Antenna Model: 506051E

Application - WIRELESS

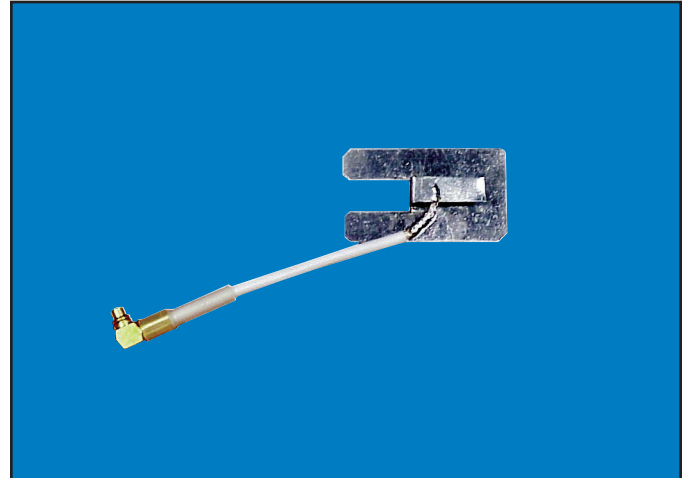
- ◆ Wireless LAN
- ◆ IEEE 802.11
- ◆ Bar Code Scanners
- ◆ Point-of-Purchase RFID

Benefits

- ◆ Custom Design and Fit
- ◆ Low Cost
- ◆ High Volume

Features

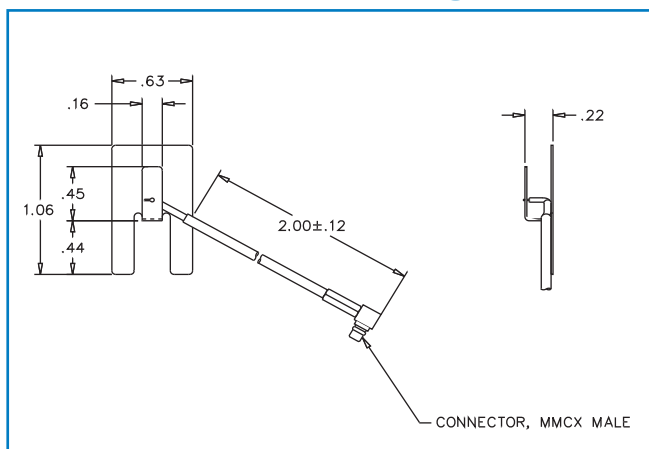
- ◆ Small Size
- ◆ Light Weight
- ◆ Easy Assembly Placement



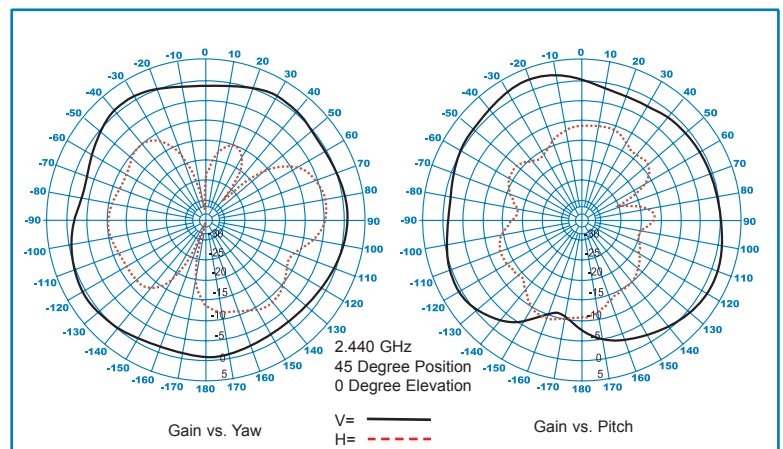
Specifications

Parameter	Specification	Unit
Frequency	5.250 - 5.350	GHz
VSWR	2.0:1	-
Gain	-2 dB Nominal	dB
Beamwidth 3dB	N/A	Degrees
Polarization	Linear	-
Impedance	50	Ohms
Connectors	MMCX	-
Weight	.002	kg

Drawing



Test Data



Note: Performance may vary per application.